



Chipsmall Limited consists of a professional team with an average of over 10 year of expertise in the distribution of electronic components. Based in Hongkong, we have already established firm and mutual-benefit business relationships with customers from,Europe,America and south Asia,supplying obsolete and hard-to-find components to meet their specific needs.

With the principle of “Quality Parts,Customers Priority,Honest Operation,and Considerate Service”,our business mainly focus on the distribution of electronic components. Line cards we deal with include Microchip,ALPS,ROHM,Xilinx,Pulse,ON,Everlight and Freescale. Main products comprise IC,Modules,Potentiometer,IC Socket,Relay,Connector.Our parts cover such applications as commercial,industrial, and automotives areas.

We are looking forward to setting up business relationship with you and hope to provide you with the best service and solution. Let us make a better world for our industry!



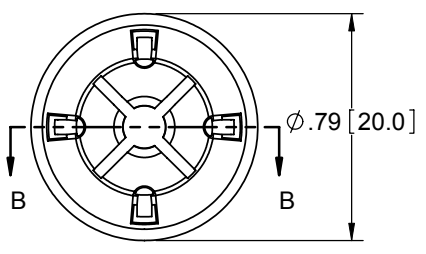
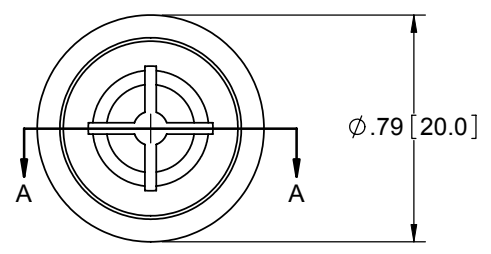
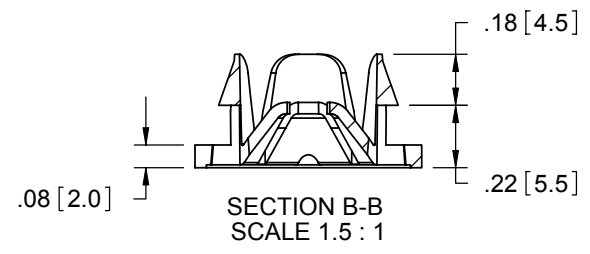
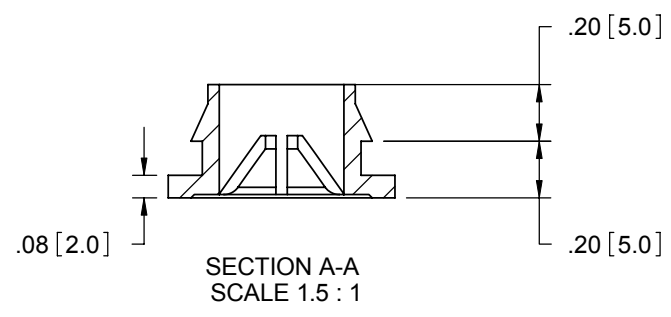
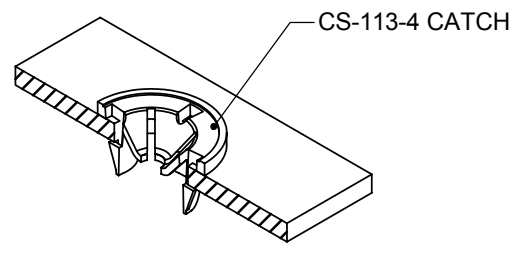
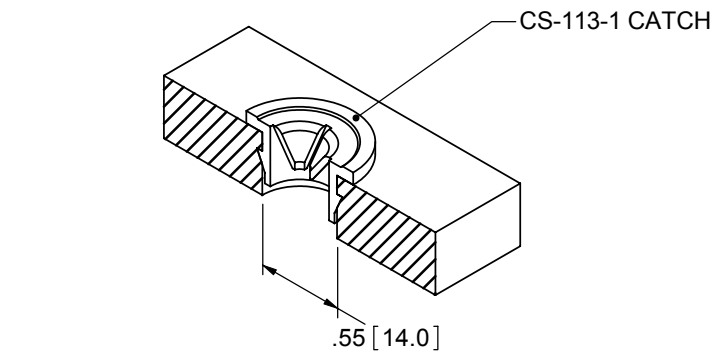
## Contact us

Tel: +86-755-8981 8866 Fax: +86-755-8427 6832

Email & Skype: info@chipsmall.com Web: www.chipsmall.com

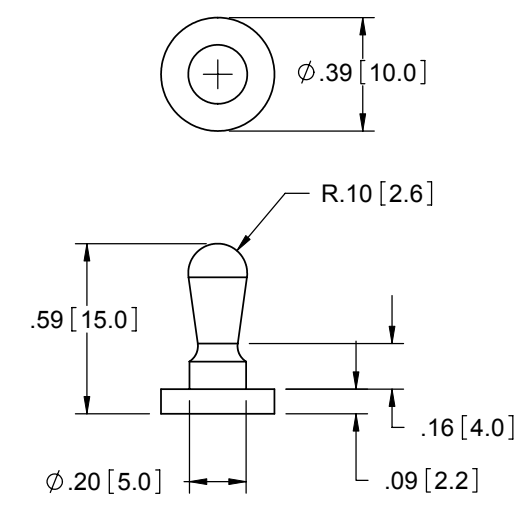
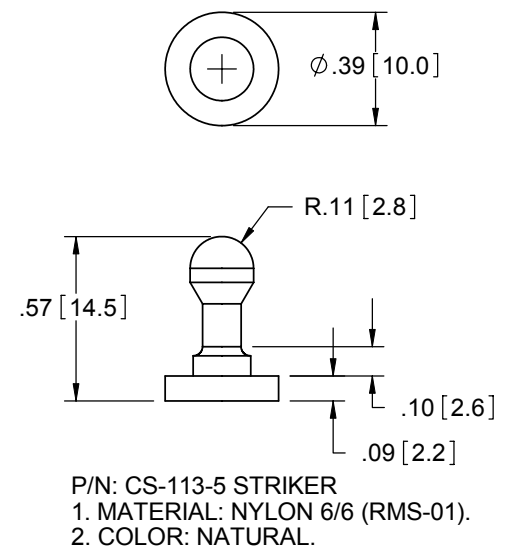
Address: A1208, Overseas Decoration Building, #122 Zhenhua RD., Futian, Shenzhen, China



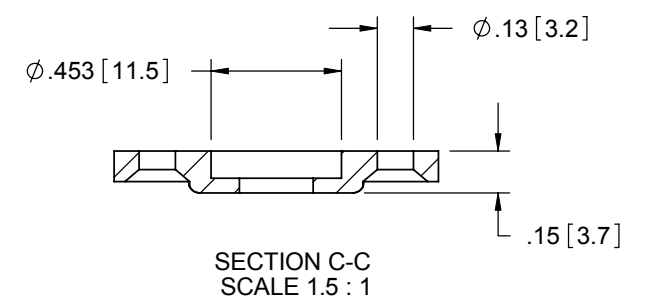
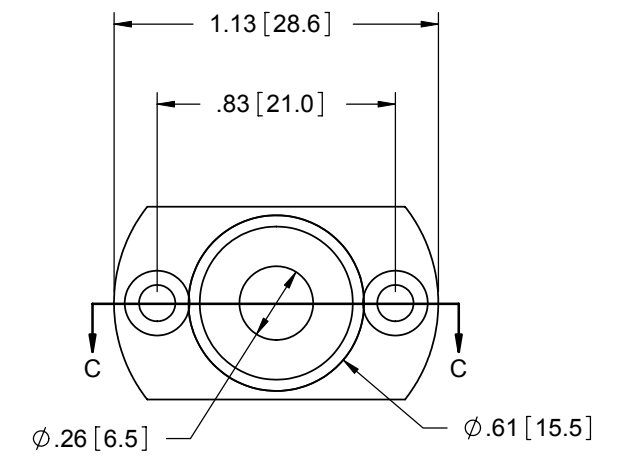
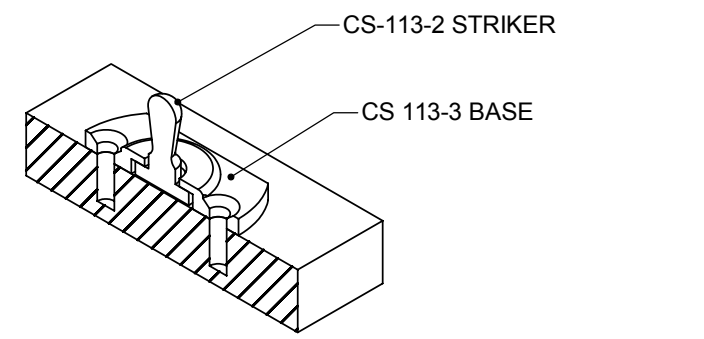


P/N: CS-113-1 CATCH  
 1. MATERIAL: SUPERTOUGH NYLON 6/6 (RMS-73).  
 2. COLOR: BLACK.

P/N: CS-113-4 CATCH  
 1. MATERIAL: NYLON 6/6 (RMS-159).  
 2. COLOR: NATURAL.



P/N: CS-113-2 STRIKER  
 1. MATERIAL: SUPERTOUGH NYLON 6/6 (RMS-73).  
 2. COLOR: BLACK.



P/N: CS-113-3 BASE  
 1. MATERIAL: ACETAL (RMS-39).  
 2. COLOR: BLACK.

TITLE: <b>CATCH AND STRIKERS</b>				DWG IN IN [MM]		FINAL	
E SEE ECN #1312 FOR CHANGES		SK 04/11/07		FILE #: CS SERIES		DWN: J.B	
D ADDED CS-113-5 PART, SEE ECN 866		SM 10/12/04		SHEET: 1 OF 1		APP: -	
C SEE ECN #801 FOR CHANGES		SM 06/14/04		SHEET SIZE: B		DT: 08/20/96	
B SEE ECN #521 FOR CHANGES		SM 11.14.02		RE: RICHCO, INC		CHKD: -	
A UPDATED PRINT AND CHANGED FILE NO.		SM 03.12.02		RICHCO, INC.		PART #	
REV. DESCRIPTION		ENGR. DATE		ENG@RICHCO-INC.COM		SEE DRAWING	
				(773) 539-4060		PRINT TYPE	
						CA	

E	SEE ECN #1312 FOR CHANGES	SK	04/11/07
D	ADDED CS-113-5 PART, SEE ECN 866	SM	10/12/04
C	SEE ECN #801 FOR CHANGES	SM	06/14/04
B	SEE ECN #521 FOR CHANGES	SM	11.14.02
A	UPDATED PRINT AND CHANGED FILE NO.	SM	03.12.02
REV.	DESCRIPTION	ENGR.	DATE

CREATED USING SOLIDWORKS  
 TOLERANCES UNLESS NOTED  
 .XX=±.010  
 .XXX=±.005  
 FRAC.=±1/64  
 ANG.=±1°