



Chipsmall Limited consists of a professional team with an average of over 10 year of expertise in the distribution of electronic components. Based in Hongkong, we have already established firm and mutual-benefit business relationships with customers from,Europe,America and south Asia,supplying obsolete and hard-to-find components to meet their specific needs.

With the principle of “Quality Parts,Customers Priority,Honest Operation,and Considerate Service”,our business mainly focus on the distribution of electronic components. Line cards we deal with include Microchip,ALPS,ROHM,Xilinx,Pulse,ON,Everlight and Freescale. Main products comprise IC,Modules,Potentiometer,IC Socket,Relay,Connector.Our parts cover such applications as commercial,industrial, and automotives areas.

We are looking forward to setting up business relationship with you and hope to provide you with the best service and solution. Let us make a better world for our industry!



Contact us

Tel: +86-755-8981 8866 Fax: +86-755-8427 6832

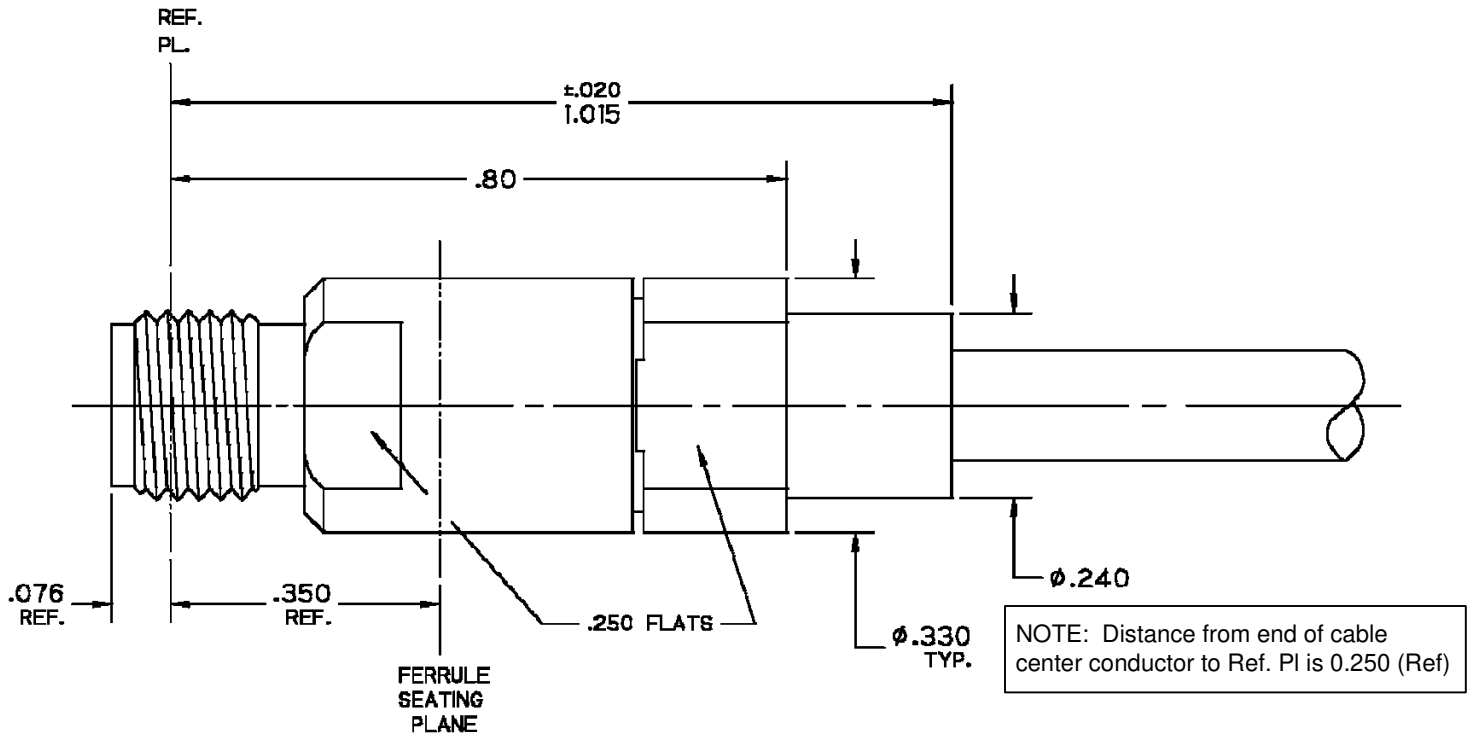
Email & Skype: info@chipsmall.com Web: www.chipsmall.com

Address: A1208, Overseas Decoration Building, #122 Zhenhua RD., Futian, Shenzhen, China





2.92mm Jack
 Solder Clamp for IW1501 Cable



NOTES:

1.0 Materials

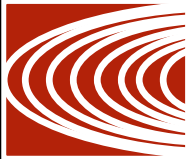
- 1.1 Body and Clamp Nut: Steel. Corrosion Resistant per ASTM-A582. UNS No. S30300.
- 1.2 Center Conductor: Beryllium Copper per ASTM-B196. UNS C17300.
- 1.3 Solder Ferrule: Brass per ASTM-B16. UNS C36000.
- 1.4 O-Ring: Silicone Rubber per A-A-59588.
- 1.5 Dielectric Bead: Polychlorotrifluorethylene (PCTFE) per ASTM-D1430-95. (KEL-F)

2.0 Finishes

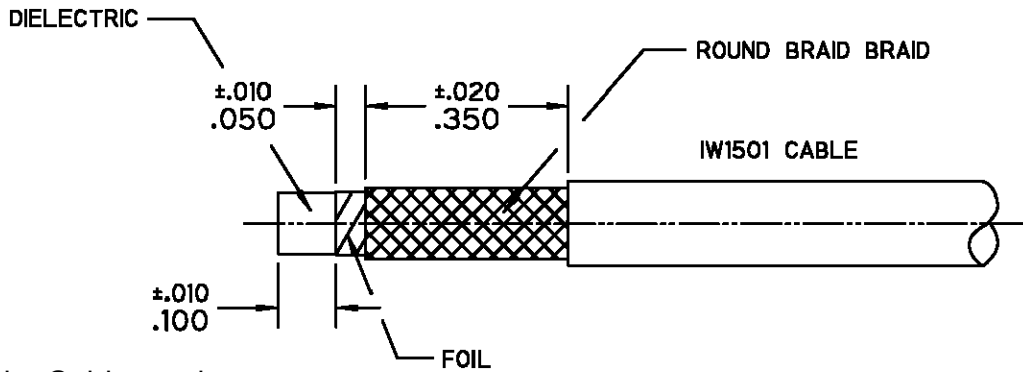
- 2.1 Center Contact and Solder Ferrule: Gold Plate per ASTM-B488 50 Microinches Min. thickness over Electrolytic Nickel Plate per ASTM-B689 50 Microinches Min. thickness.
- 2.2 Body and Clamp Nut: Passivated per SAE-AMS-2700.
- 2.3 O-Ring and Dielectric Bead: None.

3.0 Interface: 2.92mm Socket per CC-2.92mm-SOC. (Meets IEEE-STD-P287. Figure G.4. Except conductor tolerances and contact recession).

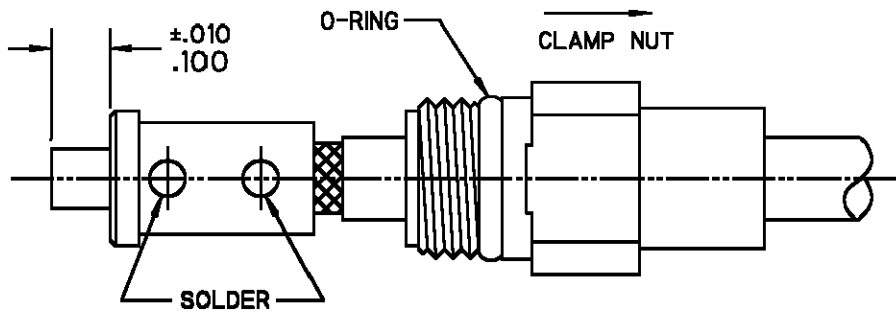




2.92mm Jack Solder Clamp for IW1501 Cable

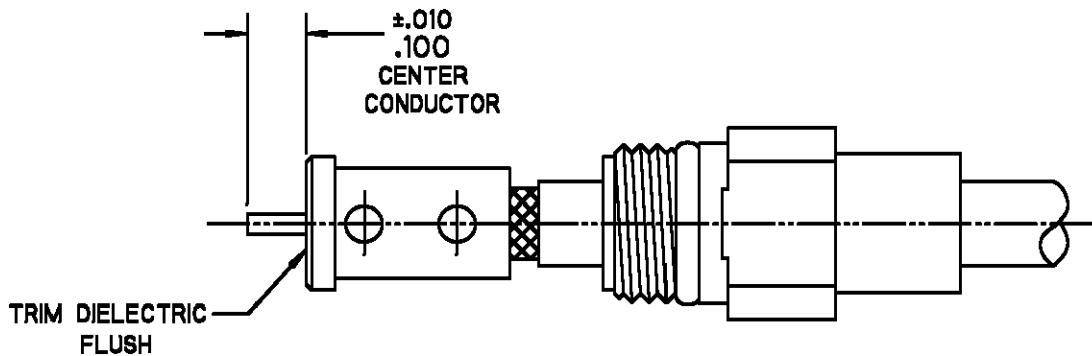


Step 1 1.1 Trim Cable as shown.



2.1 Install O-ring onto clamp nut where shown and slide clamp nut over cable in orientation shown.

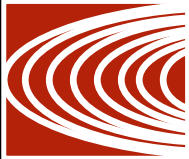
Step 2 2.2 Insert cable into solder ferrule until seated and solder to cable braids where shown.



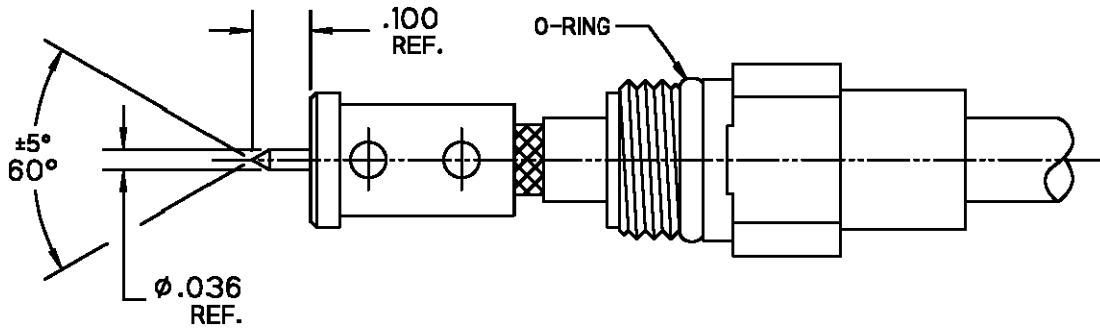
3.1 Trim dielectric flush with seating surface of solder ferrule.

Step 3 3.2 Verify center conductor dimension shown from ferrule seating surface.

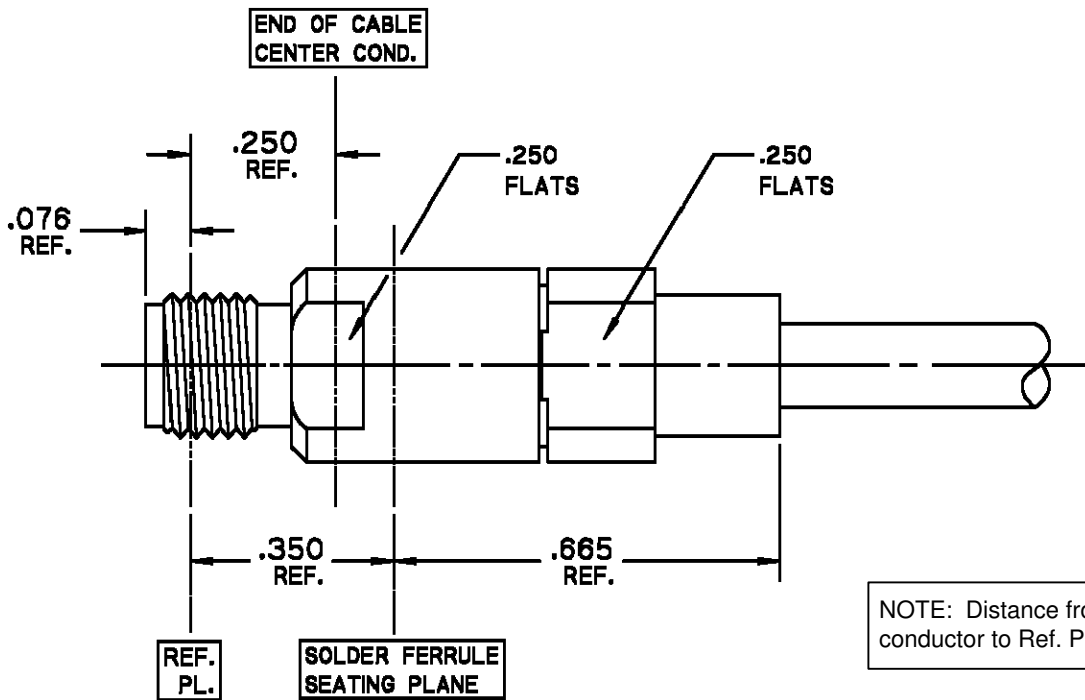




2.92mm Jack
 Solder Clamp for IW1501 Cable



Step 4 4.1 Point cable center conductor as shown.



Step 5 5.1 Insert cable sub-assembly into connector until seated and tighten clamp nut to 25-35 in-lbs.

Product Control:

Crystek Part Number:	CS-FF-MJB	Release Date:	04-Jan-11
Revision Level:	A	Responsible:	K. Piotrowicz

