



Chipsmall Limited consists of a professional team with an average of over 10 year of expertise in the distribution of electronic components. Based in Hongkong, we have already established firm and mutual-benefit business relationships with customers from,Europe,America and south Asia,supplying obsolete and hard-to-find components to meet their specific needs.

With the principle of "Quality Parts,Customers Priority,Honest Operation,and Considerate Service",our business mainly focus on the distribution of electronic components. Line cards we deal with include Microchip,ALPS,ROHM,Xilinx,Pulse,ON,Everlight and Freescale. Main products comprise IC,Modules,Potentiometer,IC Socket,Relay,Connector.Our parts cover such applications as commercial,industrial, and automotives areas.

We are looking forward to setting up business relationship with you and hope to provide you with the best service and solution. Let us make a better world for our industry!



Contact us

Tel: +86-755-8981 8866 Fax: +86-755-8427 6832

Email & Skype: info@chipsmall.com Web: www.chipsmall.com

Address: A1208, Overseas Decoration Building, #122 Zhenhua RD., Futian, Shenzhen, China



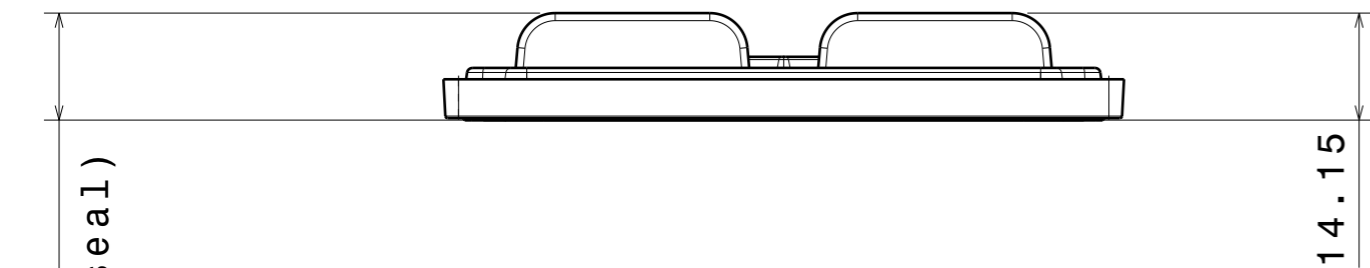
DETAILS

Product Number	C13476_STRADA-FT
Family	Strada
Type	Lens
Color	clear
Diameter	15,4 x 19,6 mm
Height	8,2 mm
Style	rectang
Optic Material	PMMA
Holder Material	
Fastening	screw, pin
Status	production ready
ROHS Compliant	Yes
Date Updated	25/10/2013

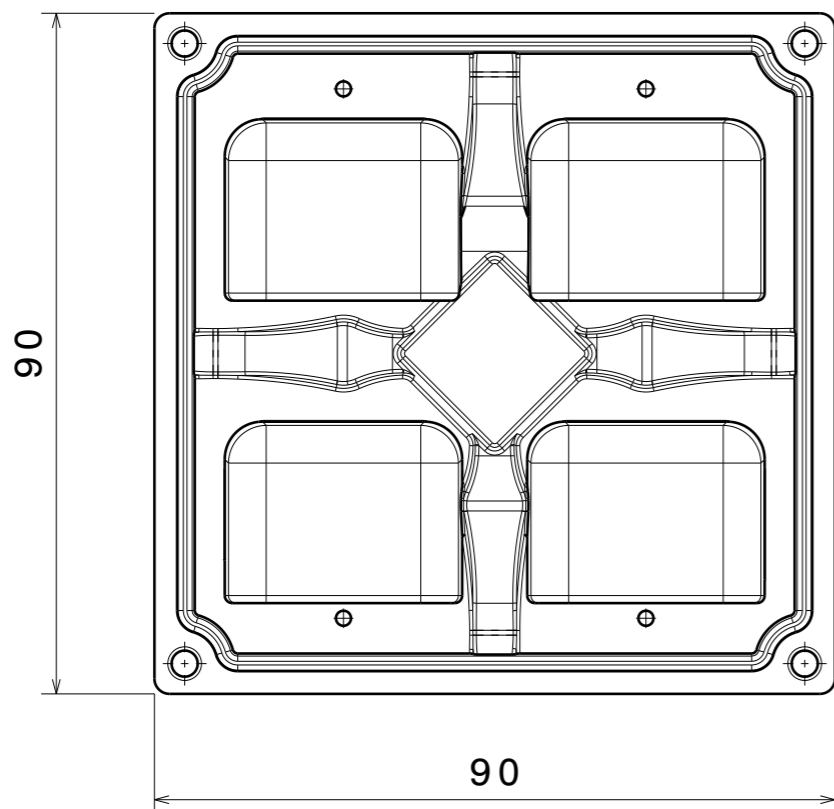
OPTICAL PROPERTIES

LED	Viewing Angle	Light Beam	Efficiency	cd/lm	Connector
XT-E	asymmetric deg	Asymmetric	91 %	0.530	-
XP-G2	asymmetric deg	Asymmetric	90 %	0.540	-
LH351B	Asymmetric deg	Asymmetric	91 %	0.510	-
LH351Z	asymmetric deg	Asymmetric	92 %	0.550	-



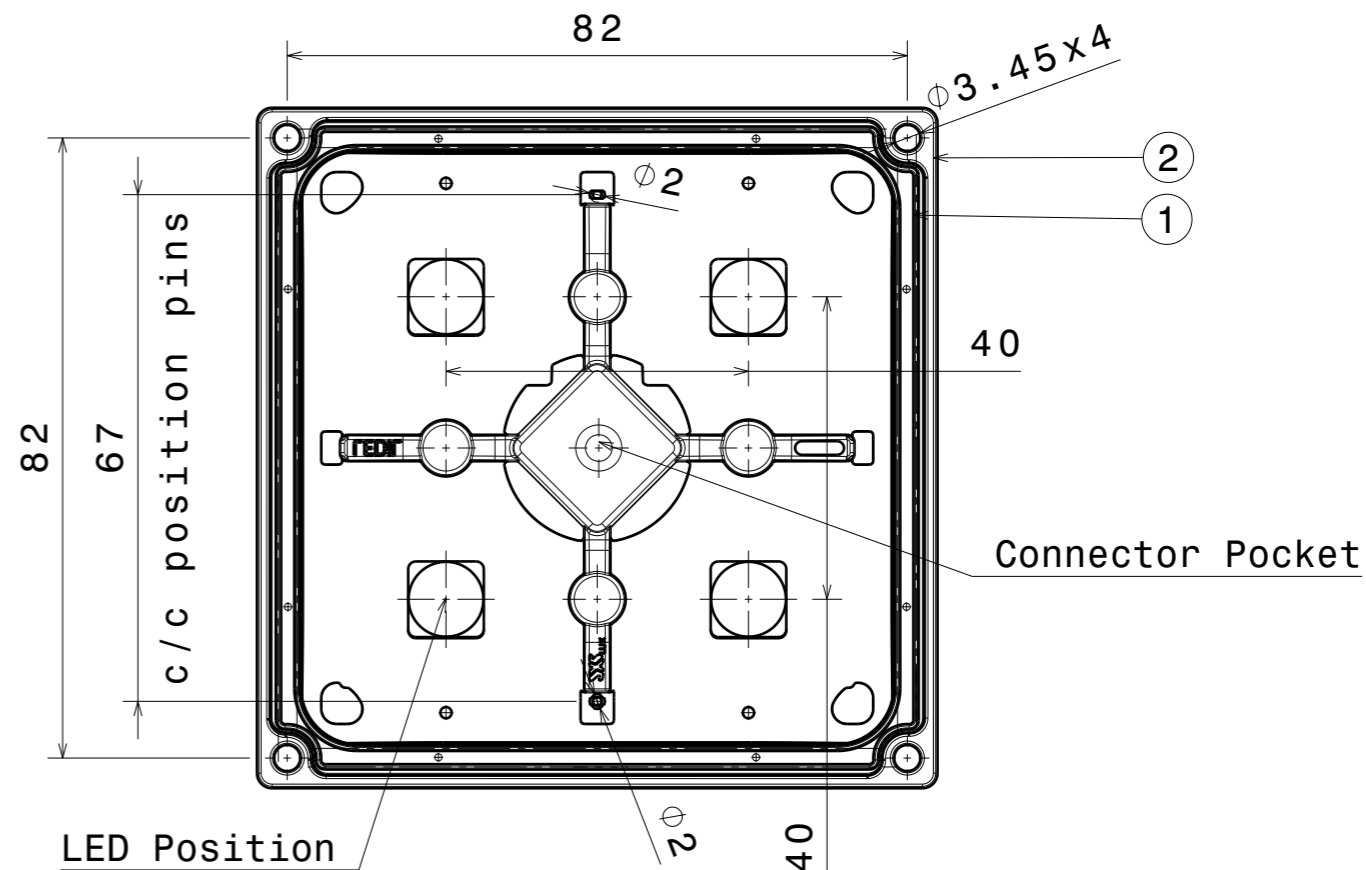
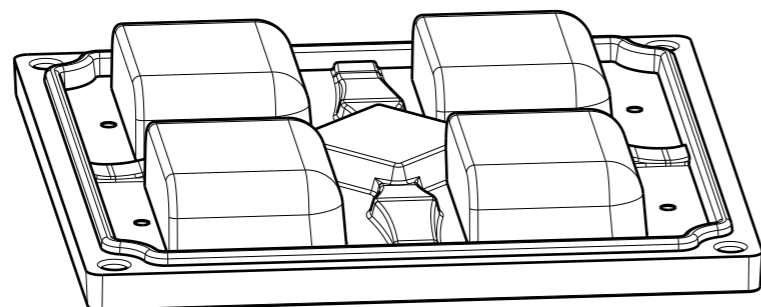


13.73
(incompressible seal)



90

90



LED Position

c/c position pins

Connector Pocket

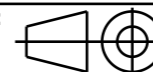
INDEX	PART NO	DESCRIPTION	MATERIAL	COLOUR
1	C14631	STRADA-2X2MX-SEAL	RBB2030-40	
2	C15390	STRADA-2X2MX-T2-S	PMMA 8N	

Tolerances if not otherwise shown
According to DIN ISO 2768-1
Linear measures:
up to 30mm class M, otherwise class C
According to DIN ISO 2768-2
Form and position: class L



LediL Oy
Salorankatu 10
FIN 24240 SALO
Finland

THIRD ANGLE PROJECTION:



DRAWING TITLE

CS15389_STRADA-2X2MX-T2-S

This drawing is the property
of LEDiL Oy. It may not be
reproduced, copied or
communicated without a written
agreement with LEDiL Oy.

SIZE PART NUMBER

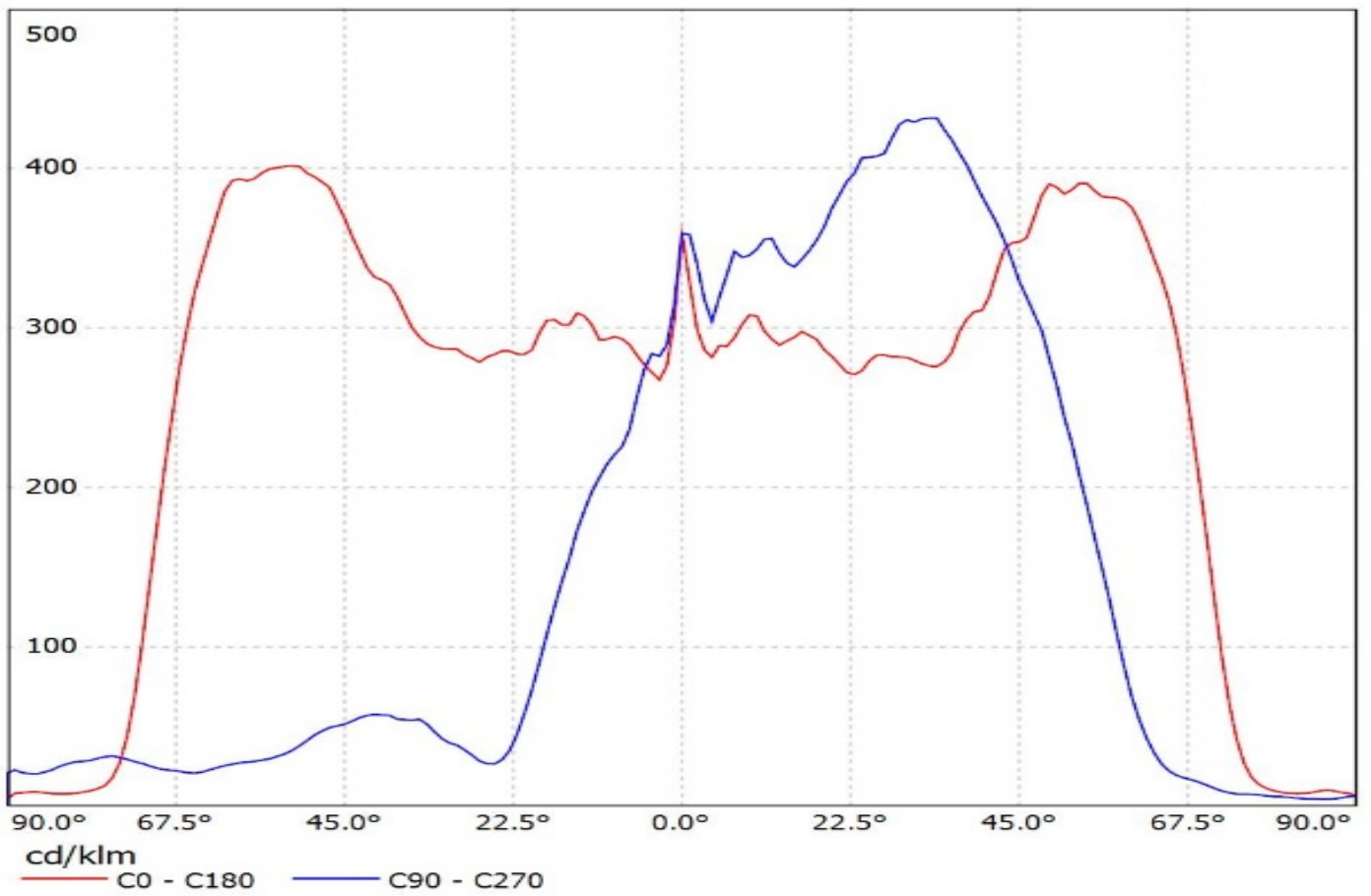
A3

CS14841

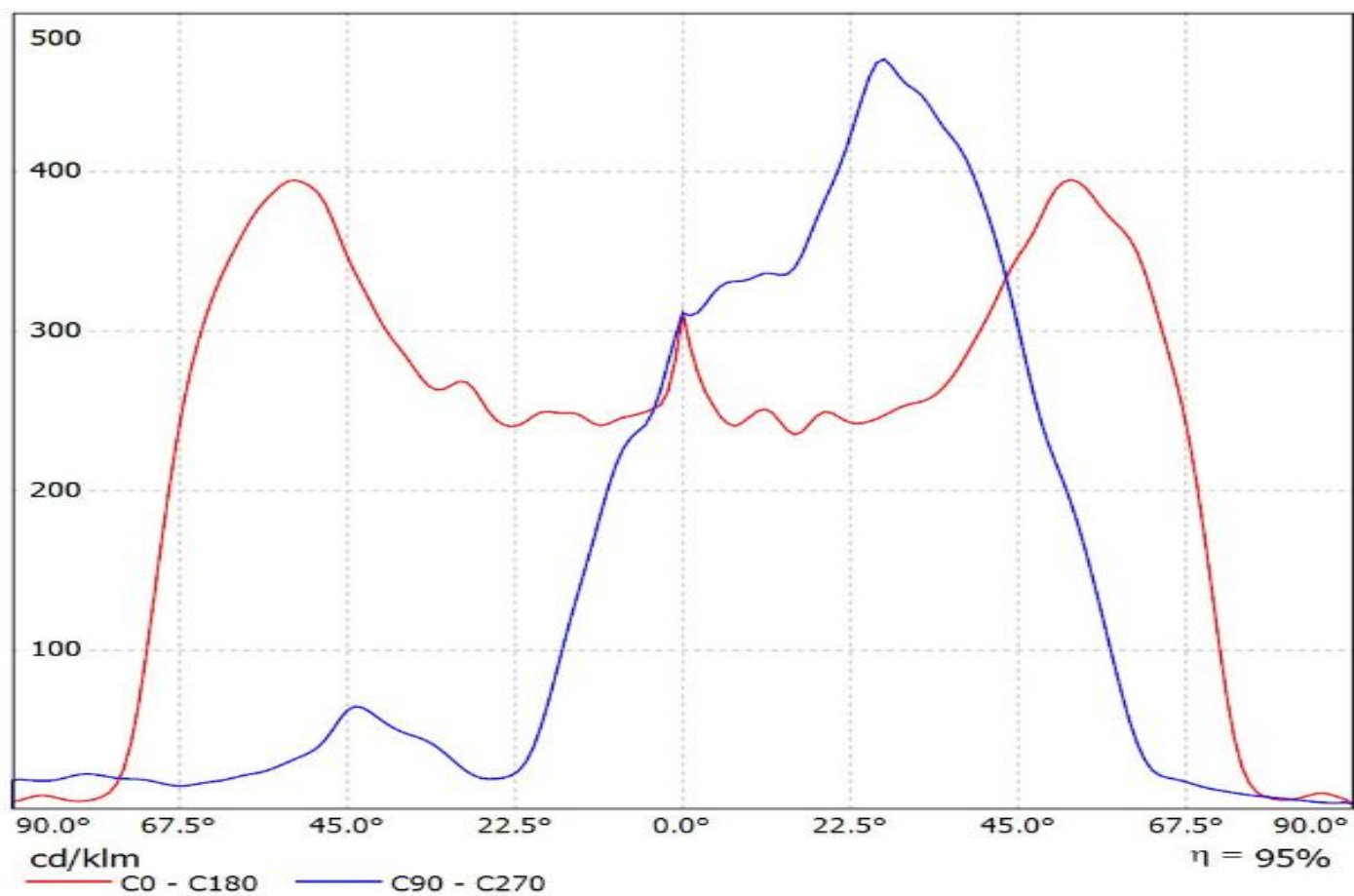
SCALE 1:1 WEIGHT -

SHEET 1/1

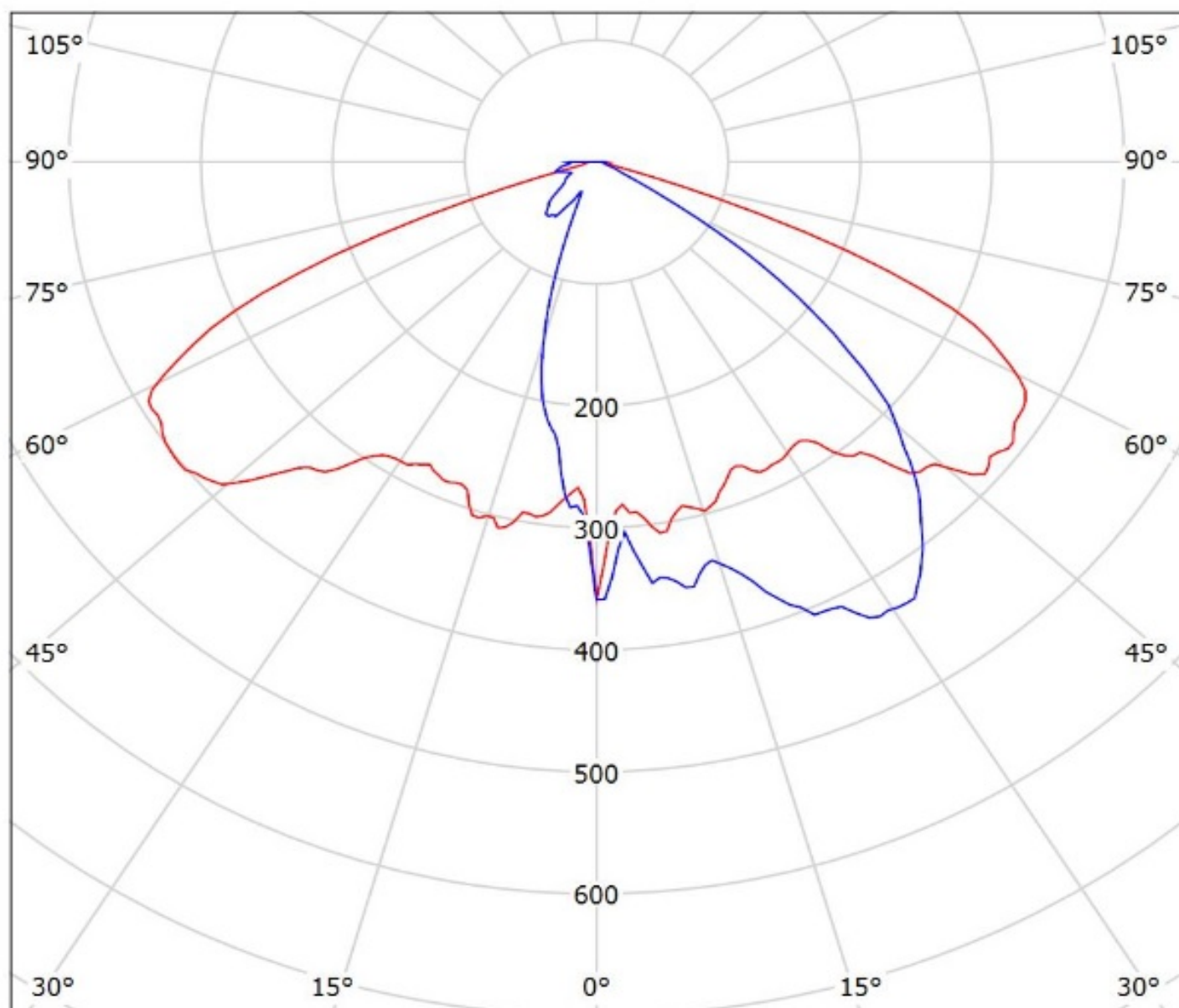
Luminaire: Ledil Oy CS15389_STRADA-2X2MX-T2-S_(XHP70)_SIMULATED
Lamps: 1 x Cree XHP70 - 1.00 W



Luminaire: Ledil Oy CS15389_STRADA-2X2MX-T2-S_LUXEON_MX_SIMULATED
Lamps: 1 x LUXEON MX



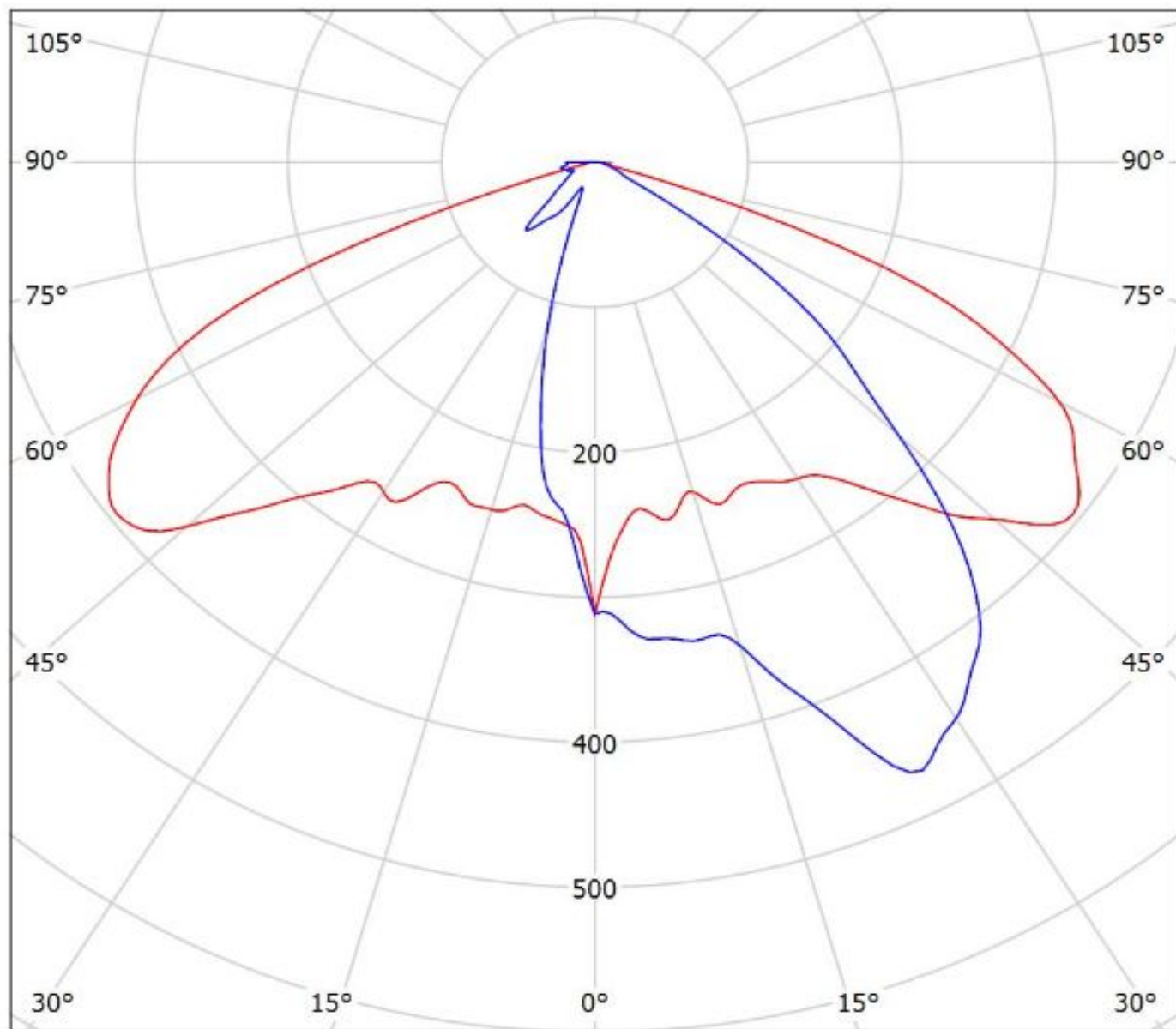
Luminaire: Ledil Oy CS15389_STRADA-2X2MX-T2-S_(XHP70)_SIMULATED
Lamps: 1 x Cree XHP70 - 1.00 W



cd/klm

— C0 - C180 — C90 - C270

Luminaire: Ledil Oy CS15389_STRADA-2X2MX-T2-S_LUXEON_MX_SIMULATED
Lamps: 1 x LUXEON MX



cd/klm

— C0 - C180 — C90 - C270

$\eta = 95\%$

NOTE: The typical divergence will be changed by different color, chip size and chip position tolerance. The typical total divergence is the full angle measured where the luminous intensity is half of the peak value.