



Chipsmall Limited consists of a professional team with an average of over 10 year of expertise in the distribution of electronic components. Based in Hongkong, we have already established firm and mutual-benefit business relationships with customers from,Europe,America and south Asia,supplying obsolete and hard-to-find components to meet their specific needs.

With the principle of “Quality Parts,Customers Priority,Honest Operation,and Considerate Service”,our business mainly focus on the distribution of electronic components. Line cards we deal with include Microchip,ALPS,ROHM,Xilinx,Pulse,ON,Everlight and Freescale. Main products comprise IC,Modules,Potentiometer,IC Socket,Relay,Connector.Our parts cover such applications as commercial,industrial, and automotives areas.

We are looking forward to setting up business relationship with you and hope to provide you with the best service and solution. Let us make a better world for our industry!



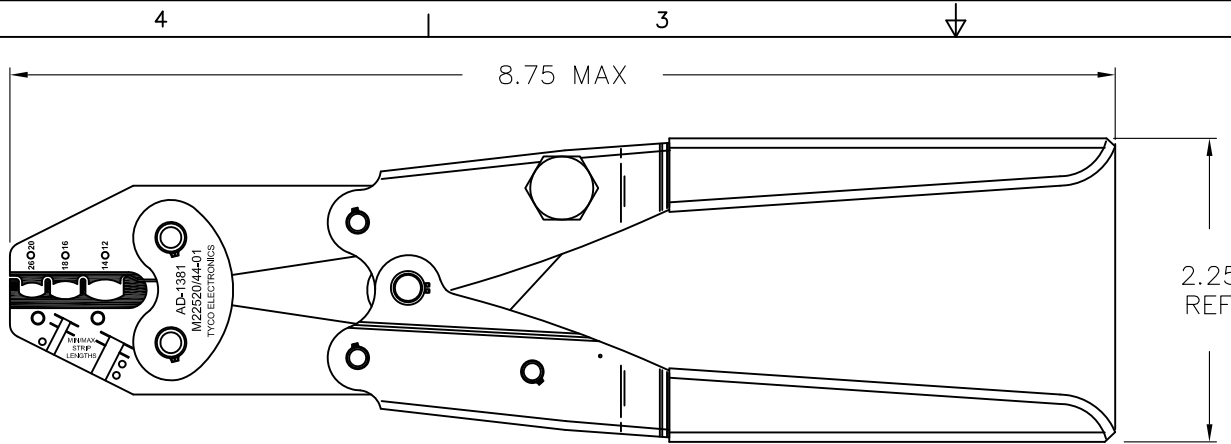
Contact us

Tel: +86-755-8981 8866 Fax: +86-755-8427 6832

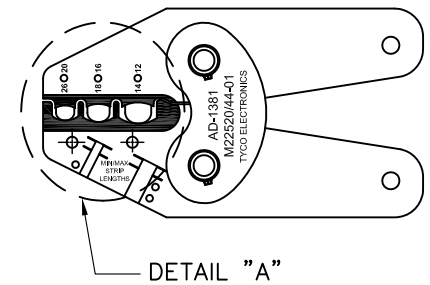
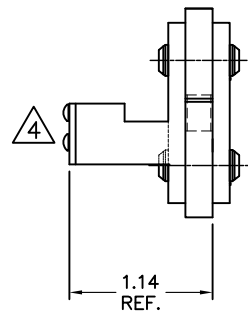
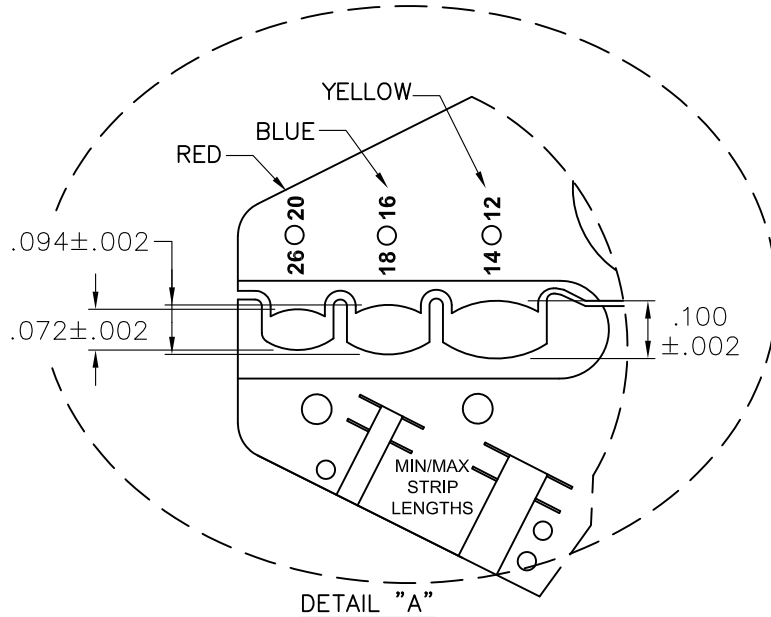
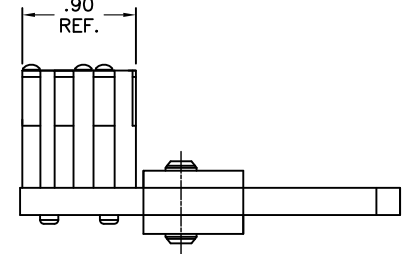
Email & Skype: info@chipsmall.com Web: www.chipsmall.com

Address: A1208, Overseas Decoration Building, #122 Zhenhua RD., Futian, Shenzhen, China





| REVISIONS | | |
|-----------|---------------------------|------------|
| LTR | DESCRIPTION | DATE |
| B | REVISED PER ECO-12-018718 | 10/23/2012 |



NOTES:

1. ALL DIMENSIONS ARE IN INCHES UNLESS OTHERWISE SPECIFIED.
2. HANDLE GRIP COLOR: BLUE
3. COLOR DOTS TO IDENTIFY WIRE GAUGE
4. LOCATOR EXTENDS TO .122 INCH MAXIMUM.

Raychem Application Equipment
CUSTOMER DRAWING



| | | | | |
|---|---------------------------|---------------------------|-----------------------------------|-----------------------|
| UNLESS OTHERWISE SPECIFIED DIMENSIONS ARE INCHES. METRIC DIMENSIONS ARE IN BRACKETS. DECIMAL TOLERANCES .XXX ± 0.005 [0.13 mm] .XX ± 0.01 [0.25 mm] .X ± 0.1 [0.50 mm] ANGLE TOLERANCE ANGLE ± 1 DEG. DIMENSIONING AND TOLERANCING PER ASME Y14.5-2009 | DRAWN UNGUYEN | TE TE Connectivity | | |
| | PART NUMBER XXXXXX-000 | | TITLE AD-1381 CRIMPING TOOL | |
| TYCO ELECTRONICS RESERVES THE RIGHT TO AMEND THIS DRAWING AT ANY TIME. USERS SHOULD EVALUATE THE SUITABILITY OF THE PRODUCT FOR THEIR APPLICATION. | THIRD ANGLE PROJECTION | SIZE B | CODE IDENT. NO. 06090 | DWG. NO. AD-1381-1 |
| © 2011 - 2012 Tyco Electronics Corporation. All rights reserved. | | SCALE: NTS | SHEET 1 OF 1 | |