



Chipsmall Limited consists of a professional team with an average of over 10 year of expertise in the distribution of electronic components. Based in Hongkong, we have already established firm and mutual-benefit business relationships with customers from,Europe,America and south Asia,supplying obsolete and hard-to-find components to meet their specific needs.

With the principle of “Quality Parts,Customers Priority,Honest Operation,and Considerate Service”,our business mainly focus on the distribution of electronic components. Line cards we deal with include Microchip,ALPS,ROHM,Xilinx,Pulse,ON,Everlight and Freescale. Main products comprise IC,Modules,Potentiometer,IC Socket,Relay,Connector.Our parts cover such applications as commercial,industrial, and automotives areas.

We are looking forward to setting up business relationship with you and hope to provide you with the best service and solution. Let us make a better world for our industry!



Contact us

Tel: +86-755-8981 8866 Fax: +86-755-8427 6832

Email & Skype: info@chipsmall.com Web: www.chipsmall.com

Address: A1208, Overseas Decoration Building, #122 Zhenhua RD., Futian, Shenzhen, China

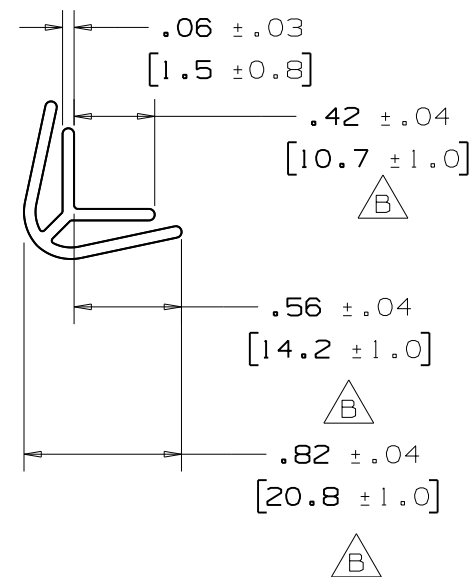
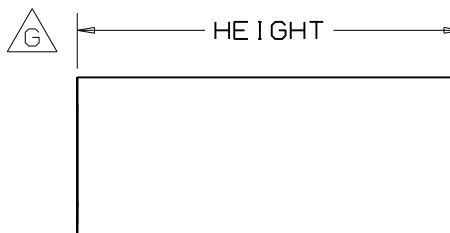


THIS COPY IS PROVIDED ON A RESTRICTED BASIS AND IS NOT TO BE USED IN ANY WAY DETRIMENTAL TO THE INTERESTS OF PANDUIT CORP.

NOTE:



1. SEE CURRENT CATALOG FOR PART NUMBER SUFFIX DESIGNATION FOR COLOR AND PACKAGE SIZE.
2. DIMENSIONS ARE IN INCHES (MILLIMETERS).



PART NAME	PANDUIT PART NUMBER	HEIGHT IN (mm)	WEIGHT lb/(g) PER pcs
CORNER STRIP	CS1**6	72.00 (1828.7)	0.728 / (330.2)
PART NAME	PANDUIT PART NUMBER	HEIGHT IN (mm)	WEIGHT lb/(g) 100 pcs
CORNER STRIP PIECE	CSP1LG-Q	.47 (11.9)	.49 / (222)
	CSP1.5LG-Q	1.04 (26.4)	.60 / (272)
	CSP2LG-Q	1.23 (31.2)	.80 / (362)
	CSP3LG-Q	2.27 (57.7)	1.60 / (725)
	CSP4LG-Q	3.25 (82.6)	2.40 / (1087)



CAD FILENAME/LAYERS D34047BA_DC_CSP/03A

PANDUIT CORP. TINLEY PARK, ILLINOIS

CORNER STRIP (CS1**6 & CSP*LG-Q) CUSTOMER DRAWING

UNLESS OTHERWISE SPECIFIED, DIMENSIONAL TOLERANCES ARE:
 (.X) ± (.XXX) ±
 (.XX) ±.060 (1.5) ANGLES ±

UNLESS OTHERWISE SPECIFIED, ALL DIMENSIONS ARE GIVEN IN INCHES, THIRD ANGLE PROJECTION.

REV	DATE	BY	CHK	DESCRIPTION	ECN	R	CUST	SUP
4	11-9-09	JCST	MRJS	G. CHANGED "LENGTH" TO "HEIGHT" F. CHANGED TITLE BLOCK - REMOVED "6FT&PC'S"	34047-01	HIW	HIW	
3	4-12-06	JCST	JKG	E. REV'D LENGTHS AND WEIGHTS.	34047-01	JKG	JKG	
2	9-7-01	JCST	JKG	D. CHANGED NOTES C. ADDED CS1**6 - CHANGED TITLE BLOCK	34047-01	JKG	JKG	
1	8-18-94	DW	KRK1	B. ADDED TOLERANCES. A. REV'D LENGTHS AND WEIGHTS.	34047-01	CEF	CEF	
R	10-3-86	LDB	WJB	RELEASED TO PRODUCTION	34047-01	R		

DRAWN BY L BENTZ
 DATE 10-3-86
 CHK'D WJB

MAT'L: POLYVINYL CHLORIDE

SCALE FULL
 DRAWING NO. 34047-01
 DWG SIZE A