



Chipsmall Limited consists of a professional team with an average of over 10 year of expertise in the distribution of electronic components. Based in Hongkong, we have already established firm and mutual-benefit business relationships with customers from,Europe,America and south Asia,supplying obsolete and hard-to-find components to meet their specific needs.

With the principle of “Quality Parts,Customers Priority,Honest Operation,and Considerate Service”,our business mainly focus on the distribution of electronic components. Line cards we deal with include Microchip,ALPS,ROHM,Xilinx,Pulse,ON,Everlight and Freescale. Main products comprise IC,Modules,Potentiometer,IC Socket,Relay,Connector.Our parts cover such applications as commercial,industrial, and automotives areas.

We are looking forward to setting up business relationship with you and hope to provide you with the best service and solution. Let us make a better world for our industry!



## Contact us

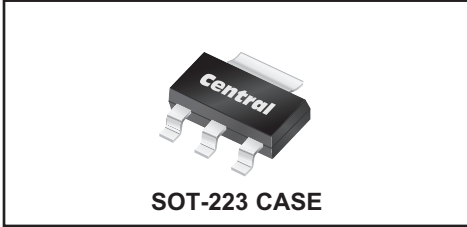
Tel: +86-755-8981 8866 Fax: +86-755-8427 6832

Email & Skype: info@chipsmall.com Web: www.chipsmall.com

Address: A1208, Overseas Decoration Building, #122 Zhenhua RD., Futian, Shenzhen, China



**CS223-2M**  
**SURFACE MOUNT**  
**SILICON CONTROLLED RECTIFIER**  
**2.0 AMP, 600 VOLT**



[www.centralemi.com](http://www.centralemi.com)

**DESCRIPTION:**

The CENTRAL SEMICONDUCTOR CS223-2M is an epoxy molded SCR designed for sensing circuit applications and control systems.

**NOT RECOMMENDED FOR NEW DESIGN-  
 USE CS223-4M**

**MARKING: FULL PART NUMBER**

**MAXIMUM RATINGS:** ( $T_C=25^\circ\text{C}$  unless otherwise noted)

	SYMBOL		UNITS
Peak Repetitive Off-State Voltage	$V_{DRM}, V_{RRM}$	600	V
RMS On-State Current ( $T_C=60^\circ\text{C}$ )	$I_T(\text{RMS})$	2.0	A
Peak One Cycle Surge, $t=10\text{ms}$	$I_{TSM}$	10	A
$I^2t$ Value for Fusing, $t=10\text{ms}$	$I^2t$	0.5	$\text{A}^2\text{s}$
Peak Gate Power, $t_p=10\mu\text{s}$	$P_{GM}$	2.0	W
Average Gate Power Dissipation	$P_{G(AV)}$	0.1	W
Peak Gate Current, $t_p=10\mu\text{s}$	$I_{GM}$	1.0	A
Peak Gate Voltage, $t_p=10\mu\text{s}$	$V_{GM}$	8.0	V
Operating Junction Temperature	$T_J$	-50 to +125	$^\circ\text{C}$
Storage Temperature	$T_{stg}$	-50 to +150	$^\circ\text{C}$
Thermal Resistance	$\theta_{JA}$	62.5	$^\circ\text{C/W}$

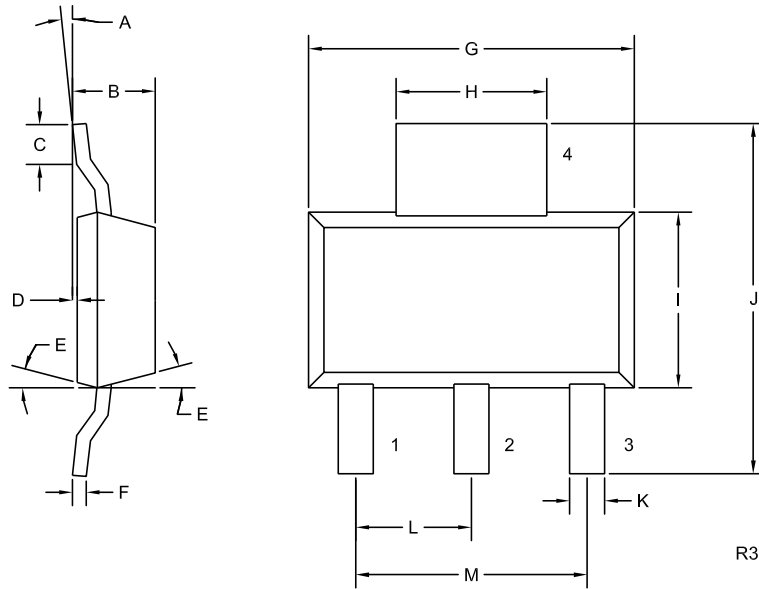
**ELECTRICAL CHARACTERISTICS:** ( $T_C=25^\circ\text{C}$  unless otherwise noted)

SYMBOL	TEST CONDITIONS	MIN	TYP	MAX	UNITS
$I_{DRM}, I_{RRM}$	$V_{DRM}, V_{RRM}=600\text{V}, R_{GK}=1.0\text{K}\Omega$			10	$\mu\text{A}$
$I_{DRM}, I_{RRM}$	$V_{DRM}, V_{RRM}=600\text{V}, R_{GK}=1.0\text{K}\Omega, T_C=125^\circ\text{C}$			100	$\mu\text{A}$
$I_{GT}$	$V_D=12\text{V}, R_L=10\Omega$		38	200	$\mu\text{A}$
$I_H$	$I_T=50\text{mA}, R_{GK}=1.0\text{K}\Omega$		1.0	2.0	mA
$V_{GT}$	$V_D=12\text{V}, R_L=10\Omega$		0.55	0.8	V
$V_{TM}$	$I_{TM}=4.0\text{A}, t_p=380\mu\text{s}$		1.4	1.7	V
dv/dt	$V_D=400\text{V}, R_{GK}=1.0\text{K}\Omega, T_C=125^\circ\text{C}$	10			$\text{V}/\mu\text{s}$

**CS223-2M**  
**SURFACE MOUNT**  
**SILICON CONTROLLED RECTIFIER**  
**2.0 AMP, 600 VOLT**



**SOT-223 CASE - MECHANICAL OUTLINE**



**LEAD CODE:**

- 1) Cathode
- 2) Anode
- 3) Gate
- 4) Anode

**MARKING:**  
**FULL PART NUMBER**

DIMENSIONS				
SYMBOL	INCHES		MILLIMETERS	
	MIN	MAX	MIN	MAX
A	0°	10°	0°	10°
B	0.059	0.071	1.50	1.80
C	0.018	—	0.45	—
D	0.000	0.004	0.00	0.10
E	15°		15°	
F	0.009	0.014	0.23	0.35
G	0.248	0.264	6.30	6.70
H	0.114	0.122	2.90	3.10
I	0.130	0.146	3.30	3.70
J	0.264	0.287	6.70	7.30
K	0.024	0.033	0.60	0.85
L	0.091		2.30	
M	0.181		4.60	

SOT-223 (REV: R3)

R4 (6-January 2016)

## OUTSTANDING SUPPORT AND SUPERIOR SERVICES



---

### PRODUCT SUPPORT

Central's operations team provides the highest level of support to insure product is delivered on-time.

- Supply management (Customer portals)
- Inventory bonding
- Consolidated shipping options
- Custom bar coding for shipments
- Custom product packing

---

### DESIGNER SUPPORT/SERVICES

Central's applications engineering team is ready to discuss your design challenges. Just ask.

- Free quick ship samples (2<sup>nd</sup> day air)
- Online technical data and parametric search
- SPICE models
- Custom electrical curves
- Environmental regulation compliance
- Customer specific screening
- Up-screening capabilities
- Special wafer diffusions
- PbSn plating options
- Package details
- Application notes
- Application and design sample kits
- Custom product and package development

---

### CONTACT US

#### Corporate Headquarters & Customer Support Team

Central Semiconductor Corp.  
145 Adams Avenue  
Hauppauge, NY 11788 USA  
Main Tel: (631) 435-1110  
Main Fax: (631) 435-1824  
Support Team Fax: (631) 435-3388  
[www.centalsemi.com](http://www.centalsemi.com)

**Worldwide Field Representatives:**  
[www.centalsemi.com/wwreps](http://www.centalsemi.com/wwreps)

**Worldwide Distributors:**  
[www.centalsemi.com/wwdistributors](http://www.centalsemi.com/wwdistributors)

---

For the latest version of Central Semiconductor's **LIMITATIONS AND DAMAGES DISCLAIMER**, which is part of Central's Standard Terms and Conditions of sale, visit: [www.centalsemi.com/terms](http://www.centalsemi.com/terms)



<http://www.centrasemi.com>

# Product End of Life Notification

<b>PDN ID:</b>	PDN01068
<b>Notification Date:</b>	10/23/17
<b>Last Buy Date:</b>	4/23/18
<b>Last Shipment Date</b>	10/23/18

Summary: The CS223-2M silicon controlled rectifier is discontinued and is now classified as End of Life (EOL).

Although Central Semiconductor Corp. makes every effort to continue to produce devices that have been proclaimed EOL (End of Life) by various manufacturers, it is an accepted industry practice to discontinue certain devices when customer demand falls below a minimum level of sustainability. Accordingly, the following product(s) have been transitioned to End of Life status as part of Central's Product Management Process. Any replacement product will be noted below. The effective date for placing the last purchase order will be six(6) months from the date of this notice and twelve(12) months from the notice date for final shipments; this may be extended if inventory is available.

<u>Central Part Number</u>	<u>Replacement</u>
CS223-2M TR	CS223-4M TR    H

Central would be happy to assist you by providing additional information or technical data to help locate an alternate source if we have no replacement available. Please email your requests to [engineering@centrasemi.com](mailto:engineering@centrasemi.com).

**DISCLAIMER:** This End of Life (EOL) notification is in accordance with JEDEC standard JESD48 - Product Discontinuance. Central Semiconductor Corp. will make every effort to offer life-time buy (LTB) opportunities and/or offer replacement devices to existing customers for discontinued devices, however, one or both may not be possible for all devices. Please contact your local Central Semiconductor sales representative for LTB opportunities/additional information.