



Chipsmall Limited consists of a professional team with an average of over 10 year of expertise in the distribution of electronic components. Based in Hongkong, we have already established firm and mutual-benefit business relationships with customers from,Europe,America and south Asia,supplying obsolete and hard-to-find components to meet their specific needs.

With the principle of “Quality Parts,Customers Priority,Honest Operation,and Considerate Service”,our business mainly focus on the distribution of electronic components. Line cards we deal with include Microchip,ALPS,ROHM,Xilinx,Pulse,ON,Everlight and Freescale. Main products comprise IC,Modules,Potentiometer,IC Socket,Relay,Connector.Our parts cover such applications as commercial,industrial, and automotives areas.

We are looking forward to setting up business relationship with you and hope to provide you with the best service and solution. Let us make a better world for our industry!



Contact us

Tel: +86-755-8981 8866 Fax: +86-755-8427 6832

Email & Skype: info@chipsmall.com Web: www.chipsmall.com

Address: A1208, Overseas Decoration Building, #122 Zhenhua RD., Futian, Shenzhen, China



CS3341, CS3351, CS387

Alternator Voltage Regulator Darlington Driver

The CS3341/3351/387 integral alternator regulator integrated circuit provides the voltage regulation for automotive, 3-phase alternators.

It drives an external power Darlington for control of the alternator field current. In the event of a charge fault, a lamp output pin is provided to drive an external darlington transistor capable of switching on a fault indicator lamp. An overvoltage or no STATOR signal condition activates the lamp output.

The CS3341 and CS3351 are available in SOIC-14 packages. The CS387 is available as a Flip Chip.

For FET driver applications use the CS3361. Use of the CS3341, CS3351 or CS387 with external FETs may result in oscillations.

Features

- Drives NPN Darlington
- Short Circuit Protection
- 80 V Load Dump
- Temperature Compensated Regulation Voltage
- Shorted Field Protection Duty Cycle, Self Clearing
- Pb-Free Packages are Available*

MAXIMUM RATINGS

| Rating | Value | Unit |
|---|-------------|------|
| Storage Temperature Range, T_S | -55 to +165 | °C |
| Junction Temperature Range | -40 to 150 | °C |
| Continuous Supply | 27 | V |
| I_{CC} Load Dump | 400 | mA |
| Lead Temperature Soldering: Reflow: (SMD styles only) (Note 1) | 230 peak | °C |

Maximum ratings are those values beyond which device damage can occur. Maximum ratings applied to the device are individual stress limit values (not normal operating conditions) and are not valid simultaneously. If these limits are exceeded, device functional operation is not implied, damage may occur and reliability may be affected.

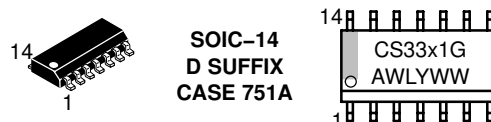
1. 60 second maximum above 183°C.



ON Semiconductor®

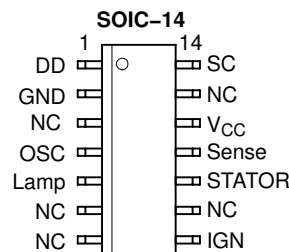
<http://onsemi.com>

MARKING DIAGRAM

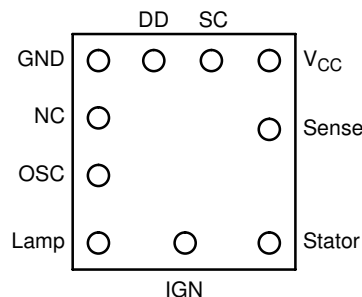


CS33x1 = Specific Device Code
 x = 4 or 5
 A = Assembly Location
 WL = Wafer Lot
 Y = Year
 WW = Work Week
 G = Pb-Free Package

PIN CONNECTIONS



Flip Chip, Bump Side Up



ORDERING INFORMATION

See detailed ordering and shipping information in the package dimensions section on page 4 of this data sheet.

*For additional information on our Pb-Free strategy and soldering details, please download the ON Semiconductor Soldering and Mounting Techniques Reference Manual, SOLDERRM/D.

CS3341, CS3351, CS387

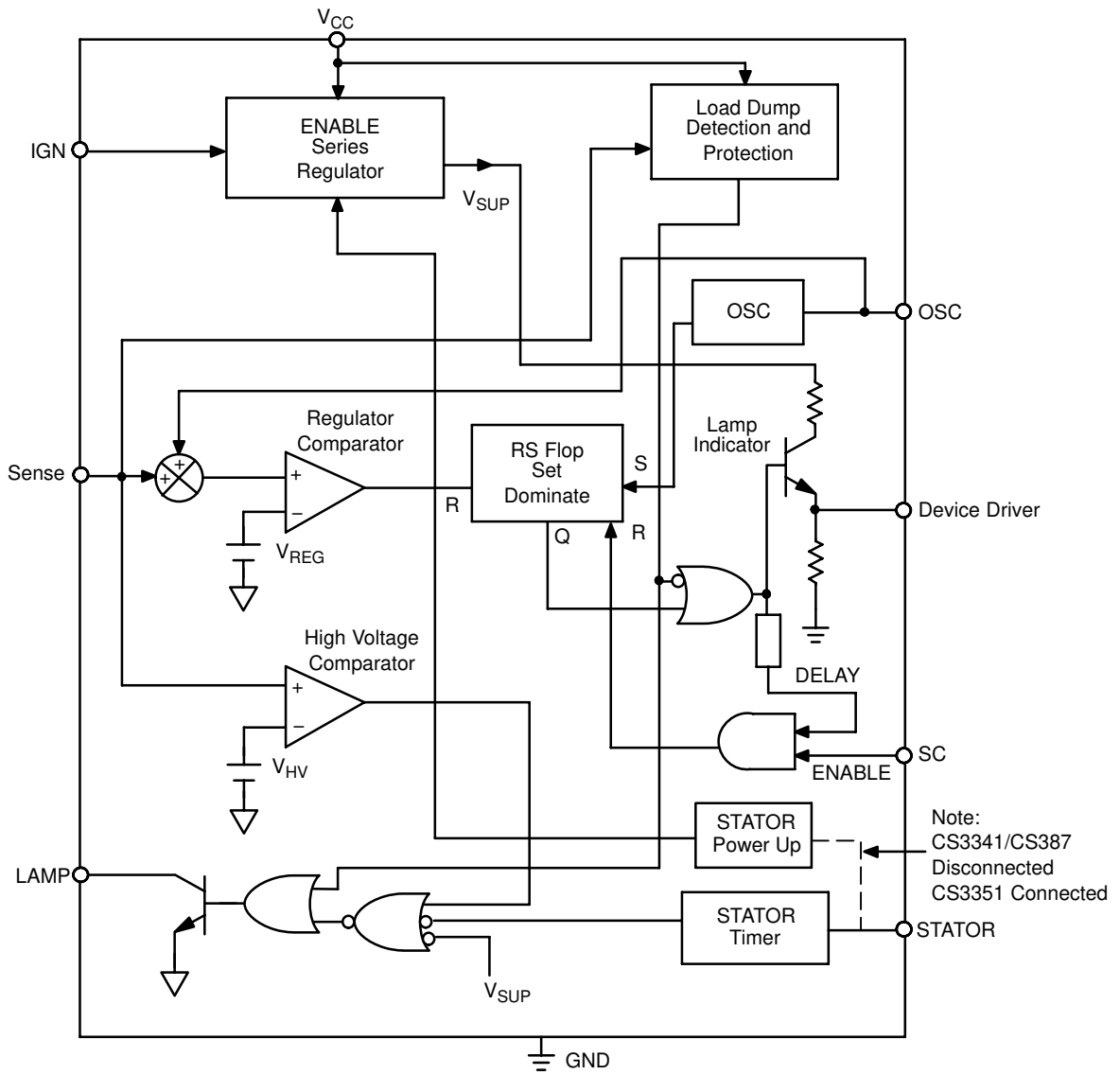


Figure 1. Block Diagram

CS3341, CS3351, CS387

ELECTRICAL CHARACTERISTICS ($-40^{\circ}\text{C} < T_A < 125^{\circ}\text{C}$, $-40^{\circ}\text{C} < T_J < 150^{\circ}\text{C}$, $9.0\text{ V} \leq V_{CC} \leq 17\text{ V}$; unless otherwise specified.)

| Characteristic | Test Conditions | Min | Typ | Max | Unit |
|----------------|-----------------|-----|-----|-----|------|
|----------------|-----------------|-----|-----|-----|------|

Supply

| | | | | | |
|-------------------------|---|---|----|----|---------------|
| Supply Current Enabled | – | – | 12 | 25 | mA |
| Supply Current Disabled | – | – | – | 50 | μA |

Driver Stage

| | | | | | |
|--------------------------------|----------------------------|-----|------|------|---------------|
| Output High Current | $V_{DD} = 1.2\text{ V}$ | –10 | –6.0 | –4.0 | mA |
| Output Low Voltage | $I_{OL} = 25\ \mu\text{A}$ | – | – | 0.35 | V |
| Minimum ON Time | – | 200 | – | – | μs |
| Minimum Duty Cycle | – | – | 6.0 | 10 | % |
| Short Circuit Duty Cycle | – | 1.0 | – | 5.0 | % |
| Field Switch Turn On Rise Time | – | 30 | – | 90 | μs |
| Field Switch Turn On Fall Time | – | 30 | – | 90 | μs |

Stator

| | | | | | |
|----------------------------|-------------|-----|-----|-----|----|
| Input High Voltage | – | 10 | – | – | V |
| Input Low Voltage | – | – | – | 6.0 | V |
| Stator Time Out | High to Low | 6.0 | 100 | 600 | ms |
| Stator Power-Up Input High | CS3351 only | 10 | – | – | V |
| Stator Power-Up Input Low | CS3351 only | – | – | 6.0 | V |

Lamp

| | | | | | |
|---------------------|---------------------------|---|---|------|---------------|
| Output High Current | $V_{LAMP} @ 3.0\text{ V}$ | – | – | 50 | μA |
| Output Low Voltage | $I_{LAMP} @ 30\text{ mA}$ | – | – | 0.35 | V |

Ignition

| | | | | | |
|--------------------|-----------------------------|-----|---|-----|---|
| Input High Voltage | $I_{CC} > 1.0\text{ mA}$ | 1.8 | – | – | V |
| Input Low Voltage | $I_{CC} < 100\ \mu\text{A}$ | – | – | 0.5 | V |

Oscillator

| | | | | | |
|---------------------------|-------------------------------|----|----|-----|----|
| Oscillator Frequency | $C_{OSC} = 0.22\ \mu\text{F}$ | 65 | – | 325 | Hz |
| Rise Time/Fall Time | $C_{OSC} = 0.22\ \mu\text{F}$ | – | 17 | – | – |
| Oscillator High Threshold | $C_{OSC} = 0.22\ \mu\text{F}$ | – | – | 6.0 | V |

Battery Sense

| | | | | | |
|------------------------------|---|-------|---|-------|---------------|
| Input Current | – | –10 | – | +10 | μA |
| Regulation Voltage | @25°C, $R_1 = 100\text{ k}\Omega$, $R_2 = 50\text{ k}\Omega$ | 13.5 | – | 16 | V |
| Proportional Control | – | 0.050 | – | 0.400 | V |
| High Voltage Threshold Ratio | $\frac{V_{\text{High Voltage @ LampOn}}}{V_{\text{Regulation @ 50\%Duty Cycle}}}$ | 1.083 | – | 1.190 | – |
| High Voltage Hysteresis | – | 0.020 | – | 0.600 | V |

CS3341, CS3351, CS387

PACKAGE PIN DESCRIPTION

| PACKAGE PIN # | | PIN SYMBOL | FUNCTION |
|----------------|-----------|-----------------|---|
| SOIC-14 | Flip Chip | | |
| 1 | 1 | Driver | Output driver for external power switch-Darlington |
| 2 | 2 | GND | Ground |
| 3, 6, 7, 9, 13 | 3 | NC | No Connection |
| 4 | 4 | OSC | Timing capacitor for oscillator |
| 5 | 5 | Lamp | Base driver for lamp driver indicates no stator signal or overvoltage condition |
| 8 | 6 | IGN | Switched ignition powerup |
| 10 | 7 | Stator | Stator signal input for stator timer (CS3351 also powerup) |
| 11 | 8 | Sense | Battery sense voltage regulator comparator input and protection |
| 12 | 9 | V _{CC} | Supply for IC |
| 14 | 10 | SC | Short circuit sensing |

ORDERING INFORMATION

| Device | Package | Shipping [†] |
|--------------|----------------------|-----------------------|
| CS3341YD14 | SOIC-14 | 55 Units/Rail |
| CS3341YD14G | SOIC-14 (Pb-Free) | 55 Units/Rail |
| CS3341YDR14 | SOIC-14 | 2500 Tape & Reel |
| CS3341YDR14G | SOIC-14 (Pb-Free) | 2500 Tape & Reel |
| CS3351YD14 | SOIC-14 | 55 Units/Rail |
| CS3351YD14G | SOIC-14 (Pb-Free) | 55 Units/Rail |
| CS3351YDR14 | SOIC-14 | 2500 Tape & Reel |
| CS3351YDR14G | SOIC-14 (Pb-Free) | 2500 Tape & Reel |
| CS387H | Flip Chip | Contact Sales |

[†]For information on tape and reel specifications, including part orientation and tape sizes, please refer to our Tape and Reel Packaging Specifications Brochure, BRD8011/D.

TYPICAL PERFORMANCE CHARACTERISTICS

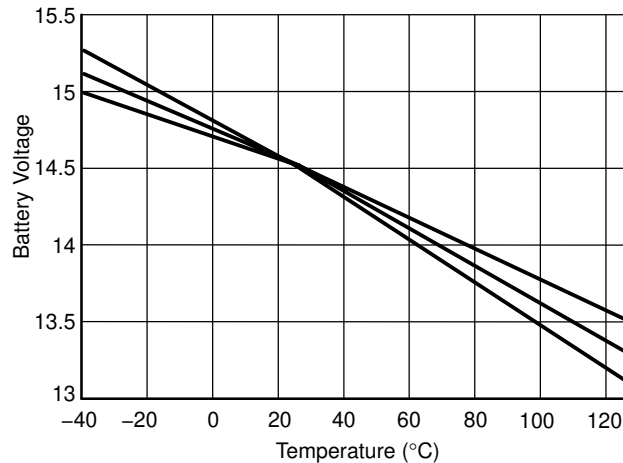


Figure 2. Battery Voltage vs. Temperature (°C) Over Process Variation

APPLICATIONS INFORMATION

The CS3341 and CS3351 IC's are designed for use in an alternator charging system. The circuit is also available in flip-chip form as the CS387.

In a standard alternator design (Figure 3), the rotor carries the field winding. An alternator rotor usually has several N and S poles. The magnetic field for the rotor is produced by forcing current through a field or rotor winding. The Stator windings are formed into a number of coils spaced around a cylindrical core. The number of coils equals the number of pairs of N and S poles on the rotor. The alternating current in the Stator windings is rectified by the diodes and applied to the regulator. By controlling the amount of field current, the magnetic field strength is controlled and hence the output voltage of the alternator.

Referring to Figure 7, a typical application diagram, the oscillator frequency is set by an external capacitor connected between OSC and ground. The sawtooth waveform ramps between 1.0 V and 3.0 V and provides the timing for the system. For the circuit shown the oscillator frequency is approximately 140 Hz. The alternator voltage is sensed at Terminal A via the resistor divider network R1/R2 on the Sense pin of the IC. The voltage at the sense pin determines the duty cycle for the regulator. The voltage is adjusted by potentiometer R2. A relatively low voltage on the sense pin causes a long duty cycle that increases the Field current. A high voltage results in a short duty cycle.

The ignition Terminal (I) switches power to the IC through the V_{CC} pin. In the CS3351 the Stator pin senses the voltage from the stator. This will keep the device powered while the voltage is high, and it also senses a stopped engine condition and drives the Lamp pin high after the stator

timeout expires. The Lamp pin also goes high when an overvoltage condition is detected on the sense pin. This causes the darlington lamp drive transistor to switch on and pull current through the lamp. If the system voltage continues to increase, the field and lamp output turn off as in an overvoltage or load dump condition.

The SC or Short Circuit pin monitors the field voltage. If the drive output and the SC voltage are simultaneously high for a predetermined period, a short circuit condition is assumed and the output is disabled. The regulator is forced to a minimum short circuit duty cycle.

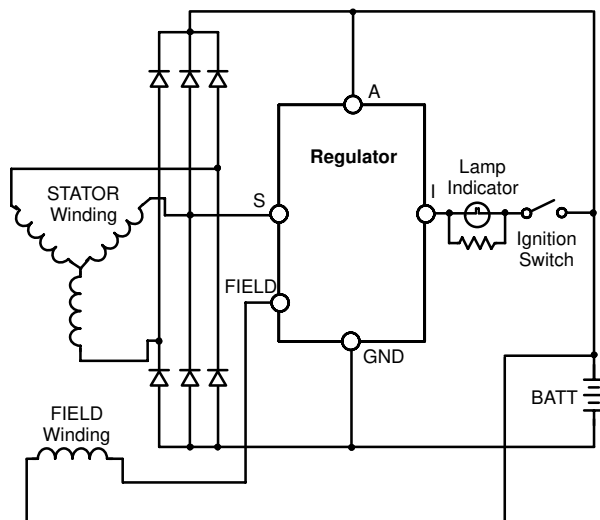


Figure 3. IAR System Block Diagram

REGULATION WAVEFORMS

The CS3341/3351/387 utilizes proportion control to maintain regulation. Waveforms depicting operation are shown in Figures 4, 5 and 6, where $V_{BAT/N}$ is the divided down voltage present on the Sense pin using R1 and R2 (Figure 7). A sawtooth waveform is generated internally. The amplitude of this waveform is listed in the electric parameter section as proportion control. The oscillator voltage is summed with $V_{BAT/N}$, and compared with the internal voltage regulator (V_{REG}) in the regulation

comparator which controls the field through the output "Device Driver."

Figure 4 shows typical steady-state operation. A 50% duty cycle is maintained.

Figure 5 shows the effect of a drop in voltage on ($V_{BAT/N} + V_{OSC}$). Notice the duty cycle increase to the field drive.

Figure 6 shows the effect of an increase in voltage (above the regulation voltage) on ($V_{BAT/N} + V_{OSC}$). Notice the decrease in field drive.

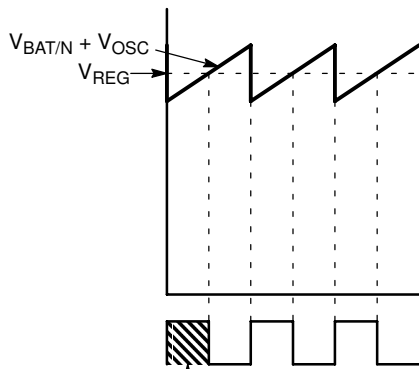


Figure 4. 50% Duty Cycle, Steady State

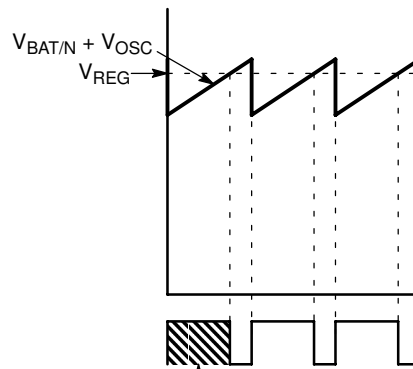


Figure 5. > 50% Duty Cycle, Increased Load

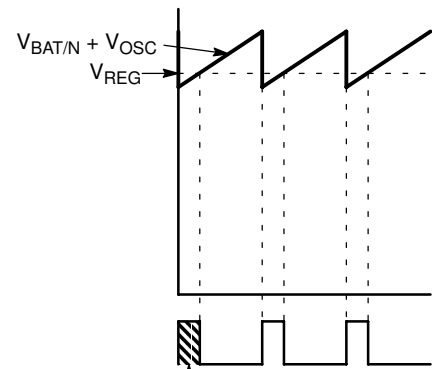


Figure 6. < 50% Duty Cycle, Decreased Load

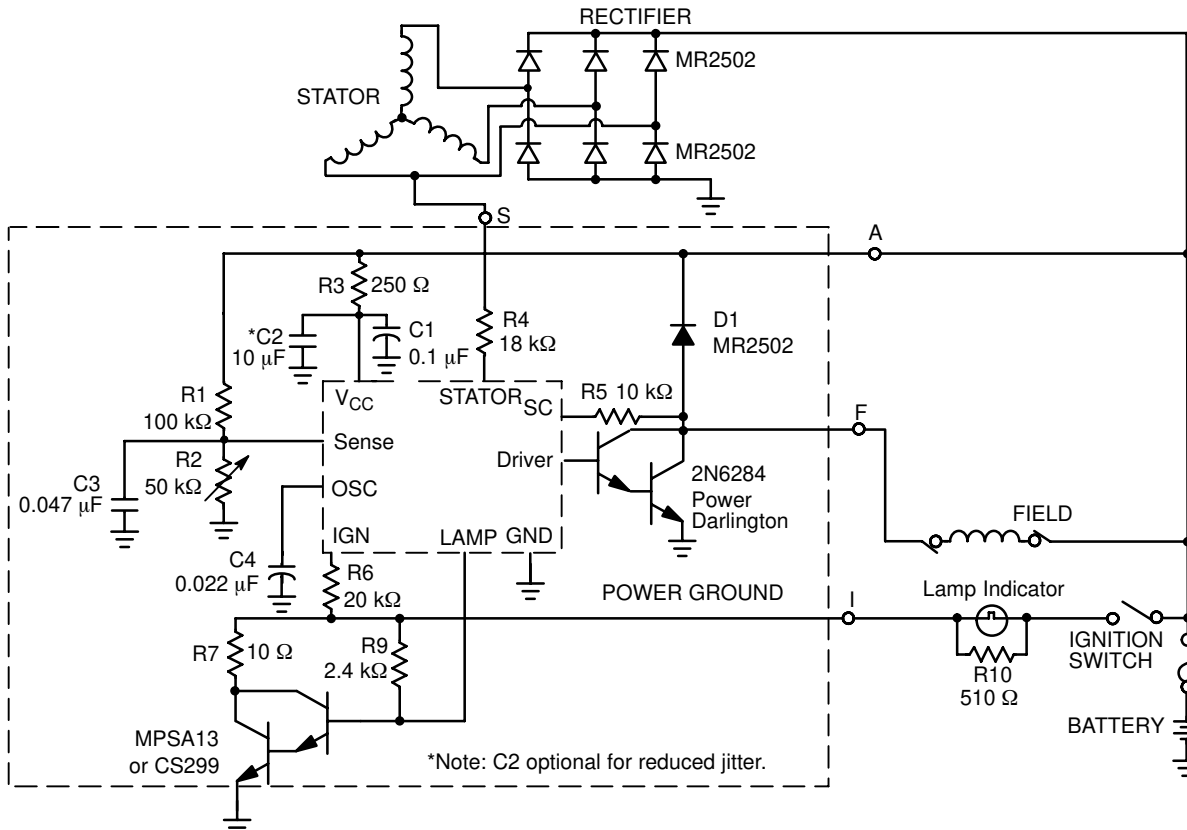


Figure 7. Typical Application Diagram

CS3341, CS3351, CS387

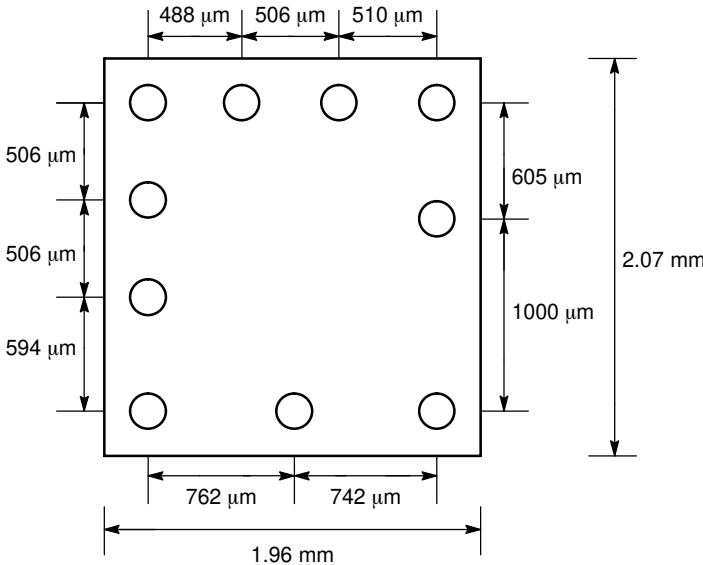
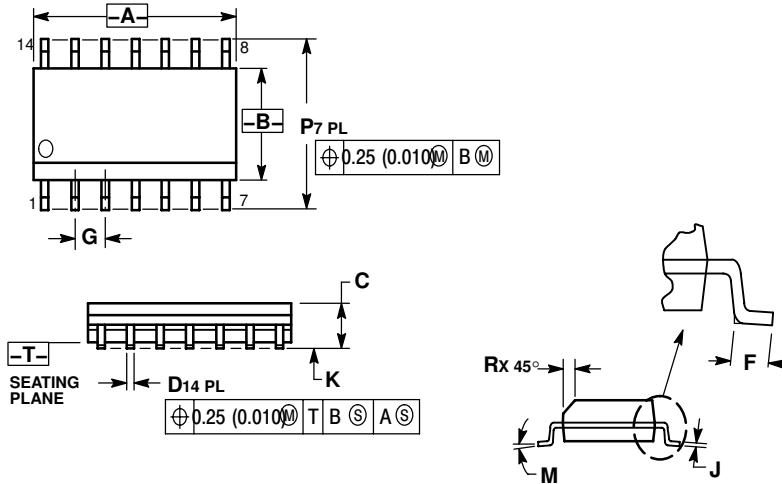


Figure 8. Flip Chip Dimensions and Solder Bump Locations, Bump Side Up

CS3341, CS3351, CS387

PACKAGE DIMENSIONS

SOIC-14
D SUFFIX
CASE 751A-03
ISSUE G



- NOTES:
1. DIMENSIONING AND TOLERANCING PER ANSI Y14.5M, 1982.
 2. CONTROLLING DIMENSION: MILLIMETER.
 3. DIMENSIONS A AND B DO NOT INCLUDE MOLD PROTRUSION.
 4. MAXIMUM MOLD PROTRUSION 0.15 (0.006) PER SIDE.
 5. DIMENSION D DOES NOT INCLUDE DAMBAR PROTRUSION. ALLOWABLE DAMBAR PROTRUSION SHALL BE 0.127 (0.005) TOTAL IN EXCESS OF THE D DIMENSION AT MAXIMUM MATERIAL CONDITION.

| DIM | MILLIMETERS | | INCHES | |
|-----|-------------|------|-----------|-------|
| | MIN | MAX | MIN | MAX |
| A | 8.55 | 8.75 | 0.337 | 0.344 |
| B | 3.80 | 4.00 | 0.150 | 0.157 |
| C | 1.35 | 1.75 | 0.054 | 0.068 |
| D | 0.35 | 0.49 | 0.014 | 0.019 |
| F | 0.40 | 1.25 | 0.016 | 0.049 |
| G | 1.27 BSC | | 0.050 BSC | |
| J | 0.19 | 0.25 | 0.008 | 0.009 |
| K | 0.10 | 0.25 | 0.004 | 0.009 |
| M | 0° | 7° | 0° | 7° |
| P | 5.80 | 6.20 | 0.228 | 0.244 |
| R | 0.25 | 0.50 | 0.010 | 0.019 |

PACKAGE THERMAL DATA

| Parameter | | SOIC-14 | Unit |
|------------------|---------|---------|------|
| R _{θJC} | Typical | 30 | °C/W |
| R _{θJA} | Typical | 125 | °C/W |

ON Semiconductor and are registered trademarks of Semiconductor Components Industries, LLC (SCILLC). SCILLC reserves the right to make changes without further notice to any products herein. SCILLC makes no warranty, representation or guarantee regarding the suitability of its products for any particular purpose, nor does SCILLC assume any liability arising out of the application or use of any product or circuit, and specifically disclaims any and all liability, including without limitation special, consequential or incidental damages. "Typical" parameters which may be provided in SCILLC data sheets and/or specifications can and do vary in different applications and actual performance may vary over time. All operating parameters, including "Typicals" must be validated for each customer application by customer's technical experts. SCILLC does not convey any license under its patent rights nor the rights of others. SCILLC products are not designed, intended, or authorized for use as components in systems intended for surgical implant into the body, or other applications intended to support or sustain life, or for any other application in which the failure of the SCILLC product could create a situation where personal injury or death may occur. Should Buyer purchase or use SCILLC products for any such unintended or unauthorized application, Buyer shall indemnify and hold SCILLC and its officers, employees, subsidiaries, affiliates, and distributors harmless against all claims, costs, damages, and expenses, and reasonable attorney fees arising out of, directly or indirectly, any claim of personal injury or death associated with such unintended or unauthorized use, even if such claim alleges that SCILLC was negligent regarding the design or manufacture of the part. SCILLC is an Equal Opportunity/Affirmative Action Employer. This literature is subject to all applicable copyright laws and is not for resale in any manner.

PUBLICATION ORDERING INFORMATION

LITERATURE FULFILLMENT:
Literature Distribution Center for ON Semiconductor
P.O. Box 61312, Phoenix, Arizona 85082-1312 USA
Phone: 480-829-7710 or 800-344-3860 Toll Free USA/Canada
Fax: 480-829-7709 or 800-344-3867 Toll Free USA/Canada
Email: orderlit@onsemi.com

N. American Technical Support: 800-282-9855 Toll Free
USA/Canada

Japan: ON Semiconductor, Japan Customer Focus Center
2-9-1 Kamimeguro, Meguro-ku, Tokyo, Japan 153-0051
Phone: 81-3-5773-3850

ON Semiconductor Website: <http://onsemi.com>

Order Literature: <http://www.onsemi.com/litorder>

For additional information, please contact your local Sales Representative.