



Chipsmall Limited consists of a professional team with an average of over 10 year of expertise in the distribution of electronic components. Based in Hongkong, we have already established firm and mutual-benefit business relationships with customers from,Europe,America and south Asia,supplying obsolete and hard-to-find components to meet their specific needs.

With the principle of “Quality Parts,Customers Priority,Honest Operation,and Considerate Service”,our business mainly focus on the distribution of electronic components. Line cards we deal with include Microchip,ALPS,ROHM,Xilinx,Pulse,ON,Everlight and Freescale. Main products comprise IC,Modules,Potentiometer,IC Socket,Relay,Connector.Our parts cover such applications as commercial,industrial, and automotives areas.

We are looking forward to setting up business relationship with you and hope to provide you with the best service and solution. Let us make a better world for our industry!



Contact us

Tel: +86-755-8981 8866 Fax: +86-755-8427 6832

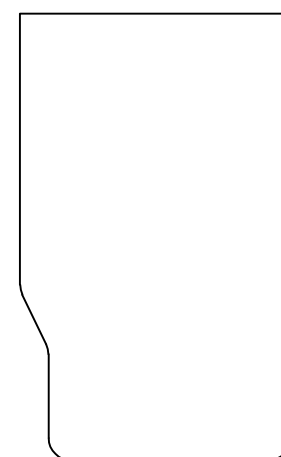
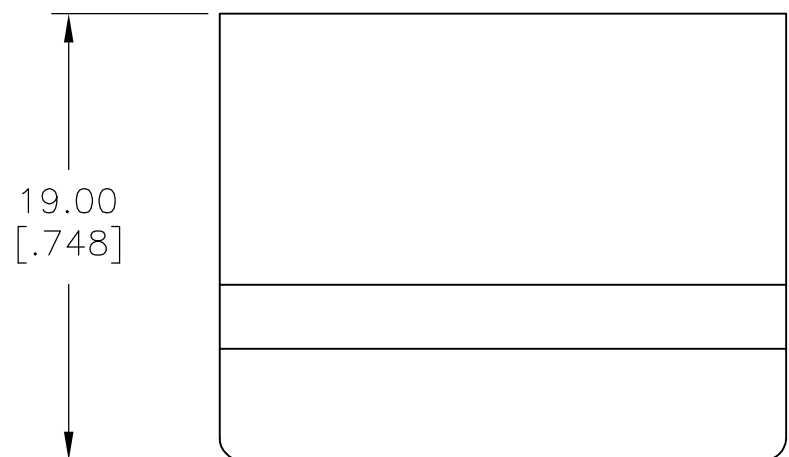
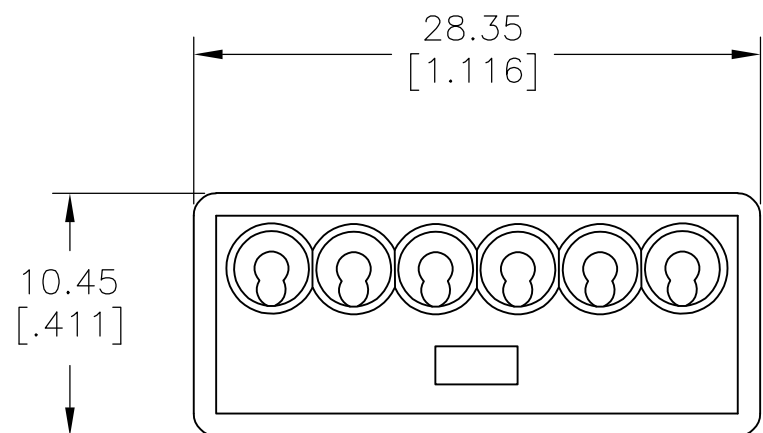
Email & Skype: info@chipsmall.com Web: www.chipsmall.com

Address: A1208, Overseas Decoration Building, #122 Zhenhua RD., Futian, Shenzhen, China



THIS DRAWING IS UNPUBLISHED. RELEASED FOR PUBLICATION
 © COPYRIGHT - By - ALL RIGHTS RESERVED.

LOC	DIST	REVISIONS					
		P	LTR	DESCRIPTION	DATE	DWN	APVD
-	-	A		NEW DRAWING	03OCT2015	NK	RH



- HOUSING MATERIAL : POLYCARBONATE (PC), FLAME-RETARDANT TO UL 94-V0
- VOLTAGE : 600V(UL), 450V(IEC)
- CURRENT : 24A(IEC)
- WORKING TEMPERATURE : T110(IEC), 105°C(UL)
- WIRE RANGE : 22-12 AWG, SOL/STR Cu(UL), 0.5-2.5mm²(VDE)
- STRIPPING LENGTH : 11.0[.43]

2299518-1 AS SHOWN

THIS DRAWING IS A CONTROLLED DOCUMENT.		DWN NAGALAKSHMI K	03OCT2015			STE TE Connectivity												
DIMENSIONS: mm [INCHES]		CHK HILL, RYAN	03OCT2015															
TOLERANCES UNLESS OTHERWISE SPECIFIED:		APVD HILL, RYAN	03OCT2015			NAME												
<table border="0"> <tr><td>0 PLC</td><td>± -</td></tr> <tr><td>1 PLC</td><td>± 0.2[.008]</td></tr> <tr><td>2 PLC</td><td>± 0.40[.016]</td></tr> <tr><td>3 PLC</td><td>± -</td></tr> <tr><td>4 PLC</td><td>± -</td></tr> <tr><td>ANGLES</td><td>± -</td></tr> </table>		0 PLC	± -	1 PLC	± 0.2[.008]	2 PLC	± 0.40[.016]	3 PLC	± -	4 PLC	± -	ANGLES	± -	PRODUCT SPEC			CPGI-WC-PG-6-PORT-BULK	
0 PLC	± -																	
1 PLC	± 0.2[.008]																	
2 PLC	± 0.40[.016]																	
3 PLC	± -																	
4 PLC	± -																	
ANGLES	± -																	
MATERIAL		APPLICATION SPEC			SIZE	RESTRICTED TO												
FINISH		WEIGHT			CAGE CODE	DRAWING NO												
-		-			A3 00779	C-2299518												
CUSTOMER DRAWING				SCALE	SHEET	REV												
				1:1	1 OF 1	A												