



Chipsmall Limited consists of a professional team with an average of over 10 year of expertise in the distribution of electronic components. Based in Hongkong, we have already established firm and mutual-benefit business relationships with customers from,Europe,America and south Asia,supplying obsolete and hard-to-find components to meet their specific needs.

With the principle of "Quality Parts,Customers Priority,Honest Operation,and Considerate Service",our business mainly focus on the distribution of electronic components. Line cards we deal with include Microchip,ALPS,ROHM,Xilinx,Pulse,ON,Everlight and Freescale. Main products comprise IC,Modules,Potentiometer,IC Socket,Relay,Connector.Our parts cover such applications as commercial,industrial, and automotives areas.

We are looking forward to setting up business relationship with you and hope to provide you with the best service and solution. Let us make a better world for our industry!



## Contact us

Tel: +86-755-8981 8866 Fax: +86-755-8427 6832

Email & Skype: info@chipsmall.com Web: www.chipsmall.com

Address: A1208, Overseas Decoration Building, #122 Zhenhua RD., Futian, Shenzhen, China



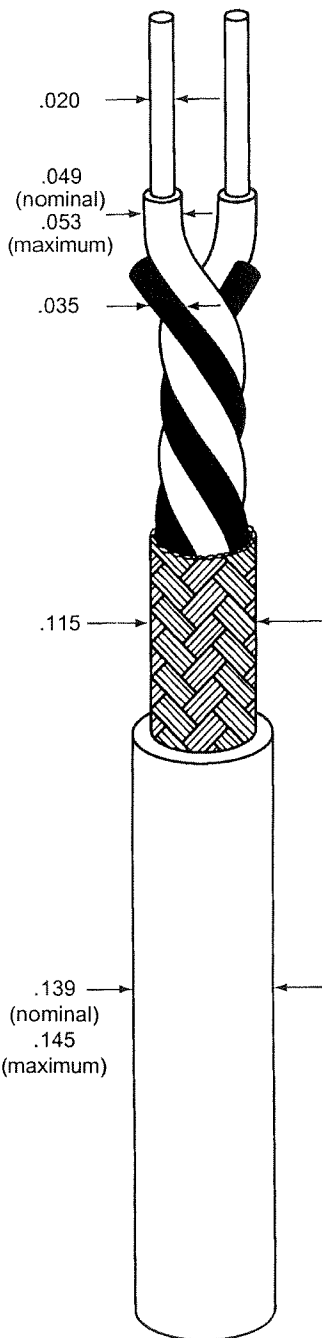
THIS SPECIFICATION SHEET FORMS A PART OF THE LATEST ISSUE OF RAYCHEM SPECIFICATION 1200.

**CONSTRUCTION DETAILS**

**ELECTRICAL CHARACTERISTICS**

DIMENSIONS ARE NOMINAL VALUES IN INCHES UNLESS OTHERWISE DESIGNATED.

CHARACTERISTIC IMPEDANCE	120 ± 10 ohms, Method C at 1 MHz
CAPACITANCE-MUTUAL	12.5 pF/ft. (nominal)
VELOCITY OF PROPAGATION	77% (nominal)



**CONDUCTORS**  
AWG 26, 19 Strands of  
AWG 38, Silver-Coated  
High Strength Copper  
Alloy

**DIELECTRICS**  
Rayfoam<sup>®</sup> H  
Colors - White / Light  
Blue

**FILLERS**  
Radiation-Crosslinked,  
Modified ETFE

**SHIELD**  
AWG 38  
Tin-Coated Copper

**JACKET**  
Modified FEP

**ADDITIONAL REQUIREMENTS**

**ELECTRICAL**

CONDUCTOR RESISTANCE	42.0ohms/1000ft. (nominal)
INSULATION RESISTANCE	10,000megohms (minimum) for 1000ft.
JACKET FLAWS	
SPARK TEST	1.0kV (rms)
IMPULSE TEST	6.0kV (peak)
VOLTAGE WITHSTAND (DIELECTRIC)	1000volts (rms) (minimum)

**ENVIRONMENTAL**

FLAMMABILITY	MethodB
HEAT SHOCK	225°C
LOW TEMPERATURE- COLDBEND	-55°C/3.75 inch mandrel
VOLTAGE WITHSTAND (POST ENVIRONMENTAL)	1000volts (rms), 1 minute

**PHYSICAL**

INSULATION (DIELECTRIC) (Prior to Cabling)	
ELONGATION	50% (minimum)
TENSILE STRENGTH	600lbf/in <sup>2</sup> (minimum)
JACKET	
ELONGATION	200% (minimum)
TENSILE STRENGTH	2000lbf/in <sup>2</sup> (minimum)
JACKET THICKNESS	.012inch (nominal)
SHIELD BRAID ANGLE	18° (minimum), 40° (maximum)
SHIELD COVERAGE	90% (minimum)

WEIGHT	16.0lbs/1000ft. (nominal)
--------	---------------------------

Outer jacket will be Transparent white (designated by a "-9X" appended to the part number, e.g., 2026D0024-9X) unless otherwise specified.

Designate outer jacket color with a dash number in accordance with MIL-STD-681.