



Chipsmall Limited consists of a professional team with an average of over 10 year of expertise in the distribution of electronic components. Based in Hongkong, we have already established firm and mutual-benefit business relationships with customers from,Europe,America and south Asia,supplying obsolete and hard-to-find components to meet their specific needs.

With the principle of "Quality Parts,Customers Priority,Honest Operation,and Considerate Service",our business mainly focus on the distribution of electronic components. Line cards we deal with include Microchip,ALPS,ROHM,Xilinx,Pulse,ON,Everlight and Freescale. Main products comprise IC,Modules,Potentiometer,IC Socket,Relay,Connector.Our parts cover such applications as commercial,industrial, and automotives areas.

We are looking forward to setting up business relationship with you and hope to provide you with the best service and solution. Let us make a better world for our industry!



Contact us

Tel: +86-755-8981 8866 Fax: +86-755-8427 6832

Email & Skype: info@chipsmall.com Web: www.chipsmall.com

Address: A1208, Overseas Decoration Building, #122 Zhenhua RD., Futian, Shenzhen, China



Type 1 Mild Steel Splitter Box *CSB Series*

Hinged Door with Screw



Application

- The splitter boxes are designed for indoor distribution of up to 600 A (max) service using either 3 or 4 wires.

Standards

- CSA Type 1
- Complies with
 - IEC 60529, IP20

Construction

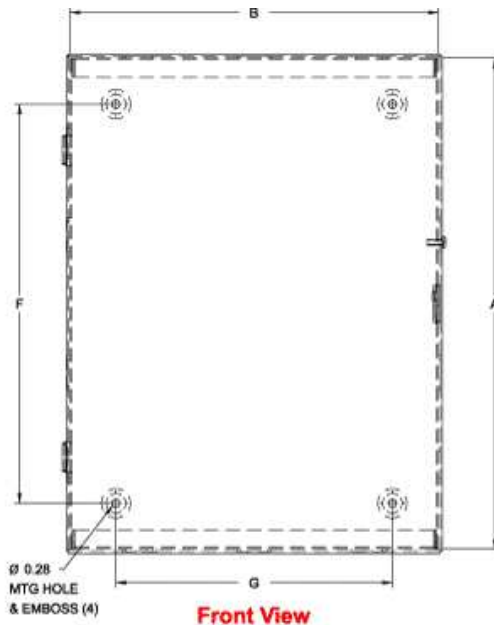
- Formed and spot welded from 14 or 16 gauge steel.
- Factory installed splitter blocks.
- Series of knockouts on each side.
- Padlocking hasp.

Finish

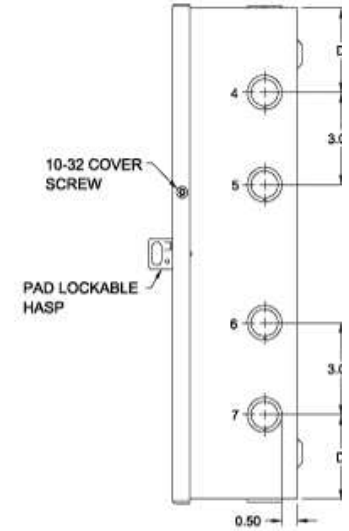
- Enclosure and cover are finished in ANSI 61 gray powder coating.

Accessories

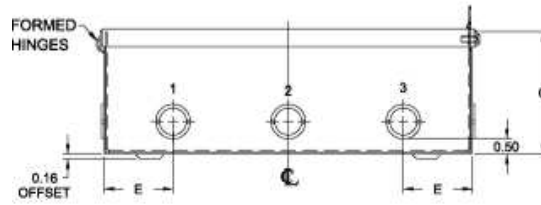
- Splitter Blocks
- Grounding Kits



Front View



Side View



Bottom View

NOTE: KNOCKOUTS TYPICAL ON OPPOSITE SIDES

Part No.			CU/AL	Dimensions						Ship Wt.	Conduit Size (Location)		
3 Wire	4 Wire	Less Blocks	Amps	A	B	C	D	E	F	lbs	1/2"	3/4"	2"
CSB73	CSB74	CSB70	70/70	12.00	10.00	4.00	2.75	2.25	9.00	9	1,3,7	2,4	-
CSB103	CSB104	CSB100	125/120	15.00	10.00	4.00	2.75	2.25	12.00	10	1,2,7	2,4	-
CSB203	CSB204	CSB200	225/225	18.00	12.00	5.00	3.00	3.50	15.00	16	1,3,7	4	1,3
CSB403	CSB404	CSB400	400/340	24.00	17.00	6.00	3.31	4.88	21.00	37	-	-	-
CSB603*	CSB604*	CSB600*	600/574	30.00	24.00	7.00	4.00	5.00	27.00	63	-	-	-

* 14 gauge steel

Data subject to change without notice