



Chipsmall Limited consists of a professional team with an average of over 10 year of expertise in the distribution of electronic components. Based in Hongkong, we have already established firm and mutual-benefit business relationships with customers from,Europe,America and south Asia,supplying obsolete and hard-to-find components to meet their specific needs.

With the principle of “Quality Parts,Customers Priority,Honest Operation,and Considerate Service”,our business mainly focus on the distribution of electronic components. Line cards we deal with include Microchip,ALPS,ROHM,Xilinx,Pulse,ON,Everlight and Freescale. Main products comprise IC,Modules,Potentiometer,IC Socket,Relay,Connector.Our parts cover such applications as commercial,industrial, and automotives areas.

We are looking forward to setting up business relationship with you and hope to provide you with the best service and solution. Let us make a better world for our industry!



Contact us

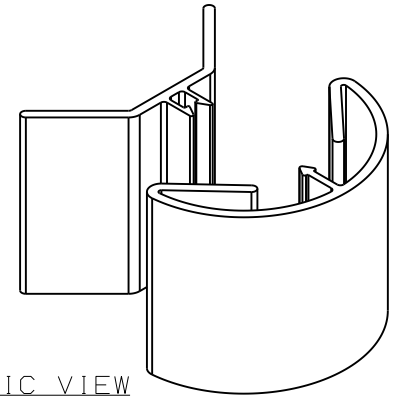
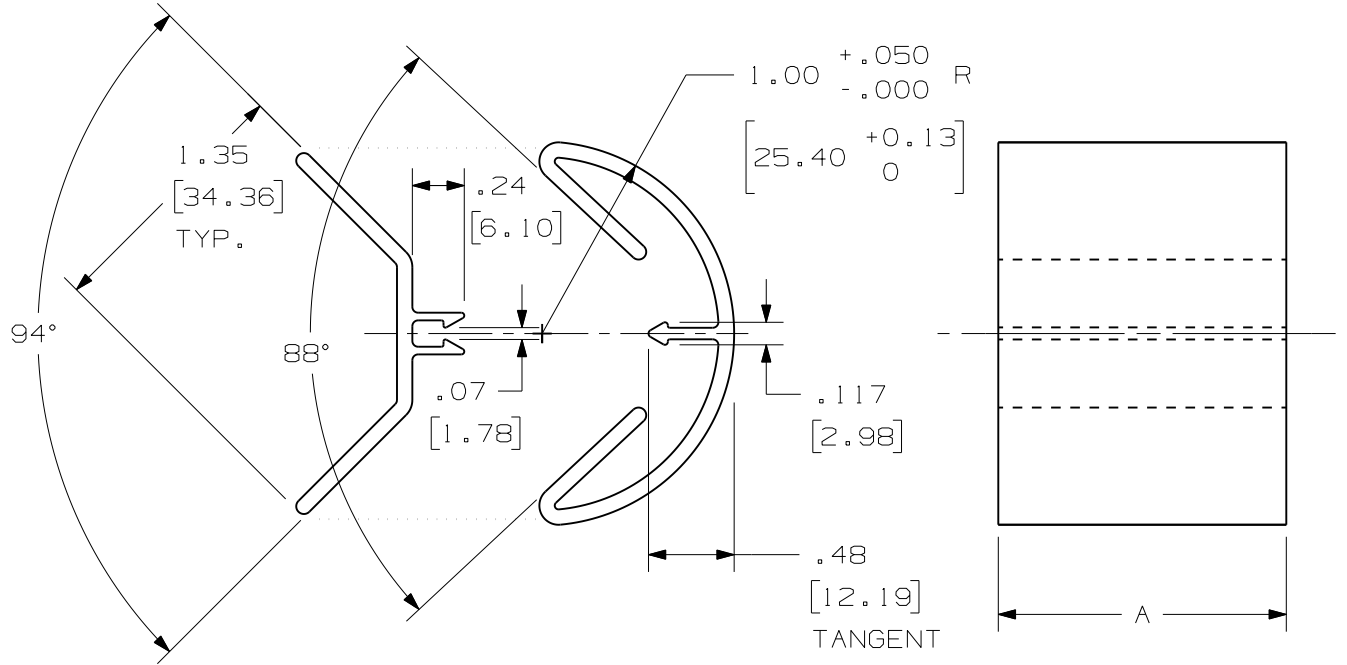
Tel: +86-755-8981 8866 Fax: +86-755-8427 6832

Email & Skype: info@chipsmall.com Web: www.chipsmall.com

Address: A1208, Overseas Decoration Building, #122 Zhenhua RD., Futian, Shenzhen, China



THIS COPY IS PROVIDED ON A RESTRICTED BASIS AND IS NOT TO BE USED IN ANY WAY DETRIMENTAL TO THE INTERESTS OF PANDUIT CORP.



ISOMETRIC VIEW
SCALE: .75X



P/N	LENGTH	
	"A"	TOL.
CSC1**6	72" (1828.8)	+/- .060" (±1.52)



B NOTES:

1. SEE CURRENT CATALOG FOR PART NUMBER DESIGNATIONS FOR TYPE, COLOR, AND LENGTH.
2. IDENTIFICATION: 1" BEND RADIUS CONTROL CORNER.
3. 2-PART ASSEMBLY: (1) INSIDE CORNER AND (1) OUTSIDE CORNER.
4. DIMENSIONS IN PARENTHESIS ARE METRIC.



CAD FILENAME/LAYERS D37355AC_DC_CSC1_CSPC_ASM/02A

PANDUIT CORP. TINLEY PARK, ILLINOIS

1" BEND RADIUS CONTROL
(CSC*/CSPC*-Q)
CUSTOMER DRAWING

UNLESS OTHERWISE SPECIFIED,
DIMENSIONAL TOLERANCES ARE:
(.X) ± (.XXX) ± .010 [.3]
(.XX) ± .03 [.8] ANGLES ± 3°

UNLESS OTHERWISE SPECIFIED,
ALL DIMENSIONS ARE GIVEN
IN INCHES, THIRD ANGLE PROJECTION.

DRAWN BY
JBN
DATE
10-16-00
CHK'D
JKG

MAT'L:
RIGID PVC

SCALE
FULL
DRAWING NO.
37355-03
DWG
A
SIZE

REV	DATE	BY	CHK	DESCRIPTION	ECN	CHK	CUST	SUP
5	5/25/10	LEF	MKBE	G. REMOVED CSC1";CSPC1",1.5",2",3",AND 4" F. CHANGED "HEIGHT" TO "LENGTH"	37355-03	MKBE	MKBE	
4	11-11-09	JCST	MRJS	E. CHANGED "LENGTH" TO "HEIGHT"	37355-03	HIW	HIW	
3	4-12-06	JCST	JKG	D. REV'D LENGTHS & TOLERANCE	37355-03	JKG	JKG	
2	1-9-04	JHNL	JKG	C. DIMENSION WAS 3.44.	37355-03	HIW	HIW	
1	07-23-01	JCST	JKG	B. CHART, NOTES, AND VIEWS CHANGED A. DRAWING SIZE AND TITLE CHANGED	37355-03	JKG	JKG	
R	10-16-00	JBN	JKG	DRAWING RELEASED TO PRODUCTION	37355-03	HIW	HIW	