



Chipsmall Limited consists of a professional team with an average of over 10 year of expertise in the distribution of electronic components. Based in Hongkong, we have already established firm and mutual-benefit business relationships with customers from,Europe,America and south Asia,supplying obsolete and hard-to-find components to meet their specific needs.

With the principle of “Quality Parts,Customers Priority,Honest Operation,and Considerate Service”,our business mainly focus on the distribution of electronic components. Line cards we deal with include Microchip,ALPS,ROHM,Xilinx,Pulse,ON,Everlight and Freescale. Main products comprise IC,Modules,Potentiometer,IC Socket,Relay,Connector.Our parts cover such applications as commercial,industrial, and automotives areas.

We are looking forward to setting up business relationship with you and hope to provide you with the best service and solution. Let us make a better world for our industry!



## Contact us

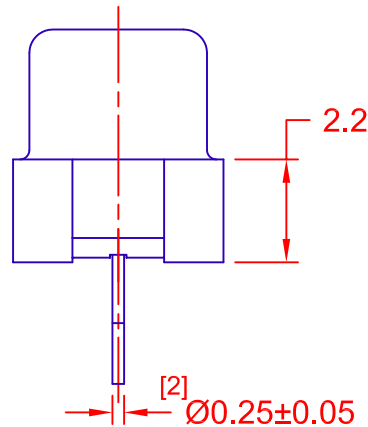
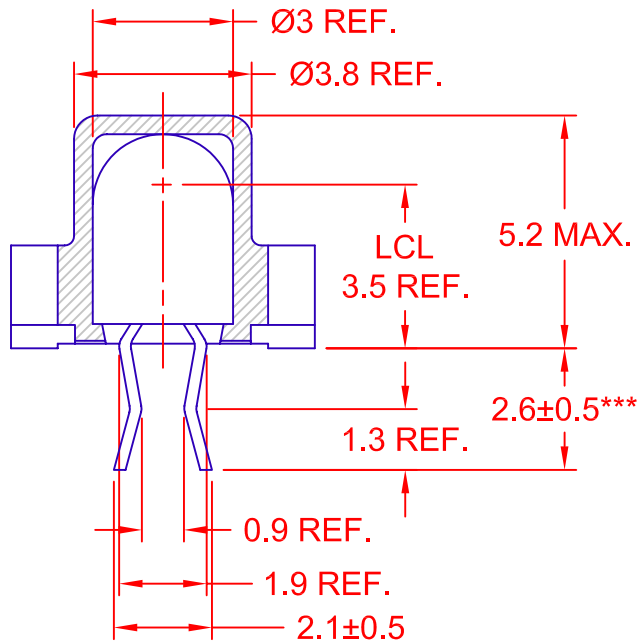
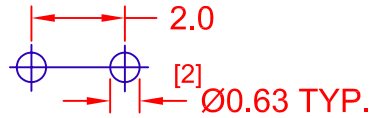
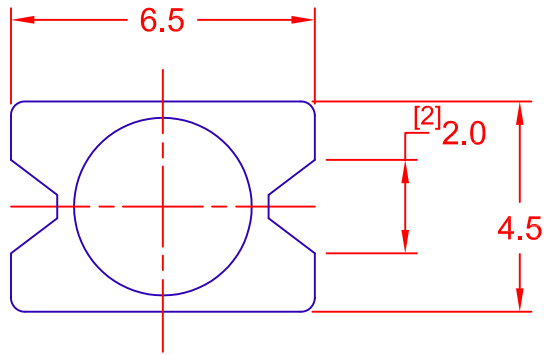
Tel: +86-755-8981 8866 Fax: +86-755-8427 6832

Email & Skype: info@chipsmall.com Web: www.chipsmall.com

Address: A1208, Overseas Decoration Building, #122 Zhenhua RD., Futian, Shenzhen, China



REV.	DESCRIPTION/ECO NO.	DATE
	RELEASE & CANCEL P-0407-16	7/28/04



**JKL PART NUMBER: CSD2-6832FL/39-25-5B**

**LAMP NUMBER: 6832\*\***

VOLTS RATED	AMPS ± 10%	*MSCP ± 25%	*LUMENS ± 25%	AVERAGE LIFE HRS.	FILAMENT TYPE
5.0	.060	.050	.630	20,000****	C-2R

\*LAMP RATING ONLY.

\*\*LAMP GLASS LEAD (Pb) FREE.

\*\*\*CONTROLLED DURING MANUFACTURING PROCESS ONLY.

\*\*\*\*DERIVED FROM ACCELERATED TESTING.

CONTACT JKL FOR LEAD (Pb) FREE LOT IDENTIFICATION.

**FILTER NUMBER: 39-25-5B**

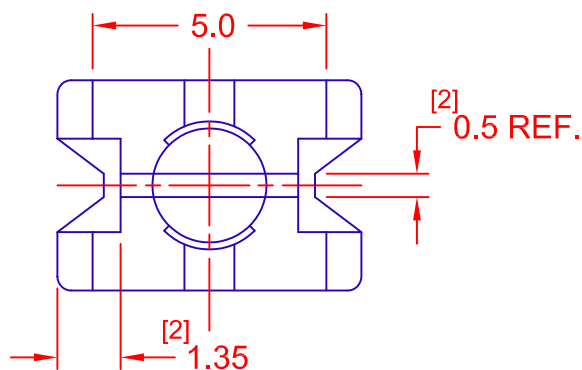
**COLOR COORDINATES**

x = .2549 ± .025

y = .4429 ± .025

**FILTER COLOR**

**TOYOTA  
BLUE/WHITE**



METRIC		DIMENSIONS ARE IN MILLIMETERS		JKL COMPONENTS CORPORATION			
 THIRD ANGLE PROJECTION		TOLERANCE UNLESS OTHERWISE SPECIFIED		TITLE			
		1 PL +/- 0.2 2 PL +/- 0.20 ANGLE +/- 0		T-1 RUBBER BODY LAMP			
DRAWN BY L. WENGSTROM	APPV'D BY J. KAHL	DATE 4/5/05	SIZE A	FSCM NO. 55335	DRAWING NO. CSD2-6832FL/39-25-5B		
- CAD DRAWING - MANUAL REVISIONS NOT PERMITTED			SCALE NONE	RELEASED DATE 4/5/05	REVISION DATE	REV. NO.	SHEET 1 OF 1