



Chipsmall Limited consists of a professional team with an average of over 10 year of expertise in the distribution of electronic components. Based in Hongkong, we have already established firm and mutual-benefit business relationships with customers from,Europe,America and south Asia,supplying obsolete and hard-to-find components to meet their specific needs.

With the principle of “Quality Parts,Customers Priority,Honest Operation,and Considerate Service”,our business mainly focus on the distribution of electronic components. Line cards we deal with include Microchip,ALPS,ROHM,Xilinx,Pulse,ON,Everlight and Freescale. Main products comprise IC,Modules,Potentiometer,IC Socket,Relay,Connector.Our parts cover such applications as commercial,industrial, and automotives areas.

We are looking forward to setting up business relationship with you and hope to provide you with the best service and solution. Let us make a better world for our industry!



Contact us

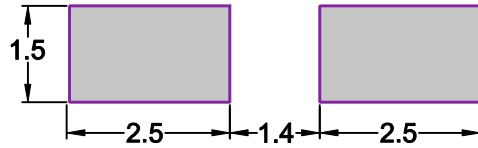
Tel: +86-755-8981 8866 Fax: +86-755-8427 6832

Email & Skype: info@chipsmall.com Web: www.chipsmall.com

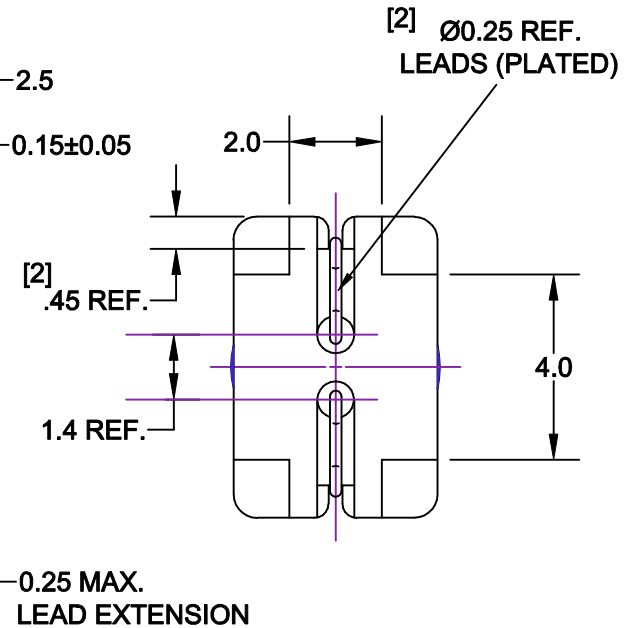
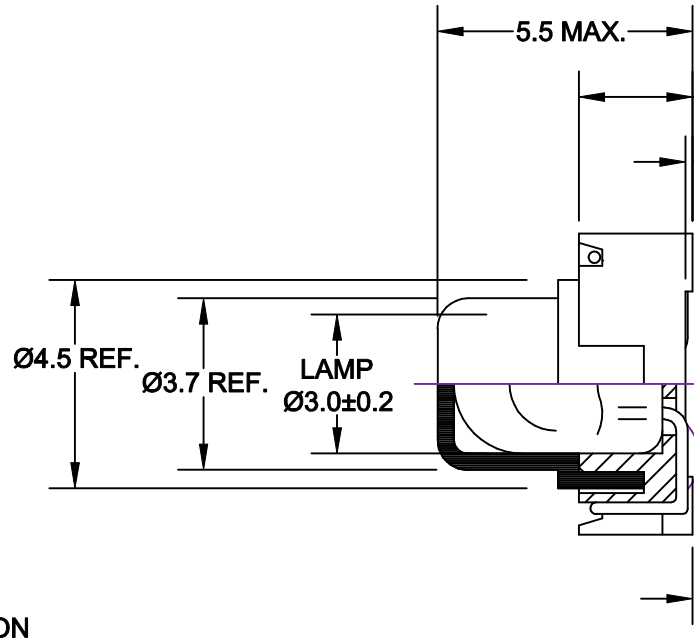
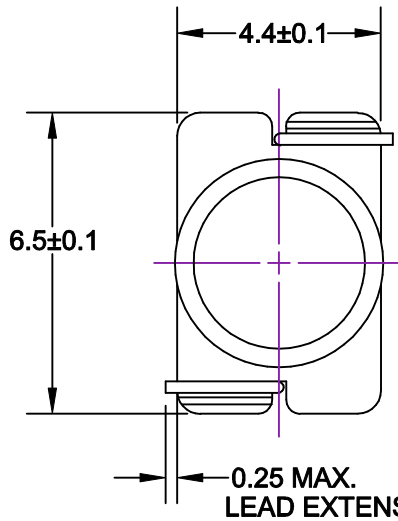
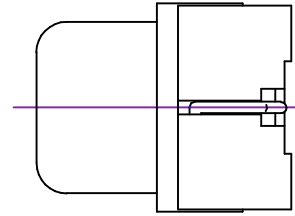
Address: A1208, Overseas Decoration Building, #122 Zhenhua RD., Futian, Shenzhen, China



REV.	DESCRIPTION/ECO NO.	DATE
	RELEASED - was P-9911-14-2 and FILTER 39-26-150	11/23/99
A	CHANGE LEAD CUTAWAY PROFILE	11/29/99
B	ADD NOTE & DIM CHNGS.	1/25/00
C	DELETE NOTE	11/28/00



RECOMMENDED DIMENSIONS FOR PC-BOARD PAD



LAMP NUMBER: 7152					
VOLTS RATED	AMPS ± 10%	*MSCP ± 25%	*LUMENS ± 25%	AVERAGE LIFE HRS.	FILAMENT TYPE
5.0	.115	.150	1.89	20,000**	C-2R

*LAMP RATING ONLY WITHOUT BASE AND FILTER

FILTER NUMBER: 39-26-1A	
COLOR REF.	COORDINATES
RED PONTIAC	x = 0.6920 ± .025 y = 0.3036 ± .025

**DERIVED FROM ACCELERATED TESTING

JKL PART NUMBER: CSD4-7152/39-26-1A

 THIRD ANGLE PROJECTION	DIMENSIONS ARE IN MILLIMETERS TOLERANCE UNLESS OTHERWISE SPECIFIED 1 PL +/- 0.2 2 PL +/- 0.20 ANGLE +/- 0	JKL COMPONENTS CORPORATION				
	DRAWN BY L. WENGSTROM	APPVD BY JK	DATE 11/28/00	SIZE A	FSCM NO. 55335	DRAWING NO. CSD4-7152/39-26-1A
- CAD DRAWING - MANUAL REVISIONS NOT PERMITTED			SCALE NONE	RELEASED DATE 11/29/99	REVISION DATE 11/28/00	SHEET 1 OF 1