



Chipsmall Limited consists of a professional team with an average of over 10 year of expertise in the distribution of electronic components. Based in Hongkong, we have already established firm and mutual-benefit business relationships with customers from,Europe,America and south Asia,supplying obsolete and hard-to-find components to meet their specific needs.

With the principle of “Quality Parts,Customers Priority,Honest Operation,and Considerate Service”,our business mainly focus on the distribution of electronic components. Line cards we deal with include Microchip,ALPS,ROHM,Xilinx,Pulse,ON,Everlight and Freescale. Main products comprise IC,Modules,Potentiometer,IC Socket,Relay,Connector.Our parts cover such applications as commercial,industrial, and automotives areas.

We are looking forward to setting up business relationship with you and hope to provide you with the best service and solution. Let us make a better world for our industry!



## Contact us

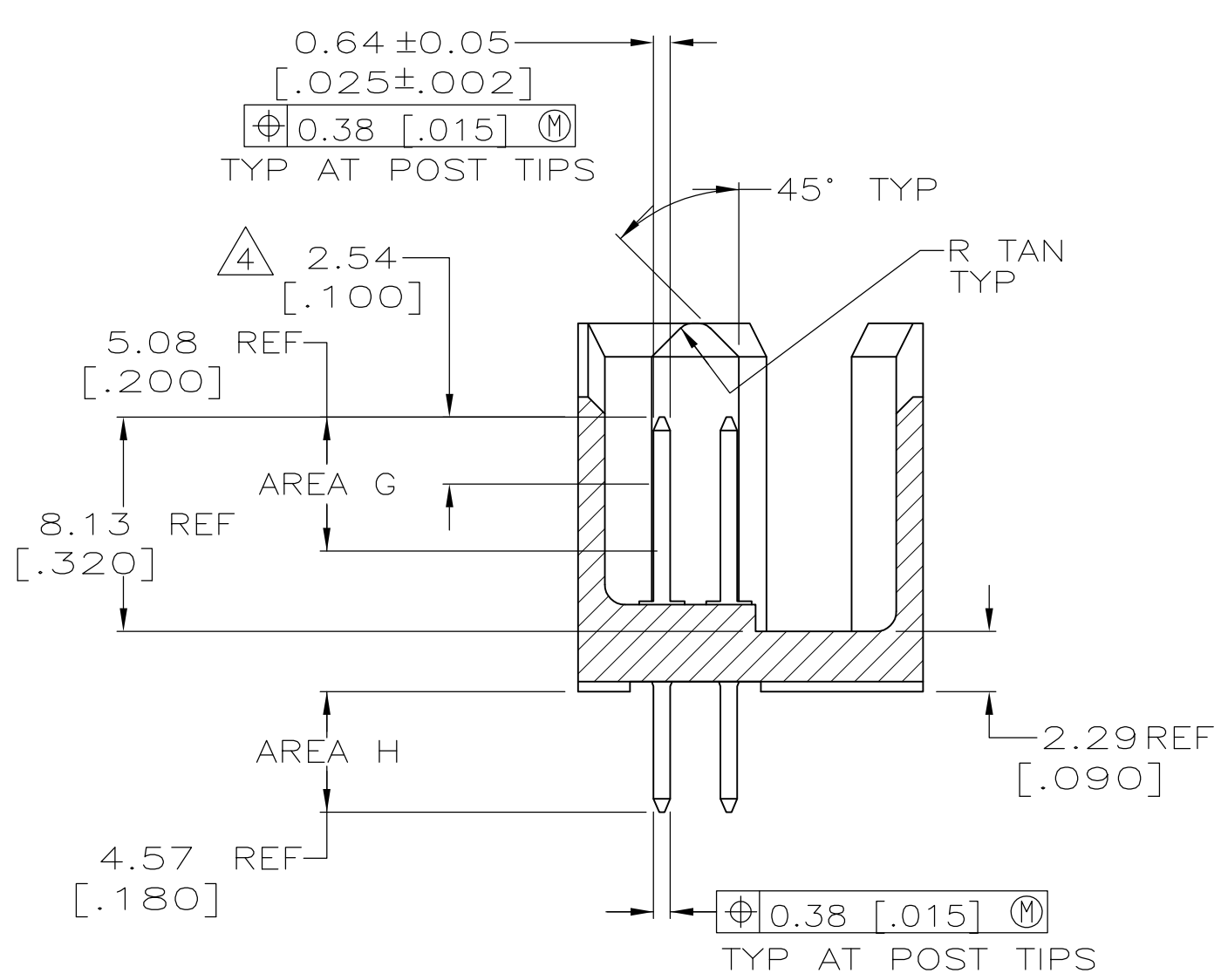
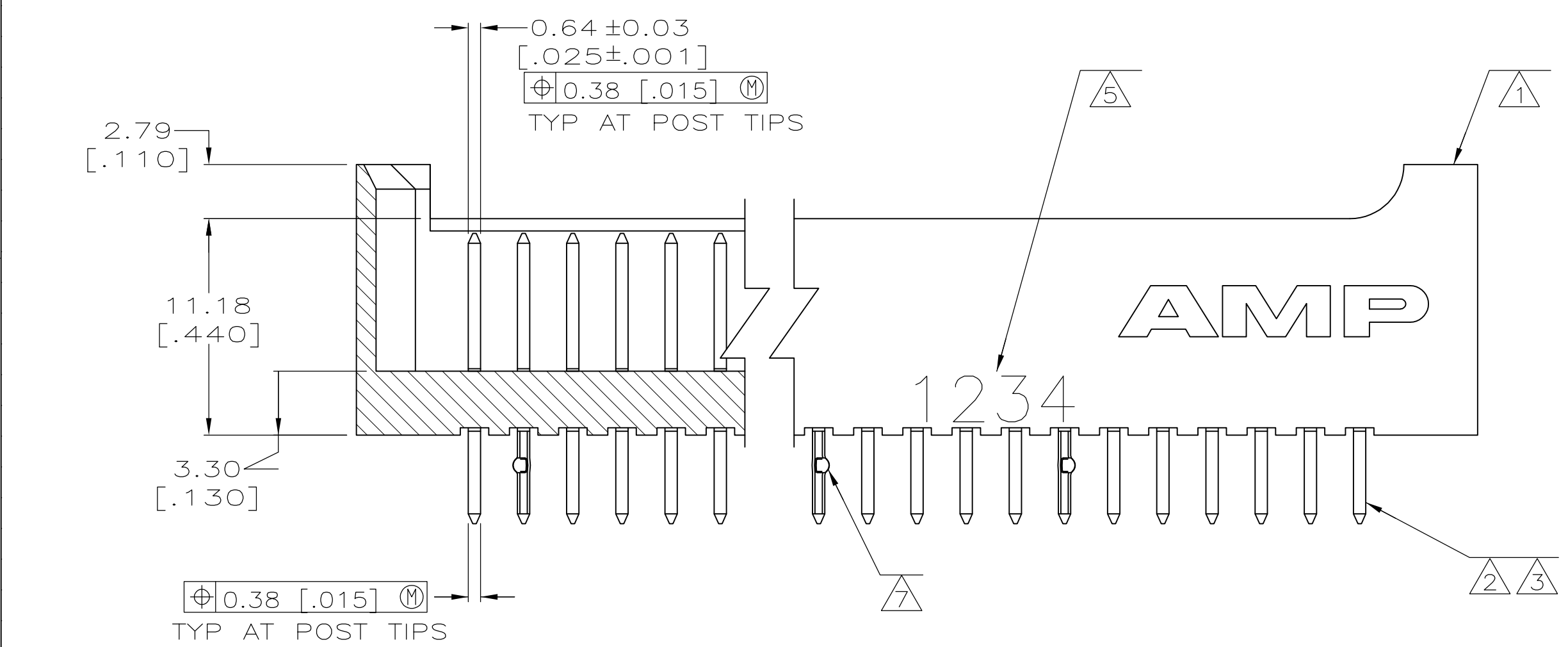
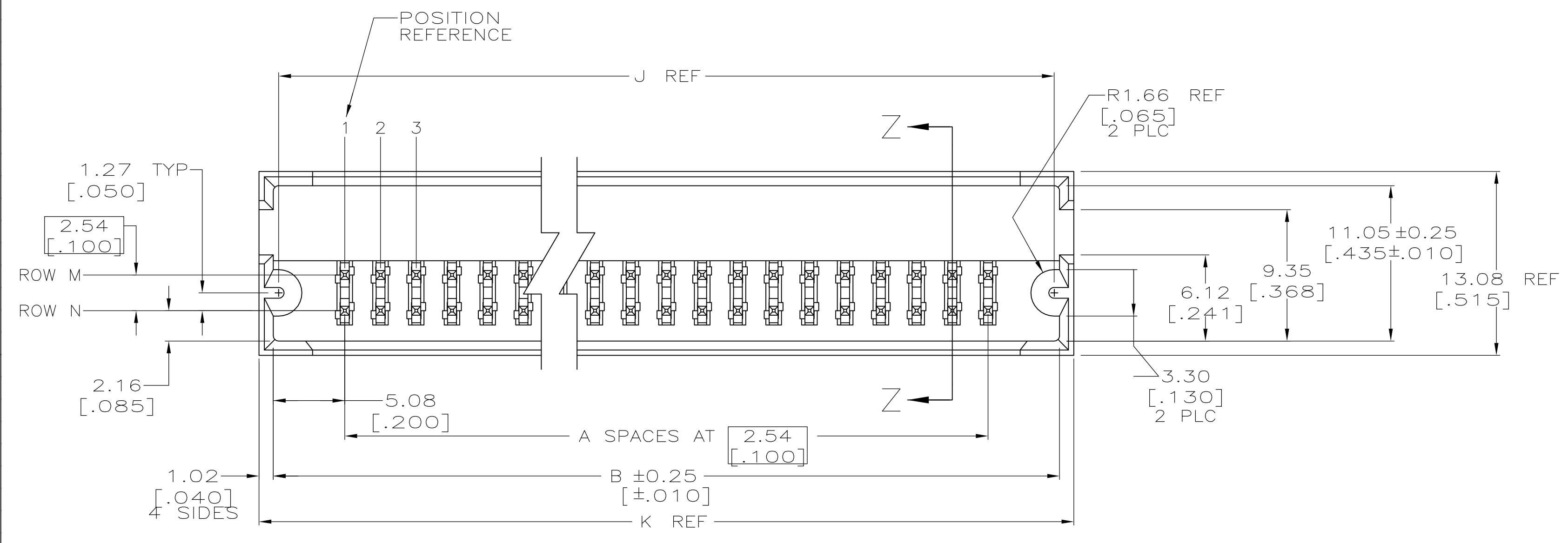
Tel: +86-755-8981 8866 Fax: +86-755-8427 6832

Email & Skype: info@chipsmall.com Web: www.chipsmall.com

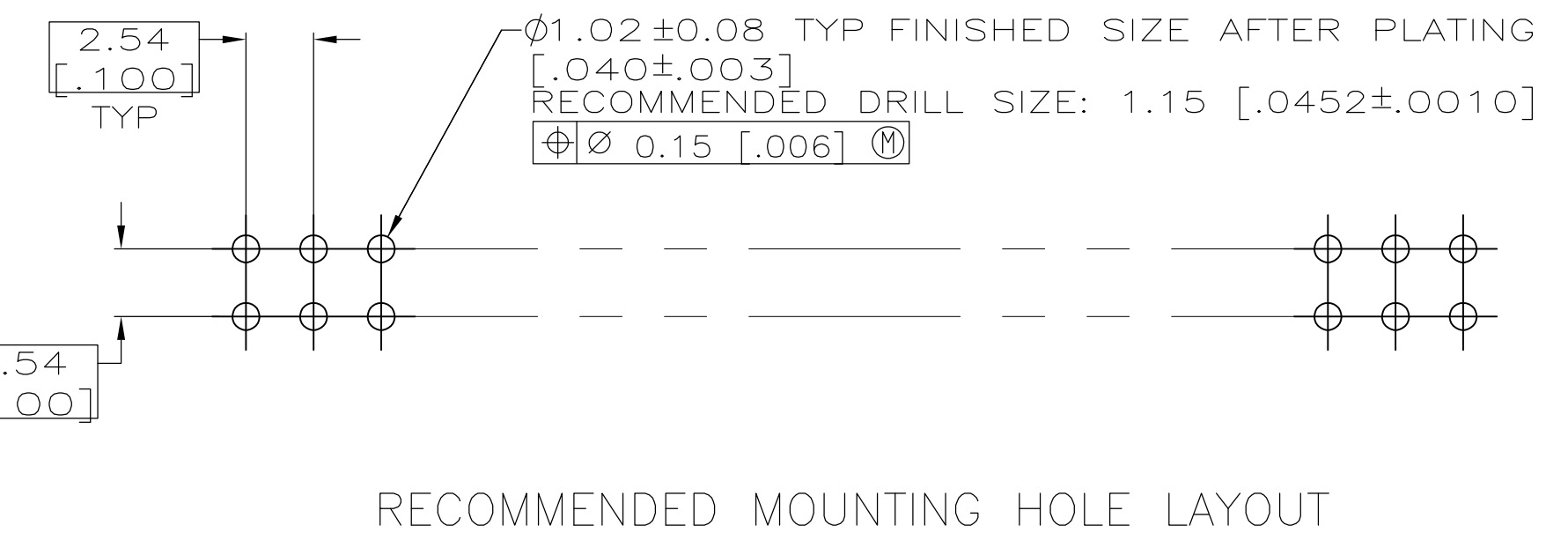
Address: A1208, Overseas Decoration Building, #122 Zhenhua RD., Futian, Shenzhen, China



REVISONS		DATE	BY	APPV
N2	ECO-07-016583	11DEC07	MB	JO
N3	REVISED PER ECO-10-000443	12JAN10	KK	AEG



SECTION Z-Z  
ROTATED 90° CW



- 1 HOUSING: FLAME RETARDANT THERMOPLASTIC; COLOR: BLACK.
- 2 POST: COPPER ALLOY.
- 3 POST FINISH: 0.00038 [0.00015] GOLD IN AREA G, 0.00254-0.00508 [0.00100-0.00200] BRIGHT TIN-LEAD IN AREA H, ALL OVER 0.00127 [0.00050] NICKEL.
- 4 POINT OF MEASUREMENT FOR PLATING THICKNESS.
- 5 RECESSED DATE CODE.
- 6 CSA LOGO RECESS STAMPED ON HOUSING.
- 7 BOARD RETENTION FEATURE WHERE INDICATED.
- 8 POST FINISH: 0.00038 [0.00015] GOLD IN AREA G, 0.00254-0.00508 [0.00100-0.00200] MATTE TIN IN AREA H, ALL OVER 0.00127 [0.00050] NICKEL.
- 9 ROHS 2002/95/EC COMPLIANT
- 10 OBSOLETE PARTS: OBSOLETE CIS STREAMLINING PER D.RENAUD/D.SINISI

FINISH	ROW M	ROW N	BOARD RETENTION LOCATION	K	J	B	A	NO OF POSN	PART NUMBER	
10	OBSOLETE			2,23,67,99	2,23,67,99	263.65	260.86	261.62	99 200	6-534257-9
10	OBSOLETE			1,2,5,6	1,2,5,6	10.380	10.270	10.300	5 12	6-534257-8
10	OBSOLETE			1,2,6,7,11,12	1,2,6,7,11,12	40.13	37.34	38.10	11 24	6-534257-7
10	OBSOLETE			1,2,12,13,24,25	1,2,12,13,24,25	1.580	1.470	1.500	24 50	6-534257-6
10	OBSOLETE			8, 13, 18	8, 13, 18	2.880	2.770	2.800	24 50	6-534257-5
10	OBSOLETE			3, 4, 5	3, 4, 5	2.880	2.770	2.800	7 16	6-534257-4
10	OBSOLETE			2, 24, 47	2, 24, 47	131.57	128.78	129.54	47 96	6-534257-3
10	OBSOLETE			2, 18, 34	2, 18, 34	98.55	95.76	96.52	34 70	6-534257-2
10	OBSOLETE			2, 15, 29	2, 15, 29	85.85	83.06	83.82	29 60	6-534257-1
10	OBSOLETE	8		5, 10, 15	5, 10, 15	60.45	57.66	58.42	19 40	6-534257-0
10	OBSOLETE			4, 9, 14	4, 9, 14	55.37	52.58	53.34	17 36	6-534257-9
10	OBSOLETE			3, 8, 13	3, 8, 13	47.75	44.96	45.72	14 30	6-534257-8
10	OBSOLETE			5, 6, 7	5, 6, 7	40.13	37.34	38.10	11 24	6-534257-7
10	OBSOLETE			4, 5, 6	4, 5, 6	35.05	32.26	33.02	9 20	6-534257-6
10	OBSOLETE			2, 3, 4	2, 3, 4	24.89	22.10	22.86	5 12	6-534257-5
10	OBSOLETE			2, 27, 53, 79	2, 27, 53, 79	212.85	210.06	210.82	79 160	6-534257-4
10	OBSOLETE			2, 20, 40, 59	2, 20, 40, 59	162.05	159.26	160.02	59 120	6-534257-3
10	OBSOLETE			2, 17, 33, 49	2, 17, 33, 49	136.65	133.86	134.62	49 100	6-534257-2
10	OBSOLETE			2, 20, 39	2, 20, 39	111.25	108.46	109.22	39 80	6-534257-1
10	OBSOLETE			2,23,67,99	2,23,67,99	10.380	10.270	10.300	99 200	6-534257-9
10	OBSOLETE			1,2,5,6	1,2,5,6	9.801	9.701	9.901	5 12	6-534257-8
10	OBSOLETE			1,2,6,7,11,12	1,2,6,7,11,12	40.13	37.34	38.10	11 24	6-534257-7
10	OBSOLETE			1,2,12,13,24,25	1,2,12,13,24,25	1.580	1.470	1.500	24 50	6-534257-6
10	OBSOLETE			8, 13, 18	8, 13, 18	2.880	2.770	2.800	24 50	6-534257-5
10	OBSOLETE			3, 4, 5	3, 4, 5	2.880	2.770	2.800	7 16	6-534257-4
10	OBSOLETE			2, 24, 47	2, 24, 47	131.57	128.78	129.54	47 96	6-534257-3
10	OBSOLETE			2, 18, 34	2, 18, 34	98.55	95.76	96.52	34 70	6-534257-2
10	OBSOLETE			2, 15, 29	2, 15, 29	85.85	83.06	83.82	29 60	6-534257-1
10	OBSOLETE	3		5, 10, 15	5, 10, 15	60.45	57.66	58.42	19 40	6-534257-0
10	OBSOLETE			4, 9, 14	4, 9, 14	55.37	52.58	53.34	17 36	6-534257-9
10	OBSOLETE			3, 8, 13	3, 8, 13	47.75	44.96	45.72	14 30	6-534257-8
10	OBSOLETE			5, 6, 7	5, 6, 7	40.13	37.34	38.10	11 24	6-534257-7
10	OBSOLETE			4, 5, 6	4, 5, 6	35.05	32.26	33.02	9 20	6-534257-6
10	OBSOLETE			2, 3, 4	2, 3, 4	24.89	22.10	22.86	5 12	6-534257-5
10	OBSOLETE			2, 27, 53, 79	2, 27, 53, 79	212.85	210.06	210.82	79 160	6-534257-4
10	OBSOLETE			2, 20, 40, 59	2, 20, 40, 59	162.05	159.26	160.02	59 120	6-534257-3
10	OBSOLETE			2, 17, 33, 49	2, 17, 33, 49	136.65	133.86	134.62	49 100	6-534257-2
10	OBSOLETE			2, 20, 39	2, 20, 39	111.25	108.46	109.22	39 80	6-534257-1

THIS DRAWING IS A CONTROLLED DOCUMENT. **Tyco Electronics** Corporation Harrisburg, PA 17105-3608

DATE: 4/8/91  
 BY: K.L.CLOUSER/UTA  
 CHK: D.SARVER  
 APPV: -

PRODUCT SPEC: HEADER ASSY, MOD II, DOUBLE ROW, 2.54 X 2.54 [.100 X .100] 0.64 [.025] SQUARE POST, BOARD RETENTION FEATURE

APPLICATION SPEC: -

SIZE: A1  
 CASE CODE: 00779  
 DRAWING NO: 534257

WEIGHT: -

MATERIAL: -

FINISH: SEE TABLE

CUSTOMER DRAWING: -

SCALE: 4:1

SHEET: 1 of 1

REV: N3