



Chipsmall Limited consists of a professional team with an average of over 10 year of expertise in the distribution of electronic components. Based in Hongkong, we have already established firm and mutual-benefit business relationships with customers from,Europe,America and south Asia,supplying obsolete and hard-to-find components to meet their specific needs.

With the principle of “Quality Parts,Customers Priority,Honest Operation,and Considerate Service”,our business mainly focus on the distribution of electronic components. Line cards we deal with include Microchip,ALPS,ROHM,Xilinx,Pulse,ON,Everlight and Freescale. Main products comprise IC,Modules,Potentiometer,IC Socket,Relay,Connector.Our parts cover such applications as commercial,industrial, and automotives areas.

We are looking forward to setting up business relationship with you and hope to provide you with the best service and solution. Let us make a better world for our industry!



Contact us

Tel: +86-755-8981 8866 Fax: +86-755-8427 6832

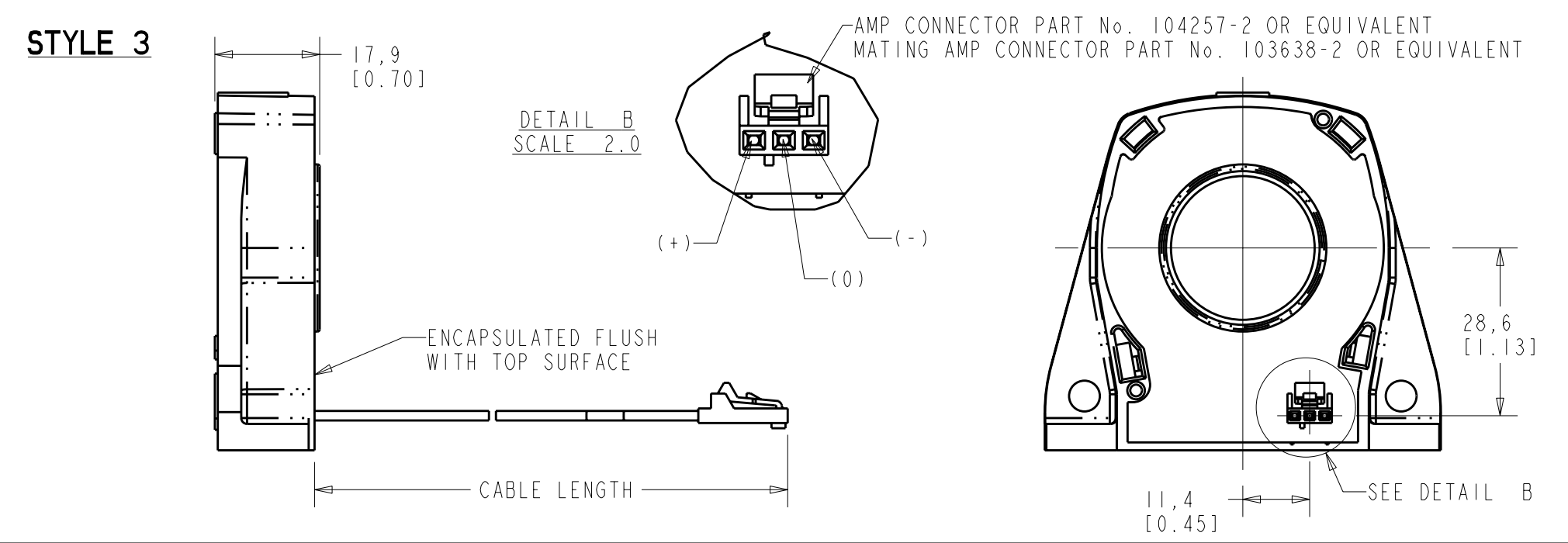
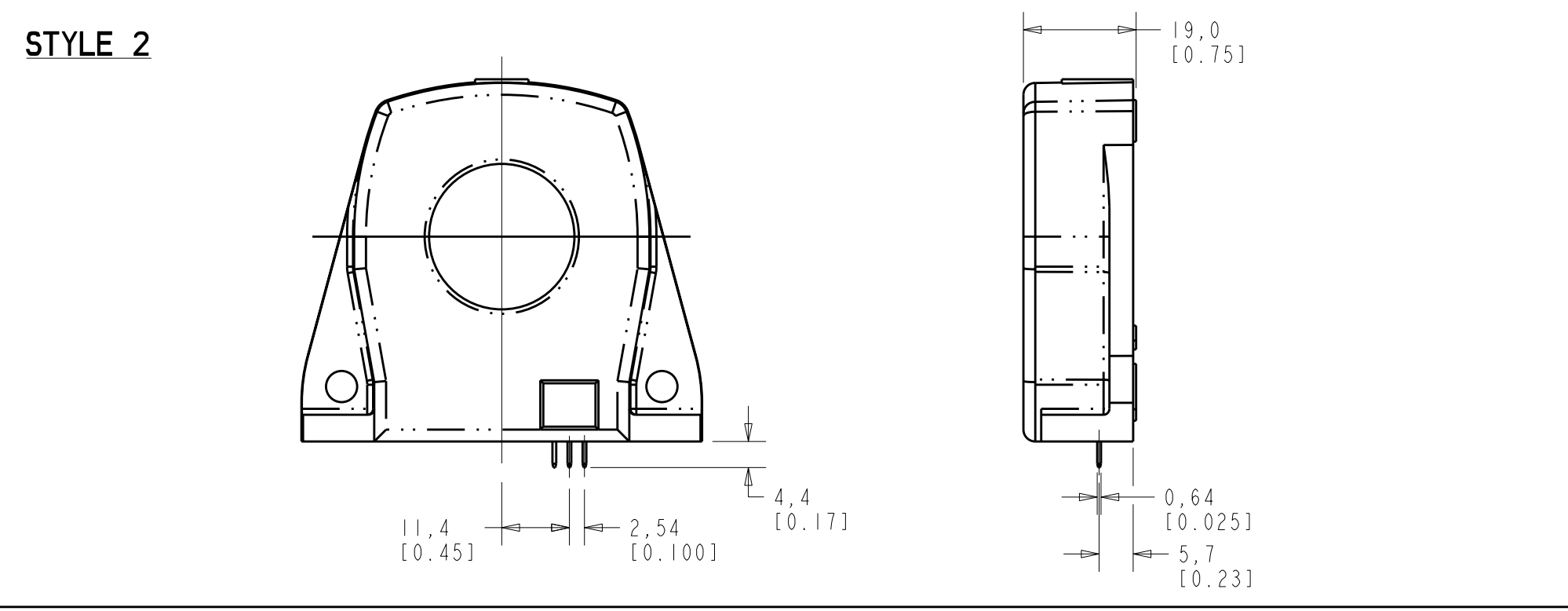
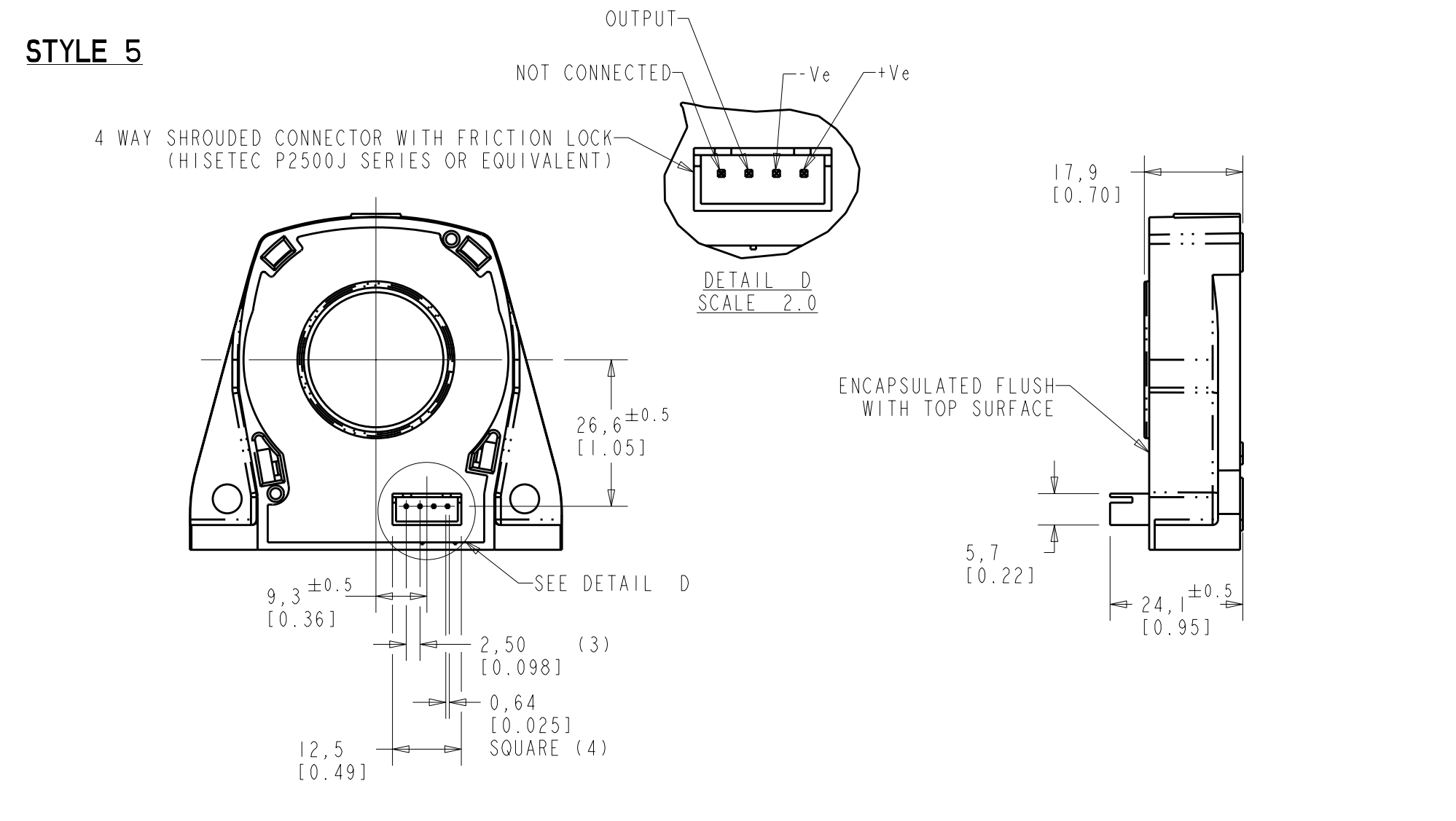
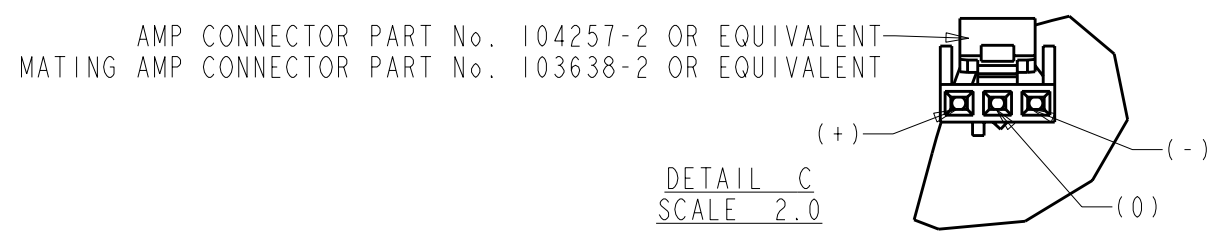
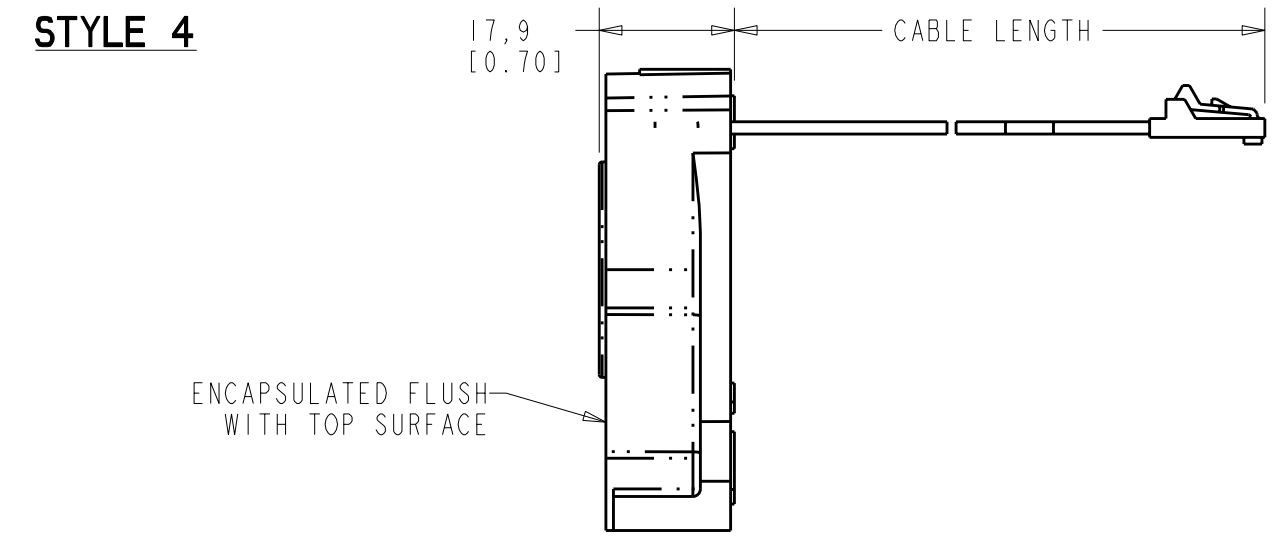
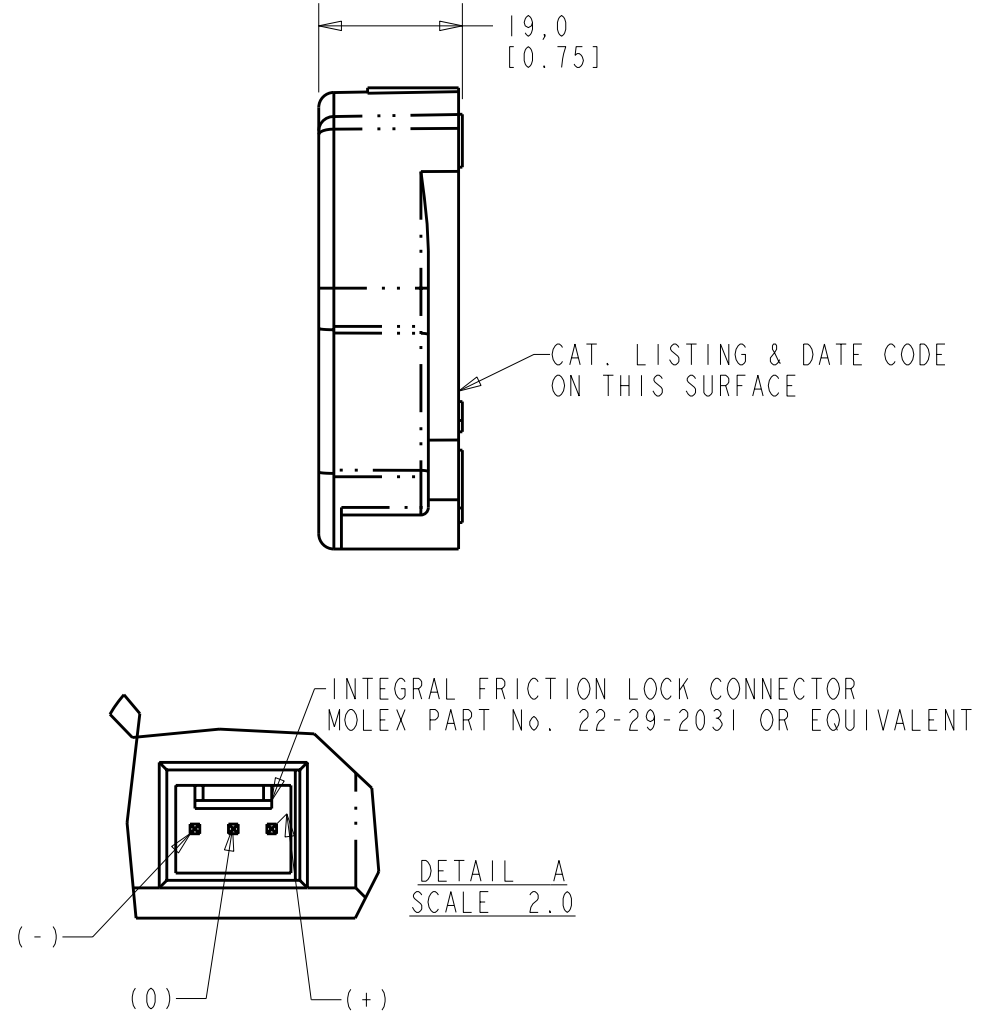
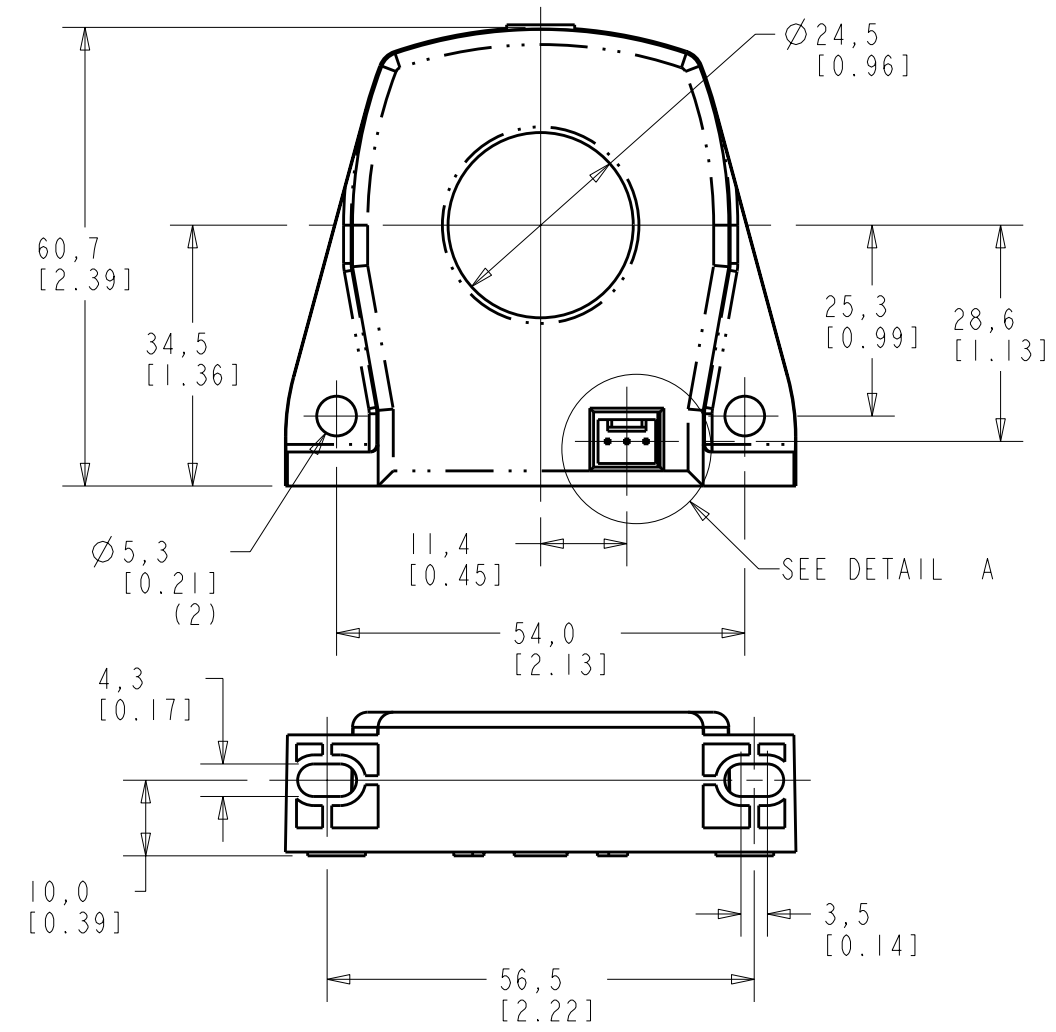
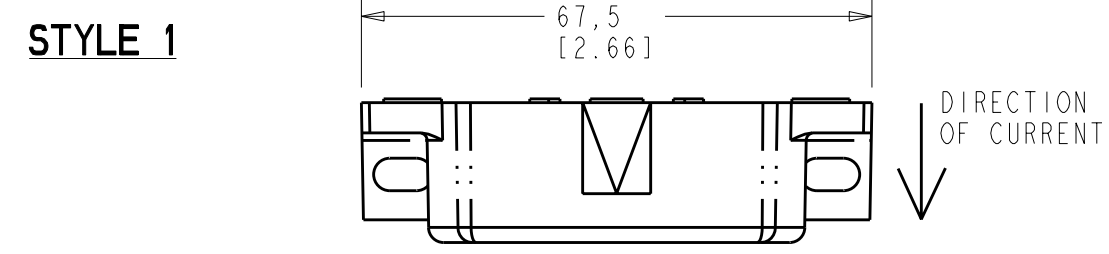
Email & Skype: info@chipsmall.com Web: www.chipsmall.com

Address: A1208, Overseas Decoration Building, #122 Zhenhua RD., Futian, Shenzhen, China



CATALOGUE LISTING	ISSUE	STYLE	SUPPLY VOLTAGE	SENSING RANGE			OUTPUT NOMINAL	MAXIMUM COIL RESISTANCE AT 70°C	No. OF TURNS	SECONDARY CONNECTION	CABLE LENGTH
				NOMINAL	MAXIMUM DC	MAX AC Pk					
CSNS300M	1	1	±12V TO ±15V	300A	600A	600A	150mA	34Ω	2000	INTEGRAL CONNECTOR	200 ±5 (7.9 ±0.1)
CSNS300P	1	2								PCB MOUNTING PINS	
CSNS300F	1	3								CONNECTOR ON RIBBON CABLE	
CSNS300F-001	2	4									
CSNS300F-002	2	4	64 (2.5)								
CSNS300M-001	1	5	±18V							INTEGRAL CONNECTOR	
CSNS300M-500	1	1								825A	

NOTES:-
 1. HOUSING MATERIAL IS GLASS FILLED PBT.
 2. OPERATING TEMPERATURE : -40°C TO +85°C.
 3. PRIMARY CONNECTION : THROUGH HOLE.



DIMENSIONS ARE IN MILLIMETRES [INCHES]		FOR EXPLANATION OF DIMENSIONS, TOLERANCES, NOTES ETC. SEE B.S. 308		THIRD ANGLE PROJECTION	THE COPYRIGHT OF THIS DRAWING IS THE PROPERTY OF HONEYWELL LTD. THE DRAWING IS SUPPLIED IN CONFIDENCE AND MUST NOT BE USED FOR ANY PURPOSE OTHER THAN THAT FOR WHICH IT IS SUPPLIED	
MODIFY ON PRO-ENGINEER SYSTEM ONLY						
DRAWN		TITLE 300A NULL BALANCE CURRENT SENSOR			SHT 1 OF 1	
DRAFTING CHECK					DRAWING NUMBER	
DESIGN CHECK					MTG-CSN-320	
AUTHORISATION		TOLERANCES UNLESS OTHERWISE STATED			SCALE 1/1	
		±0.2		Honeywell	DO NOT SCALE PRINT	
DIMENSIONS SPECIFIED ARE TO BE MET BEFORE PROTECTIVE COATINGS ARE APPLIED					A2 FORMAT	
					ISSUE 4	