



Chipsmall Limited consists of a professional team with an average of over 10 year of expertise in the distribution of electronic components. Based in Hongkong, we have already established firm and mutual-benefit business relationships with customers from,Europe,America and south Asia,supplying obsolete and hard-to-find components to meet their specific needs.

With the principle of "Quality Parts,Customers Priority,Honest Operation,and Considerate Service",our business mainly focus on the distribution of electronic components. Line cards we deal with include Microchip,ALPS,ROHM,Xilinx,Pulse,ON,Everlight and Freescale. Main products comprise IC,Modules,Potentiometer,IC Socket,Relay,Connector.Our parts cover such applications as commercial,industrial, and automotives areas.

We are looking forward to setting up business relationship with you and hope to provide you with the best service and solution. Let us make a better world for our industry!



## Contact us

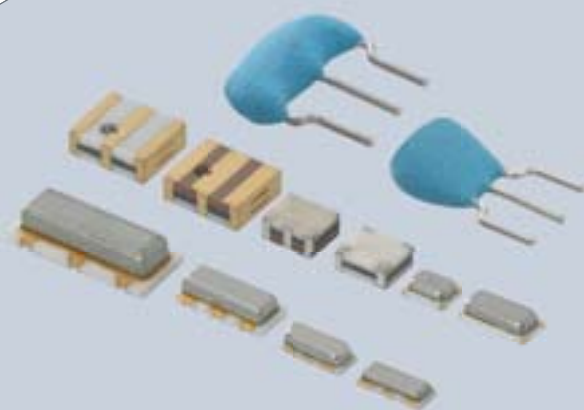
Tel: +86-755-8981 8866 Fax: +86-755-8427 6832

Email & Skype: info@chipsmall.com Web: www.chipsmall.com

Address: A1208, Overseas Decoration Building, #122 Zhenhua RD., Futian, Shenzhen, China



# Ceramic Resonators (CERALOCK<sup>®</sup>)





### **EU RoHS Compliant**

- All the products in this catalog comply with EU RoHS.
- EU RoHS is "the European Directive 2011/65/EU on the Restriction of the Use of Certain Hazardous Substances in Electrical and Electronic Equipment."
- For more details, please refer to our website 'Murata's Approach for EU RoHS' (<http://www.murata.com/en-eu/support/compliance/rohs>).

# Contents

Product specifications are as of December 2015.

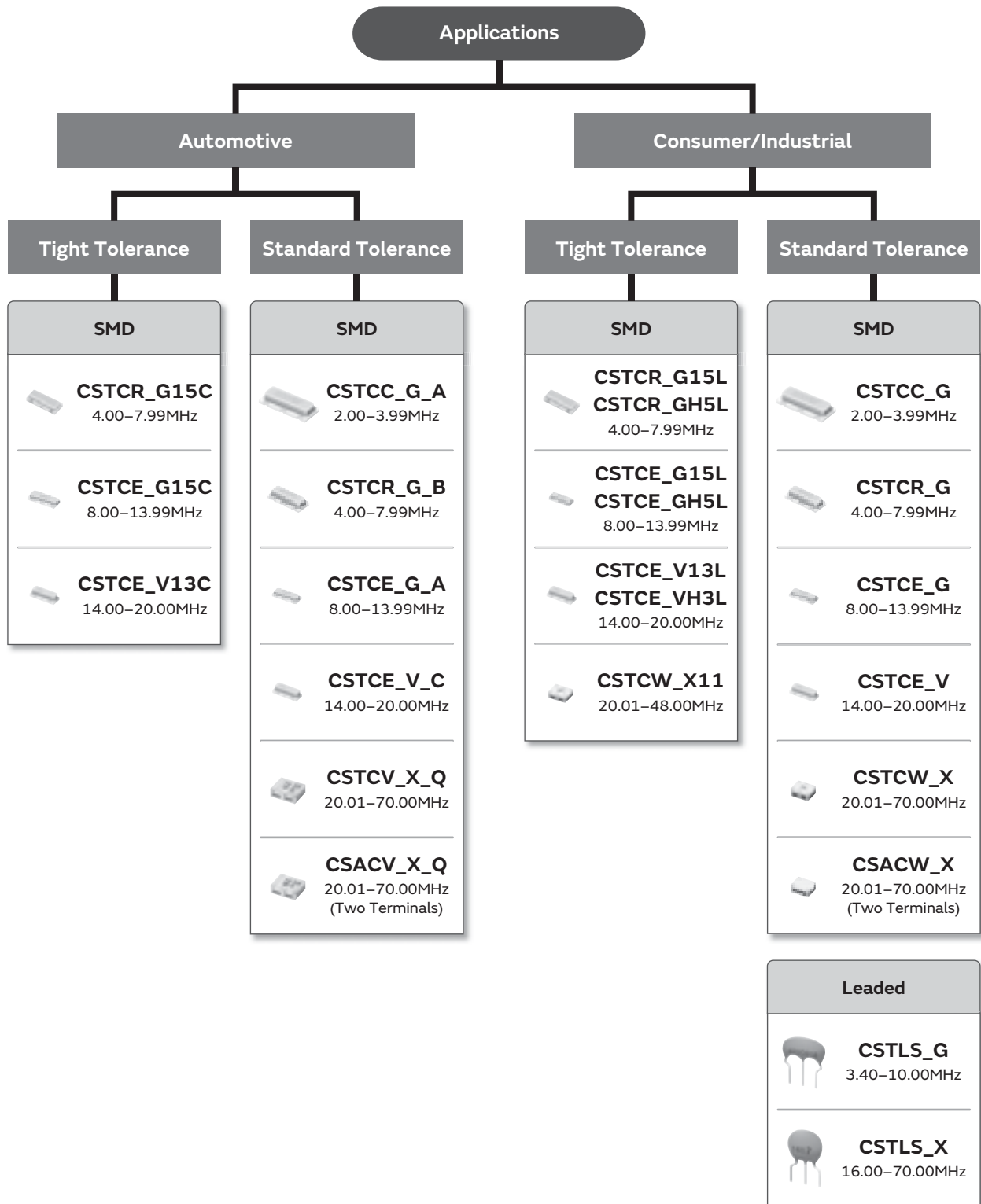
CERALOCK®, CERALOCK(R) and "CERALOCK"  
 in this catalog are the trademarks of  
 Murata Manufacturing Co., Ltd.

Selection Guide .....	p2
Part Numbering .....	p3
<hr/>	
<b>1 MHz Chip Type -Tight Frequency</b>	
<b>Tolerance for Automotive</b> .....	p4
<b>Application Circuits Utilization</b> .....	p6
<hr/>	
<b>2 MHz Chip Type -Standard Frequency</b>	
<b>Tolerance for Automotive</b> .....	p7
<b>Application Circuits Utilization</b> .....	p11
<hr/>	
Notice for Automotive .....	p12
Packaging for Automotive .....	p17
<hr/>	
<b>3 MHz Chip Type</b>	
<b>-Tight Frequency Tolerance</b>	
<b>for Consumer/Industrial Usage</b> .....	p19
<b>Application Circuits Utilization</b> .....	p22
<hr/>	
<b>4 MHz Chip Type</b>	
<b>-Standard Frequency Tolerance</b>	
<b>for Consumer/Industrial Usage</b> .....	p23
<b>Application Circuits Utilization</b> .....	p27
<hr/>	
<b>5 MHz Lead Type</b>	
<b>-Standard Frequency Tolerance</b>	
<b>for Consumer/Industrial Usage</b> .....	p29
<b>Application Circuits Utilization</b> .....	p31
<hr/>	
Notice for Consumer/Industrial Usage	
MHz Chip Type .....	p32
MHz Lead Type .....	p37
Packaging for Consumer/Industrial Usage	
MHz Chip Type .....	p38
MHz Lead Type .....	p40

Please check the MURATA website (<http://www.murata.com/>) if you cannot find a part number in this catalog.



# Selection Guide



Notice: "CERALOCK® for consumer" and "CERALOCK® for automotive" is different in the specification of Operating Temperature Range, Environmental Characteristics, Physical Characteristics and so on. Please choose either "for consumer" or "for automotive" according to the required specification.



● Part Numbering

CERALOCK® (MHz)



① Product ID

Product ID	
CS	Ceramic Resonators

② Frequency/Capacitance

Code	Frequency/Capacitance
A	MHz without Built-in Capacitance
T	MHz with Built-in Capacitance

③ Structure/Size

Code	Structure/Size
LS	Round Lead Type
CC	Cap Chip Type
CR/CE	Small-cap Chip Type
CV	Monolithic Chip Type
CW	Small Monolithic Chip Type

④ Nominal Center Frequency

Expressed by four-digit alphanumerics. The unit is in hertz (Hz).  
 Decimal point is expressed by capital letter "M."

⑤ Design

Code	Design
G	Thickness Shear mode
T/V	Thickness Expander mode
X	Thickness Expander mode (3rd overtone)

⑥ Initial Frequency Tolerance

Code	Initial Frequency Tolerance
5	±0.5%
3	±0.3%
2	±0.2%
1	±0.1%
H	±0.07%

⑦ Load Capacity

Code	Load Capacity
1	5/6pF
2	10pF
3	15pF
4	22pF
5	30/33/39pF
6	47pF

⑧ Individual Specification

Code	Individual Specification
***	Three-digit alphanumerics express "Individual Specification."

With standard products, "⑧ Individual Specification" and "⑨ Packaging" is omitted.

⑨ Packaging

Code	Packaging
-B0	Bulk
-A0	Radial Taping H <sub>0</sub> =18mm
-R0/*R0	Plastic Taping ø=180mm Reel
-R1	Plastic Taping ø=330mm Reel

• Radial taping is applied to lead type and plastic taping to chip type.

# Ceramic Resonators (CERALOCK®)

## MHz Chip Type -Tight Frequency Tolerance for Automotive

Chip type CERALOCK® with built-in load capacitors provides high accuracy in an extremely small package. MURATA's frequency adjustment and package technology expertise has enabled the development of the chip CERALOCK® with built-in load capacitors. This diverse series owes its development to MURATA's original mass production techniques and high reliability, and has achieved importance in the worldwide automotive market.

### Features

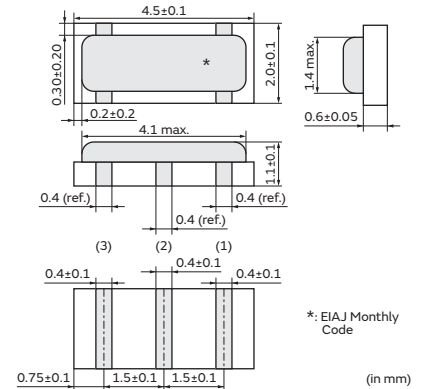
1. The series are high accuracy resonators whose total tolerance is available for less than  $\pm 3,000$ ppm.
2. The series has high reliability and is available for a wide temperature range.
3. Oscillation circuits do not require external load capacitors.
4. The series is available for a wide frequency range.
5. The resonators are extremely small and have a low profile.
6. No adjustment is necessary for oscillation circuits.

### Applications

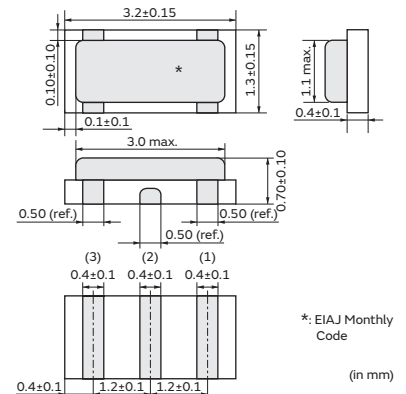
1. Cluster panel and Control panel
2. Safety control  
 Anti-lock Brake System, Electronic Stability Control, Airbag, etc.
3. Engine ECU, Electronic Power Steering, Immobilizer, etc.
4. Car Air conditioner, Power Window, Remote Keyless Entry system, etc.
5. Intelligent Transportation System  
 Lane Keeping System, Millimeter wave radar, etc.
6. Battery control for hybrid cars



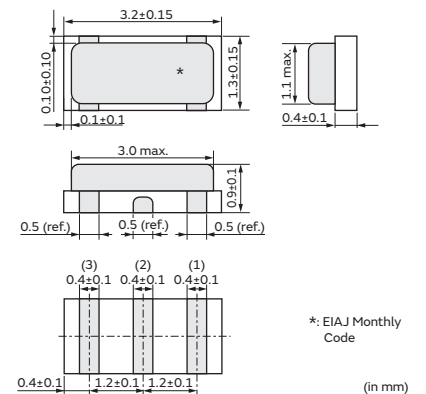
**CSTCR\_G15C**  
 4.00-7.99MHz



**CSTCE\_G15C**  
 8.00-13.99MHz



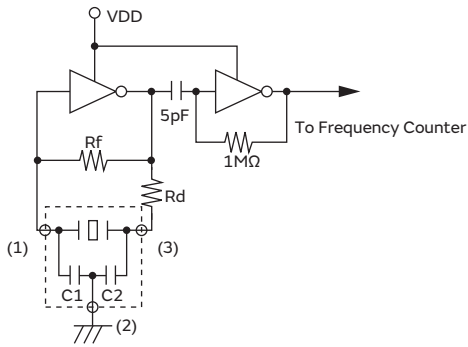
**CSTCE\_V13C**  
 14.00-20.00MHz



Part Number	Frequency (MHz)	Initial Frequency Tolerance (%)	Frequency Shift by Temperature (%)	Operating Temperature Range (°C)
<b>CSTCR_G15C</b>	4.00 to 7.99	±0.1	±0.13	-40 to 125
<b>CSTCE_G15C</b>	8.00 to 13.99	±0.1	±0.13	-40 to 125
<b>CSTCE_V13C</b>	14.00 to 20.00	±0.1	±0.13	-40 to 125

Irregular or stopped oscillation may occur under unmatched circuit conditions. Please check the actual conditions prior to use.

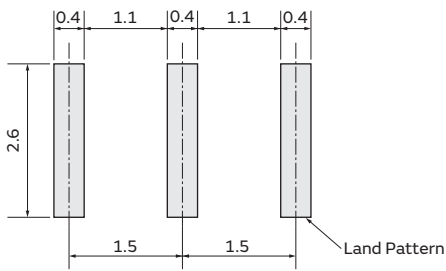
## Measuring Circuit of Oscillating Frequency



1

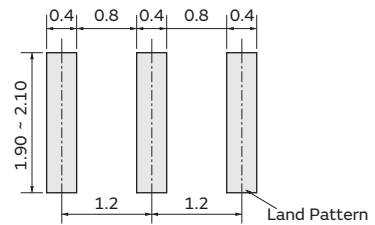
## Standard Land Pattern Dimensions

**CSTCR\_G15C**  
 (\* This Land Pattern is not common to CSTCR\_G.)



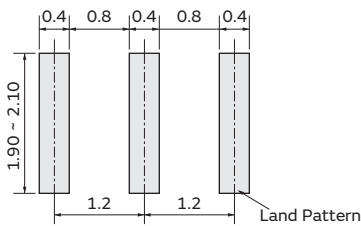
(in mm)

**CSTCE\_G15C**



(in mm)

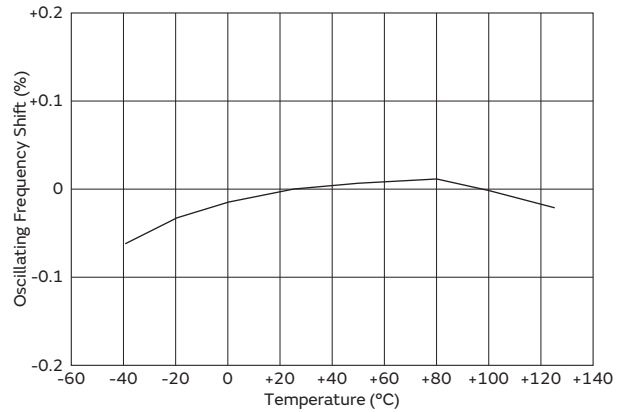
**CSTCE\_V13C**  
 (\* This Land Pattern is not common to CSTCE\_V.)



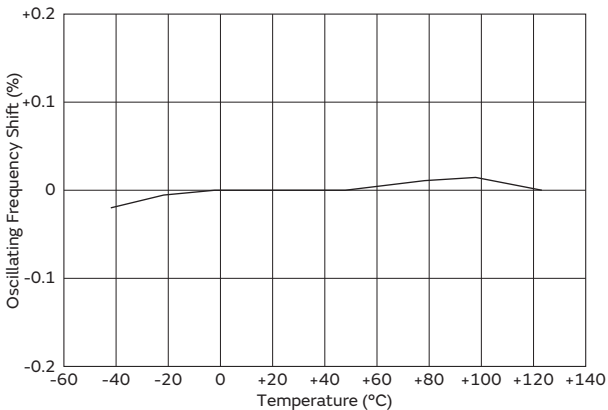
(in mm)

## Frequency Temperature Characteristics

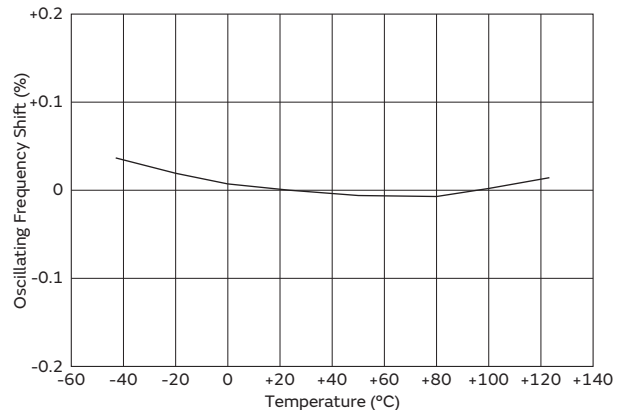
**CSTCR\_G15C**



**CSTCE\_G15C**



**CSTCE\_V13C**



5

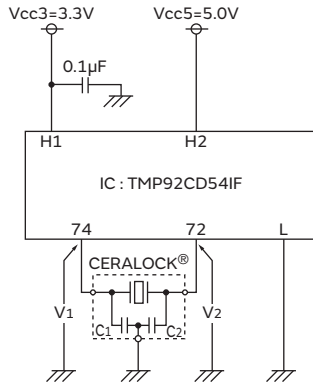


# Application Circuits Utilization

1

## TMP92CD54IF (Toshiba)

16-bit Microcomputer

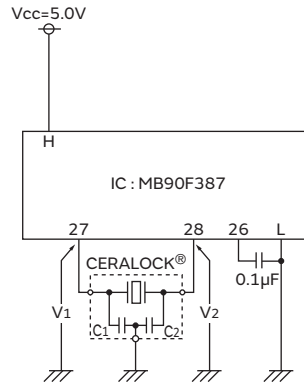


H1: 36, 68, 86  
 H2: 2, 4, 15, 40, 50, 61, 75  
 L: 1, 3, 13, 38, 51, 63, 73, 88

CERALOCK®: CSTCE10M0G15C□□-R0  
 C1=33pF (Typ.)  
 C2=33pF (Typ.)

## MB90F387 (Fujitsu)

16-bit Microcomputer

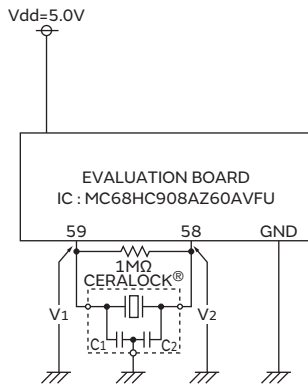


H: 1, 2, 21, 22, 24  
 L: 20, 23, 25, 48

CERALOCK®: CSTCE8M00G15C□□-R0  
 C1=33pF (Typ.)  
 C2=33pF (Typ.)

## MC68HC908AZ60AVFU (Freescale)

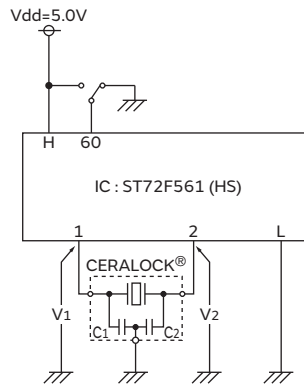
8-bit Microcomputer



CERALOCK®: CSTCE16M0V13C□□-R0  
 C1=15pF (Typ.)  
 C2=15pF (Typ.)

## ST72F561 (HS) (ST Microelectronics)

8-bit Microcomputer

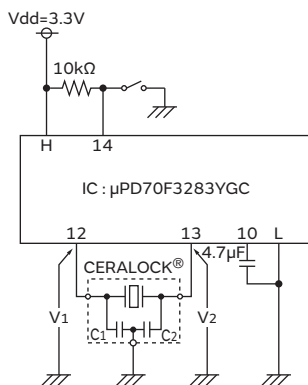


H: 9, 25, 41, 57, 58  
 L: 8, 24, 40, 55, 56

CERALOCK®: CSTCE8M00G15A□□-R0  
 C1=33pF (Typ.)  
 C2=33pF (Typ.)

## µPD70F3283YGC (Renesas)

32-bit Microcomputer

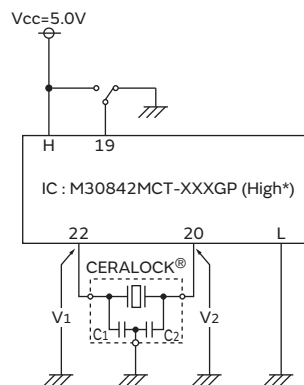


H: 1, 5, 9, 34, 70  
 L: 2, 8, 11, 15, 33, 69

CERALOCK®: CSTCE10M0G15C□□-R0  
 C1=33pF (Typ.)  
 C2=33pF (Typ.)

## M30842MCT-XXXGP (Renesas)

16-bit Microcomputer



H: 23, 24, 37, 39, 59, 74, 91, 118, 122,  
 132, 142, 143  
 L: 15, 16, 21, 36, 41, 57, 76, 93,  
 110-113, 120, 121, 130, 140

\*High: XIN-XOUT Drive Capacity Select Bit  
 CERALOCK®: CSTCE8M00G15C□□-R0  
 C1=33pF (Typ.)  
 C2=33pF (Typ.)

6

# Ceramic Resonators (CERALOCK®)

## MHz Chip Type -Standard Frequency Tolerance for Automotive

Chip type CERALOCK® with built-in load capacitors provides high accuracy in an extremely small package. MURATA's frequency adjustment and package technology expertise has enabled the development of the chip CERALOCK® with built-in load capacitors. This diverse series owes its development to MURATA's original mass production techniques and high reliability, and has achieved importance in the worldwide automotive market.

### Features

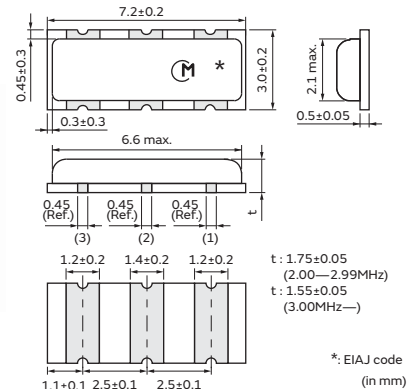
1. The series has high reliability and is available for a wide temperature range.
2. Oscillation circuits do not require external load capacitors.
3. The series is available in a wide frequency range.
4. The resonators are extremely small and have a low profile.
5. No adjustment is necessary for oscillation circuits.

### Applications

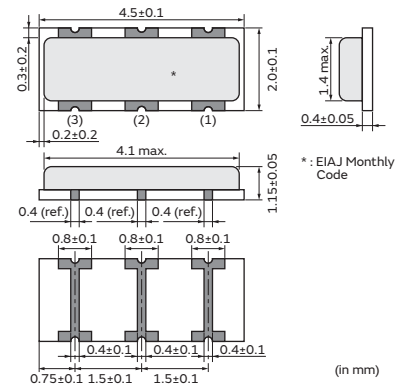
1. Cluster panel and Control panel
2. Safety control  
 Anti-lock Brake System, Electronic Stability Control, Airbag, etc.
3. Engine ECU, Electronic Power Steering, Immobilizer, etc.
4. Car Air conditioner, Power Window, Remote Keyless Entry system, etc.
5. Electronic Toll Collection system, Car Navigation, etc.



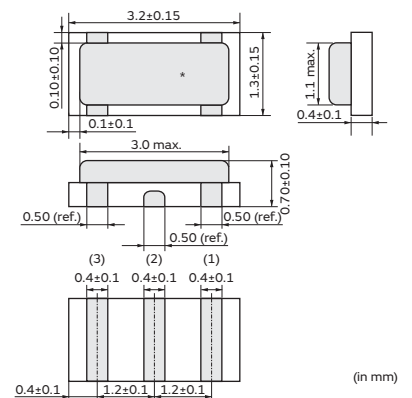
CSTCC\_G\_A  
 2.00-3.99MHz



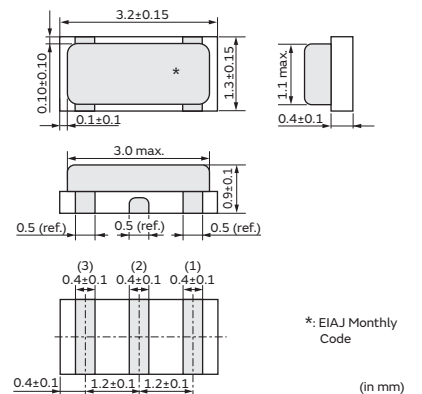
CSTCR\_G\_B  
 4.00-7.99MHz



CSTCE\_G\_A  
 8.00-13.99MHz

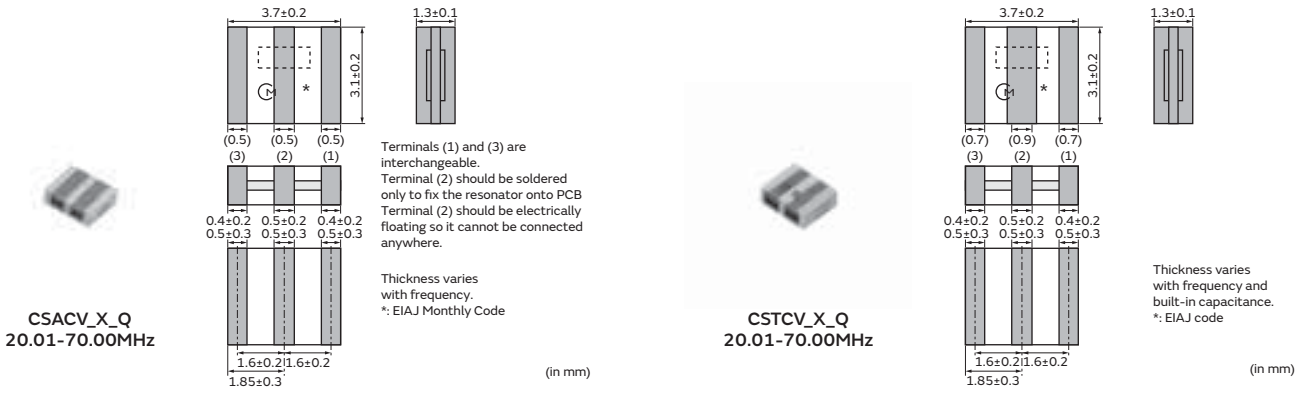


CSTCE\_V\_C  
 14.00-20.00MHz



Continued on the following page. ↗

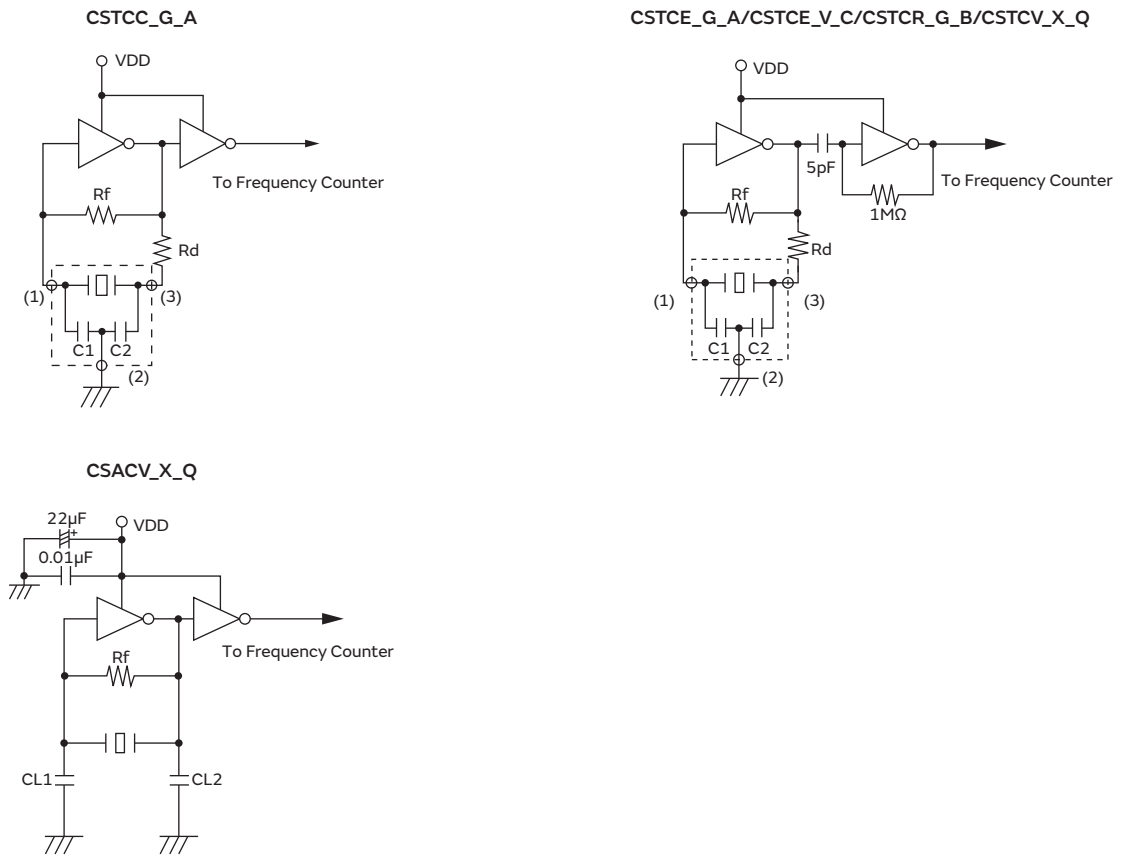
Continued from the preceding page. ↘



Part Number	Frequency (MHz)	Initial Frequency Tolerance (%)	Frequency Shift by Temperature (%)	Operating Temperature Range (°C)
CSTCC_G_A	2.00 to 3.99	±0.5	±0.4 [-0.6% to +0.3%:Built-in Capacitance 47pF type within Freq.2.00 to 3.49MHz]	-40 to 125
CSTCR_G_B	4.00 to 7.99	±0.5	±0.15	-40 to 125
CSTCE_G_A	8.00 to 13.99	±0.5	±0.2	-40 to 125
CSTCE_V_C	14.00 to 20.00	±0.5	±0.15	-40 to 125
CSACV_X_Q	20.01 to 70.00	±0.5	±0.3	-40 to 125
CSTCV_X_Q	20.01 to 70.00	±0.5	±0.3	-40 to 125

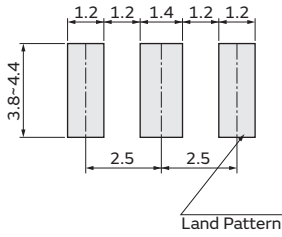
Irregular or stopped oscillation may occur under unmatched circuit conditions. Please check the actual conditions prior to use.

### Measuring Circuit of Oscillating Frequency



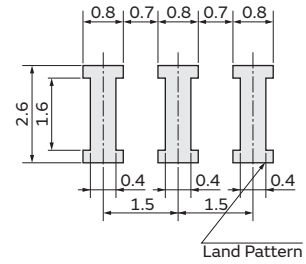
## Standard Land Pattern Dimensions

CSTCC\_G\_A



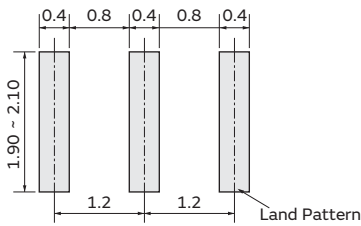
(in mm)

CSTCR\_G\_B



(in mm)

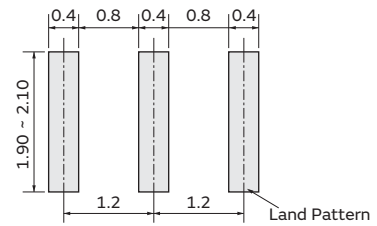
CSTCE\_G\_A



(in mm)

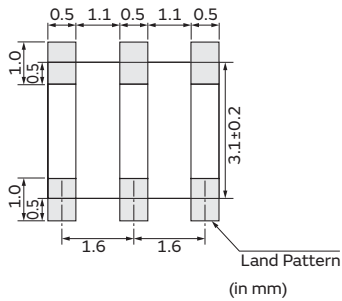
CSTCE\_V\_C

(\* This Land Pattern is not common to CSTCE\_V)



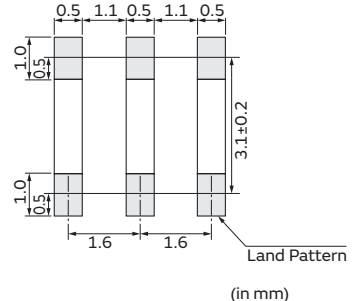
(in mm)

CSTCV\_X\_Q



(in mm)

CSACV\_X\_Q

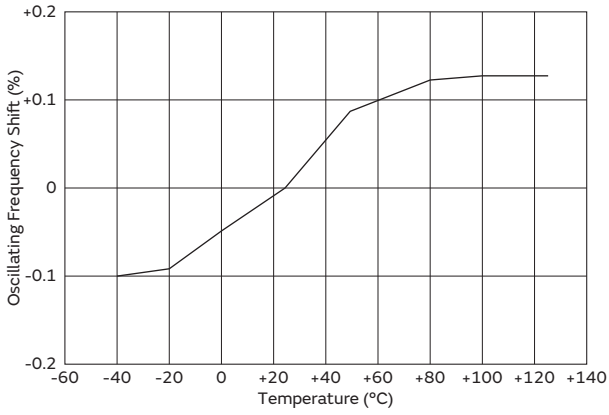


(in mm)

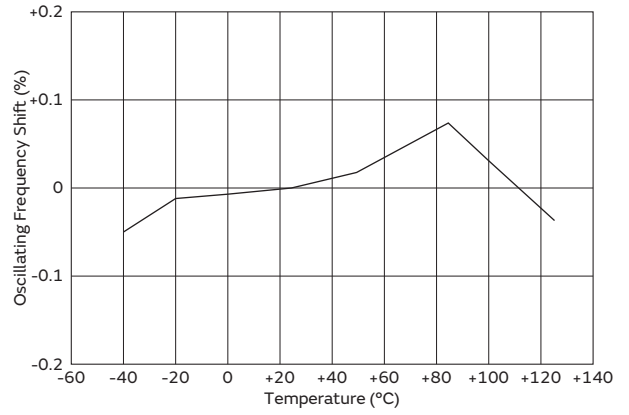
## Frequency Temperature Characteristics

2

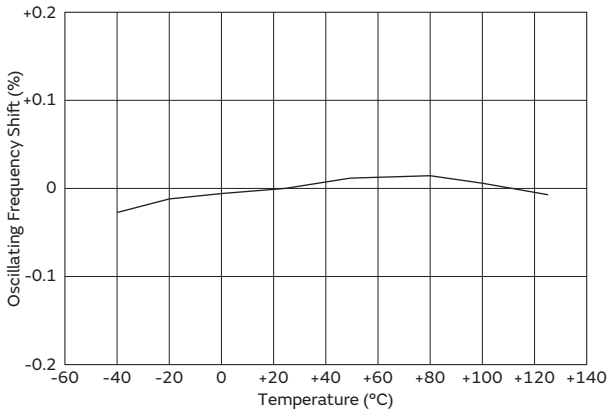
CSTCC\_G\_A



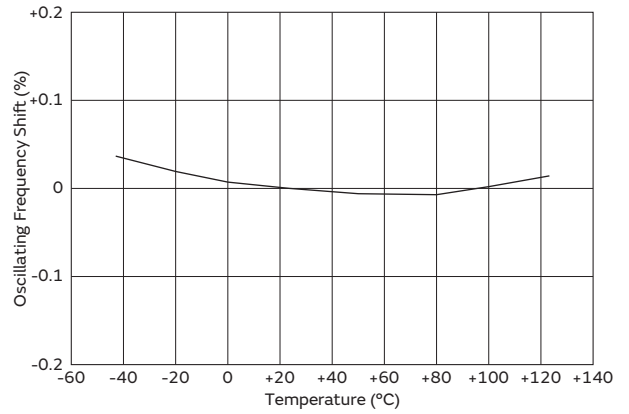
CSTCR\_G\_B



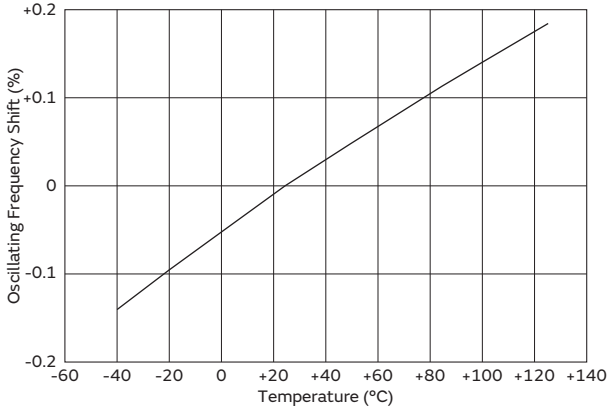
CSTCE\_G\_A



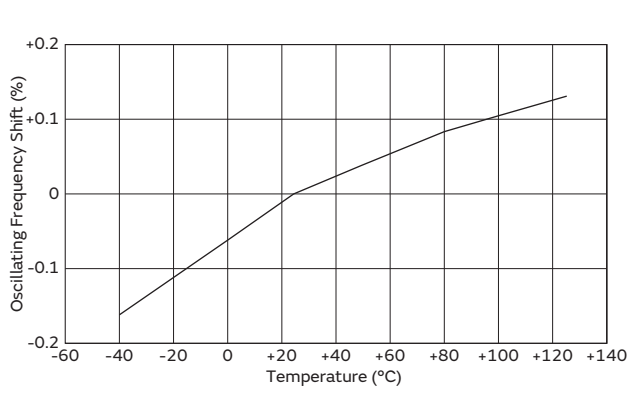
CSTCE\_V\_C



CSTCV\_X\_Q

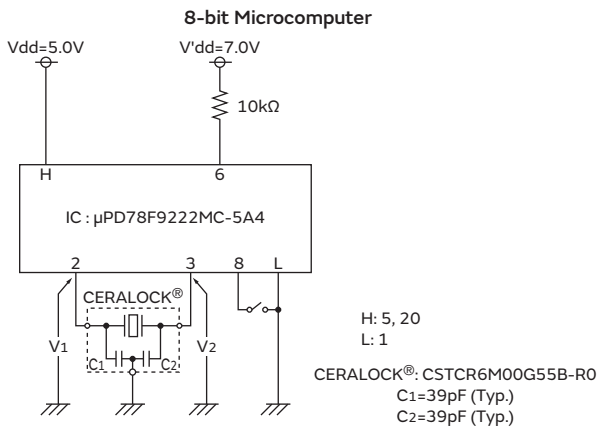


CSACV\_X\_Q

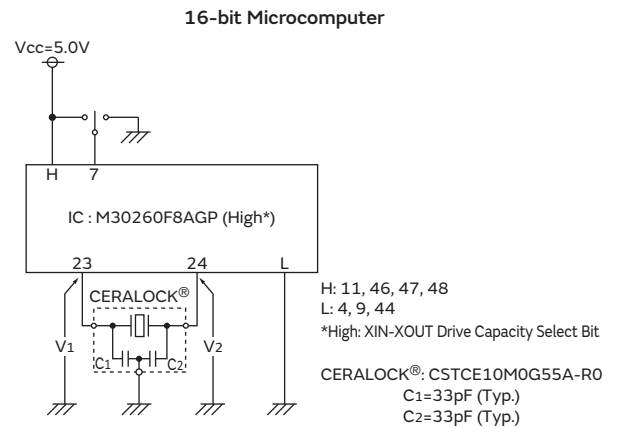


## Application Circuits Utilization

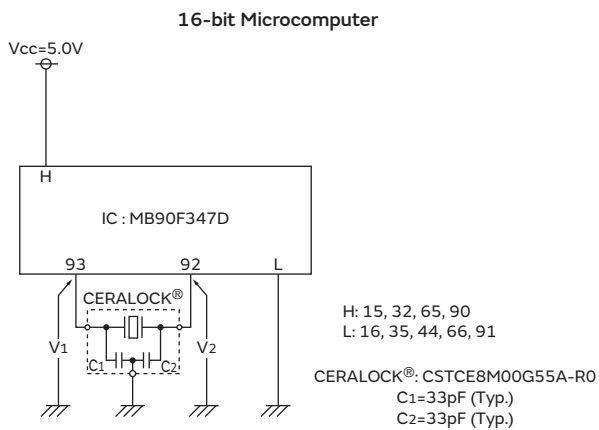
### μPD78F9222MC-5A4 (Renesas)



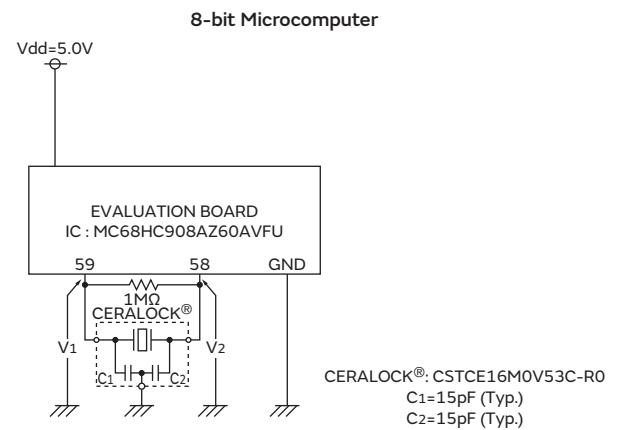
### M30260F8AGP (Renesas)



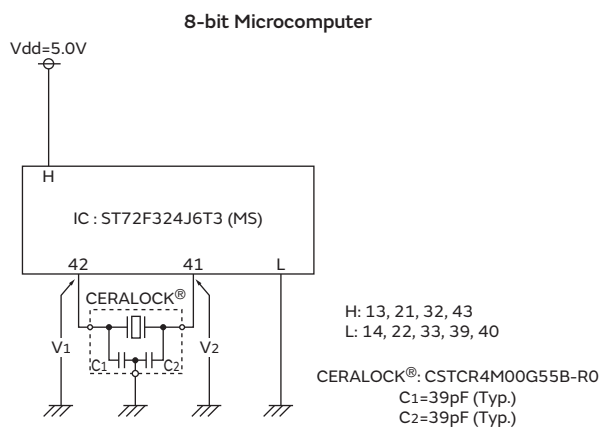
### MB90F347D (Fujitsu)



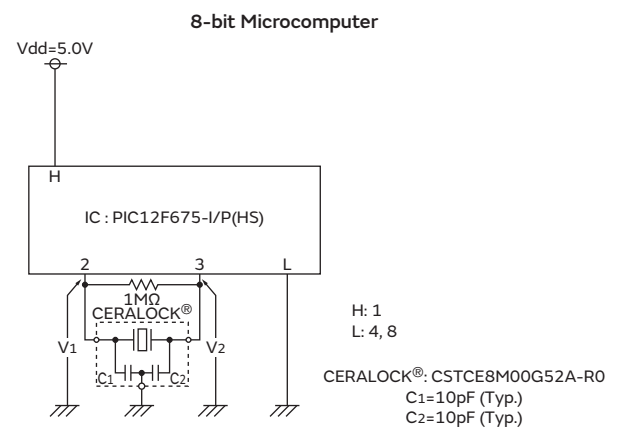
### MC68HC908AZ60AVFU (Freescale)



### ST72F324J6T3 (MS) (ST Microelectronics)



### PIC12F675-I/P (HS) (Microchip)





## Notice for Automotive

### Soldering and Mounting (CSTCC/CSTCR/CSTCE\_V/CSTCE\_G Series)

#### 1. Soldering

##### (1) Reflow soldering

Please mount the component on a circuit board by reflow soldering. Flow soldering is not acceptable.

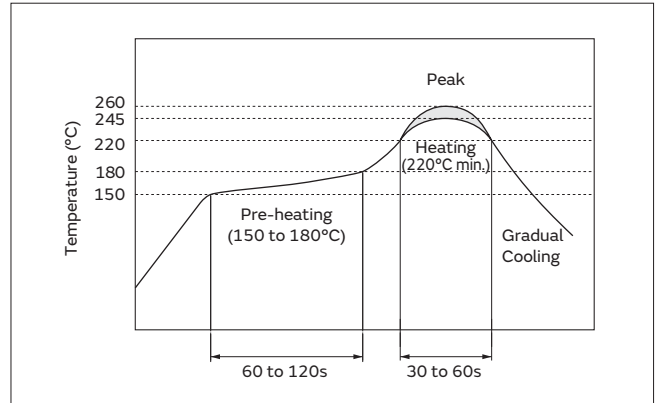
##### Recommendable Flux and Solder

<b>Flux</b>	Please use rosin based flux, not water soluble flux.
<b>Solder</b>	Please use solder (Sn-3.0Ag-0.5Cu) under the following conditions: Standard thickness of soldering paste: 0.10 to 0.15mm.

##### Recommendable Soldering Profile

<b>Pre-heating</b>	150 to 180°C	60 to 120s
<b>Heating</b>	220°C min.	30 to 60s
<b>Peak Temperature</b>	upper limit: 260°C	1s max.
	lower limit: 245°C	5s max.

Temperature shall be measured on the surface of component.



##### (2) Soldering with Iron

If compelled to mount the component by using a soldering iron, please do not directly touch the component with the soldering iron. The component terminals or electrical characteristics may be damaged if excessive thermal stress is applied.

##### Recommendable Soldering with Iron

<b>Heating of the soldering iron</b>	350°C max.
<b>Watt</b>	30W max.
<b>Shape of the soldering iron</b>	ø3mm max.
<b>Soldering Time</b>	5s max. at one terminal
<b>Solder</b>	Sn-3.0Ag-0.5Cu

##### (3) Solder Volume

Please make the solder volume less than the height of the substrate to avoid damage to the seal between the metal cap and the substrate.

##### (4) Other

Do not reuse components removed from a circuit board after soldering.

##### (5) Conditions for Placement Machines

The component is recommended with placement machines that employ optical placement capabilities. The component may be damaged by excessive mechanical force. Please make sure that you have evaluated by using placement machines before going into mass production. Do not use placement machines that utilize mechanical positioning. Please contact Murata for details beforehand.

Continued on the following page. ↗

## Notice for Automotive

Continued from the preceding page. ↘

### 2. Wash

#### (1) Cleaning Solvents

HCFC, Isopropanol, Tap water, Demineralized water,  
Cleantrough750H, Pine alpha 100S, Techno care FRW

#### (2) Temperature Difference : dT \*1

$dT \leq 60^{\circ}\text{C}$  (dT=Component-solvent)

\*1 ex. If the component is immersed at  $+90^{\circ}\text{C}$  into  
cleaning solvent at  $+60^{\circ}\text{C}$ , then  $dT=30^{\circ}\text{C}$ .

#### (3) Conditions

##### (a) Ultrasonic Wash

1 minute max. in above solvent at  $+60^{\circ}\text{C}$  max.  
(Frequency: 28kHz, Output: 20W/l)

##### (b) Immersion Wash

5 minutes max. in above solvent at  $+60^{\circ}\text{C}$  max.

##### (c) Shower or Rinse Wash

5 minutes max. in above solvent at  $+60^{\circ}\text{C}$  max.

#### (4) Drying

5 minutes max. by blowing air at  $+80^{\circ}\text{C}$  max.

#### (5) Other

(a) Total washing time should be within 10 minutes.

(b) The component may be damaged if it is washed with  
chlorine, petroleum, or alkali cleaning solvent.

### 3. Coating

Conformal coating of the component is acceptable.

However, the resin material, curing temperature, and  
other process conditions should be evaluated to confirm  
stable electrical characteristics are maintained.

## Notice for Automotive

### Soldering and Mounting (CSTCV/CSACV Series)

#### 1. Soldering

##### (1) Reflow soldering

Please mount the component on a circuit board by reflow soldering. Flow soldering is not acceptable.

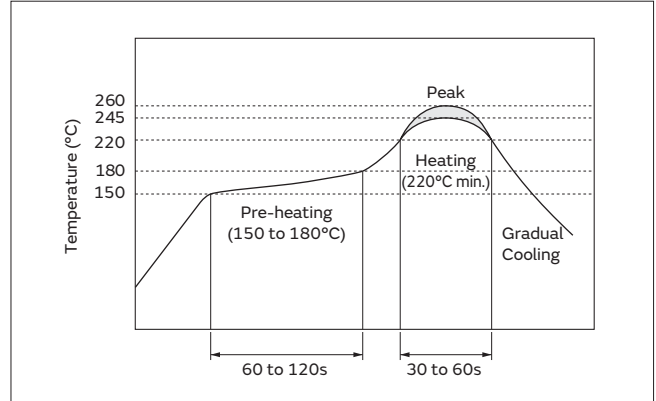
##### Recommendable Flux and Solder

Flux	Please use rosin based flux, not water soluble flux.
Solder	Please use solder (Sn-3.0Ag-0.5Cu) under the following conditions: Standard thickness of soldering paste: 0.10 to 0.15mm.

##### Recommendable Soldering Profile

Pre-heating	150 to 180°C	60 to 120s
Heating	220°C min.	30 to 60s
Peak Temperature	upper limit: 260°C lower limit: 245°C	1s max. 5s max.

Temperature shall be measured on the surface of component.



##### (2) Soldering with Iron

If compelled to mount the component by using a soldering iron, please do not directly touch the component with the soldering iron. The component terminals or electrical characteristics may be damaged if excessive thermal stress is applied.

##### Recommendable Soldering with Iron

Heating of the soldering iron	350°C max.
Watt	30W max.
Shape of the soldering iron	ø3mm max.
Soldering Time	5s max. at one terminal
Solder	Sn-3.0Ag-0.5Cu

##### (3) Other

Do not reuse components removed from a circuit board after soldering.

##### (4) Conditions for Placement Machines

The component is recommended with placement machines that employ optical placement capabilities. The component may be damaged by excessive mechanical force. Please make sure that you have evaluated by using placement machines before going into mass production. Do not use placement machines that utilize mechanical positioning. Please contact Murata for details beforehand.

#### 2. Wash

##### (1) Cleaning Solvents

HCFC, Isopropanol, Tap water, Demineralized water, Cleantrough750H, Pine alpha 100S, Techno care FRW

##### (2) Temperature Difference : dT \*1

$dT \leq 60^\circ\text{C}$  ( $dT = \text{Component} - \text{solvent}$ )

\*1 ex. If the component is immersed at +90°C into cleaning solvent at +60°C, then  $dT = 30^\circ\text{C}$ .

## Notice for Automotive

Continued from the preceding page. ↘

### (3) Conditions

#### (a) Ultrasonic Wash

1 minute max. in above solvent at +60°C max.  
(Frequency: 28kHz, Output: 20W/l)

#### (b) Immersion Wash

5 minutes max. in above solvent at +60°C max.

#### (c) Shower or Rinse Wash

5 minutes max. in above solvent at +60°C max.

### (4) Drying

5 minutes max. by blowing air at +80°C max.

### (5) Other

(a) Total washing time should be within 10 minutes.

(b) The component may be damaged if it is washed with chlorine, petroleum, or alkali cleaning solvent.

### 3. Coating

Conformal coating of the component is acceptable.

However, the resin material, curing temperature, and other process conditions should be evaluated to confirm stable electrical characteristics are maintained.

## Notice for Automotive

### Storage and Operating Conditions

#### 1. Product Storage Conditions

Please store the products in a room where the temperature/humidity is stable, and avoid places where there are large temperature changes.

Please store the products under the following conditions:

Temperature: -10 to +40°C

Humidity: 15 to 85% R.H.

#### 2. Expiration Date on Storage

Expiration date (shelf life) of the products is six months after delivery under the conditions of a sealed and unopened package. Please use the products within six months after delivery. If you store the products for a long time (more than six months), use carefully because the products may be degraded in solderability and/or rusty.

Please confirm solderability and characteristics for the products regularly.

#### 3. Notice on Product Storage

(1) Please do not store the products in a chemical atmosphere (Acids, Alkali, Bases, Organic gas, Sulfides and so on), because the characteristics may be reduced in quality, and/or be degraded in the solderability due to storage in a chemical atmosphere.

(2) Please do not put the products directly on the floor without anything under them to avoid damp and/or dusty places.

(3) Please do not store the products in places such as: in a damp heated place, in a place where direct sunlight comes in, in a place applying vibrations.

(4) Please use the products immediately after the package is opened, because the characteristics may be reduced in quality, and/or be degraded in the solderability due to storage under poor conditions.

(5) Please do not drop the products to avoid cracking of ceramic elements.

#### 4. Other

Conformal coating of the component is acceptable. However, the resin material, curing temperature, and other process conditions should be evaluated to confirm that stable electrical characteristics are maintained.

Please be sure to consult with our sales representatives or engineers whenever and prior to using the products.

### Rating

The component may be damaged if excessive mechanical stress is applied.

### Handling

"CERALOCK" may stop oscillating or oscillate irregularly under improper circuit conditions.

## Packaging for Automotive

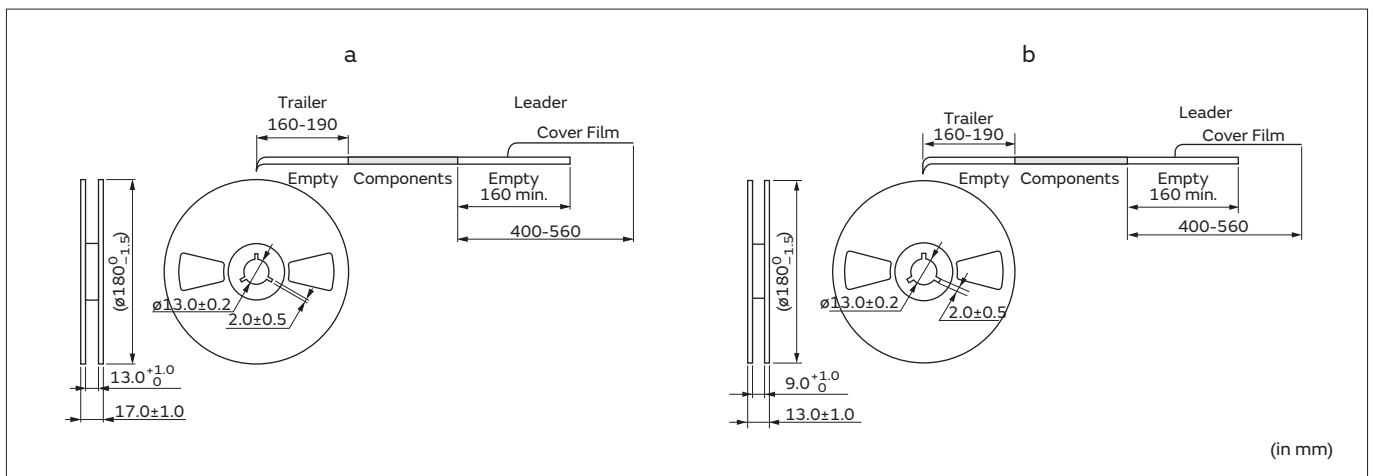
### Minimum Quantity

Part Number	Plastic Tape ø180mm	Plastic Tape ø330mm	Bulk	Reel Dimensions
CSTCC_G_A	2,000	6,000	500	a
CSTCR_G_B	3,000	9,000	500	a
CSTCR_G15C	3,000	9,000	500	a
CSTCE_G_A	3,000	9,000	500	b
CSTCE_G15C	3,000	9,000	500	b
CSTCE_V_C	3,000	9,000	500	b
CSTCE_V13C	3,000	9,000	500	b
CSTCV_X_Q	2,000	6,000	500	a
CSACV_X_Q	2,000	6,000	500	a

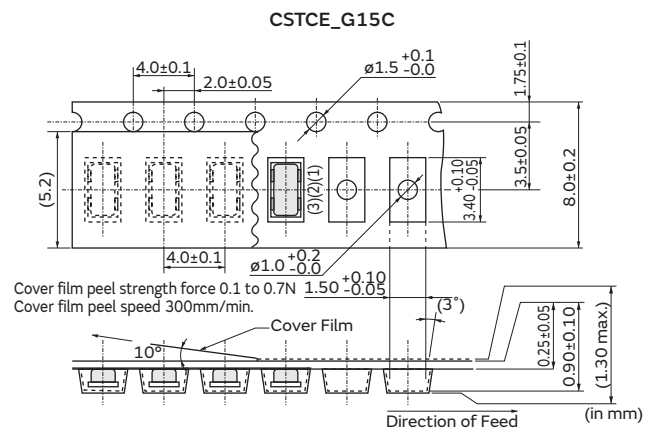
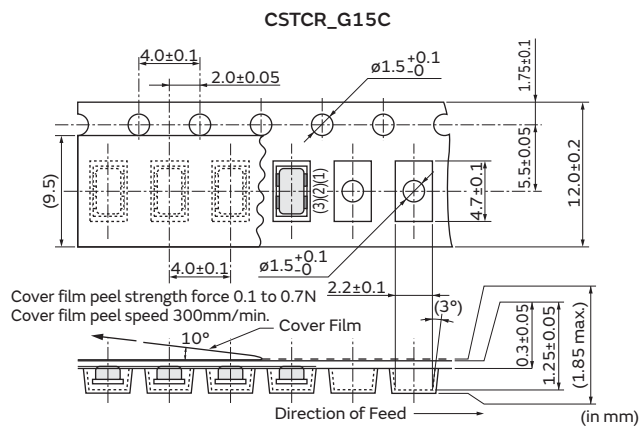
The order quantity should be an integral multiple of the "Minimum Quantity" shown above.

(pcs.)

### Dimensions of Reel



### Dimensions of Taping



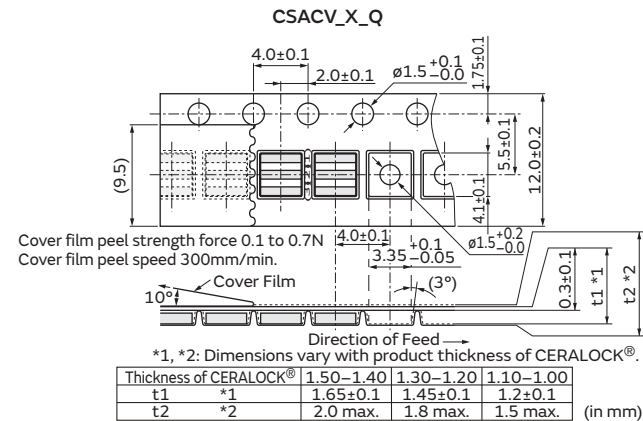
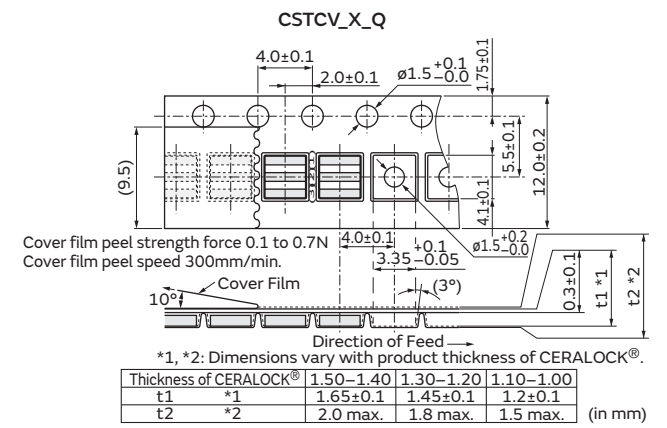
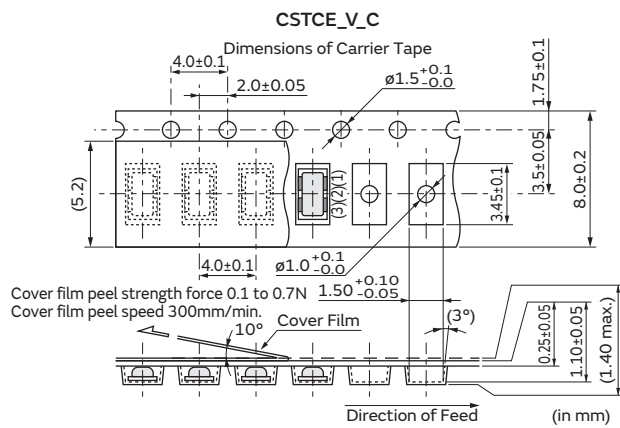
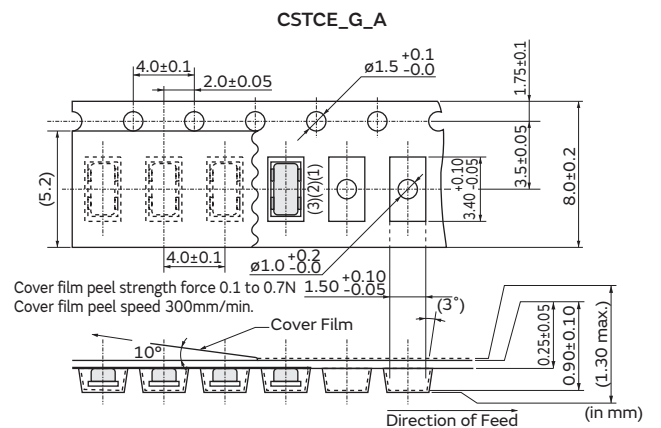
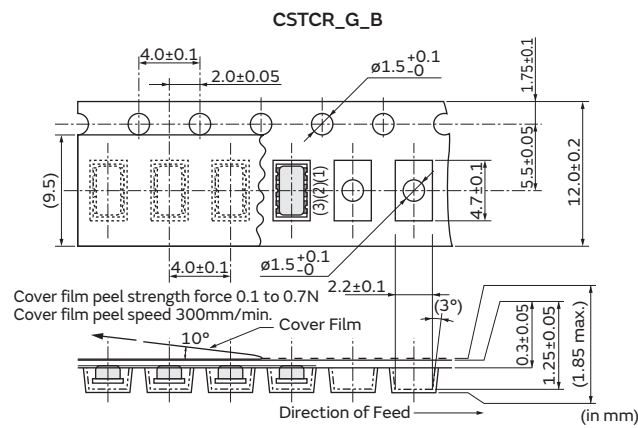
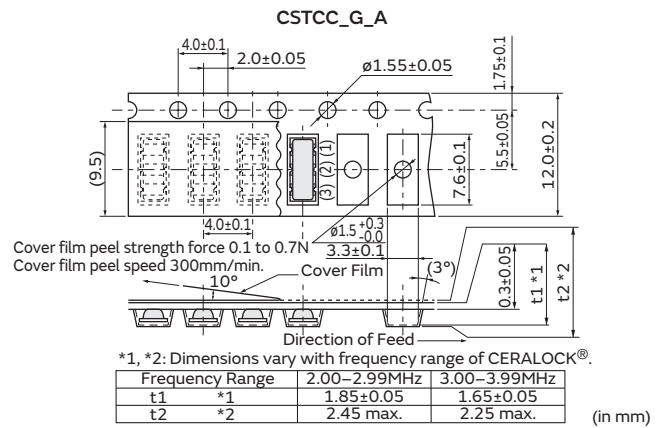
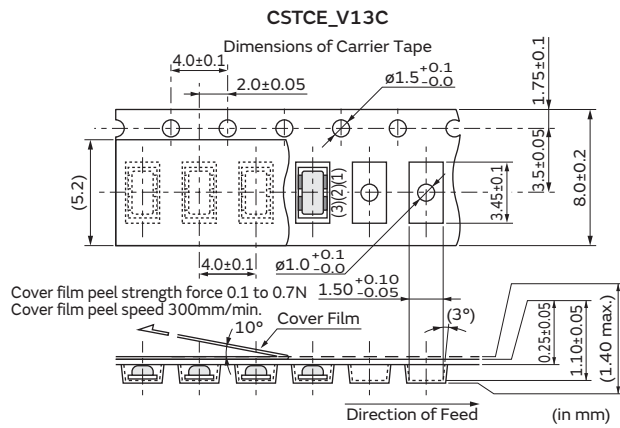
Continued on the following page. ↗



## Packaging for Automotive

Continued from the preceding page. ↘

### Dimensions of Taping



# Ceramic Resonators (CERALOCK®)

## MHz Chip Type -Tight Frequency Tolerance for Consumer/Industrial Usage

Chip type CERALOCK® with built-in load capacitors provides high accuracy in an extremely small package. MURATA's frequency adjustment and packaging technology expertise has enabled the development of the chip CERALOCK® with built-in load capacitors. High-density mounting is made possible by the small package and the elimination of the need for an external load capacitor.

### Features

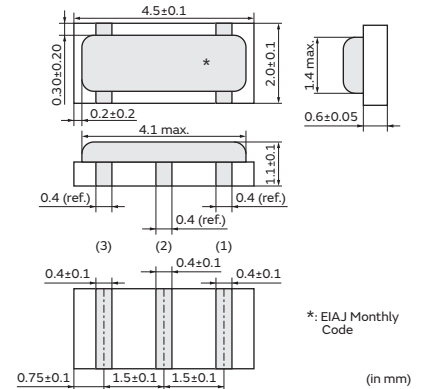
1. Oscillation circuits do not require external load capacitors.
2. Available in a wide frequency range.
3. Extremely small and have a low profile.
4. No adjustment is necessary for oscillation circuits.

### Applications

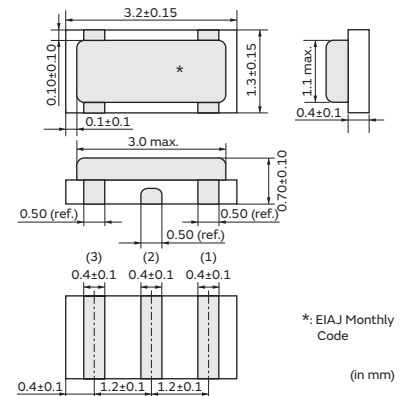
1. Clock oscillators for USB (full-speed) controller ICs
2. Audio equipment and musical instruments, etc.
3. Other applications for replacement of Crystal units/Oscillators



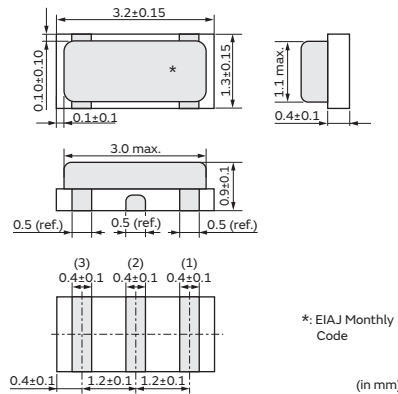
CSTCR\_G15L/CSTCR\_GH5L  
 4.00-7.99MHz



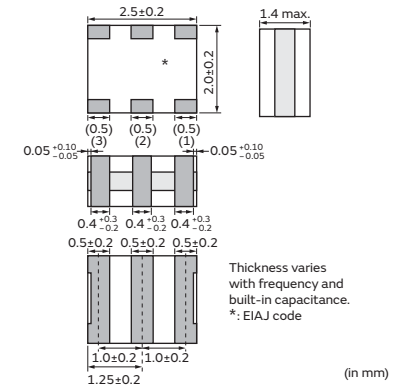
CSTCE\_G15L/CSTCE\_GH5L  
 8.00-13.99MHz



CSTCE\_V13L/CSTCE\_VH3L  
 14.00-20.00MHz



CSTCW\_X11  
 20.01-48.00MHz

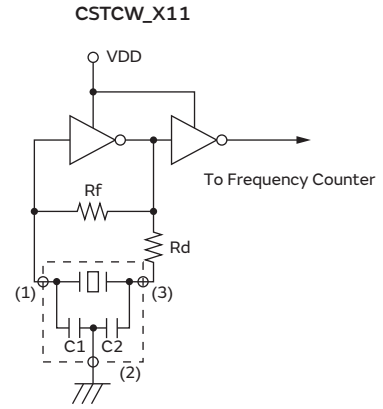
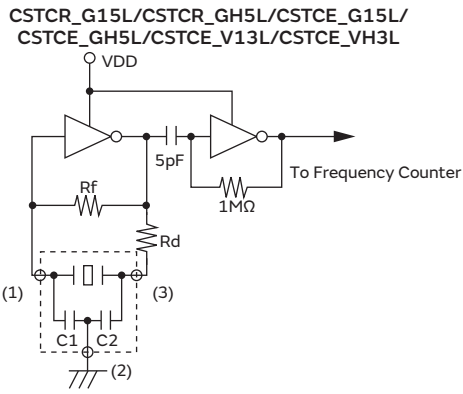


Part Number	Frequency (MHz)	Initial Frequency Tolerance (%)	Frequency Shift by Temperature (%)	Operating Temperature Range (°C)
CSTCR_G15L	4.00 to 7.99	±0.1	±0.08	0 to 70
CSTCR_GH5L	4.00 to 7.99	±0.07	±0.08	0 to 70
CSTCE_G15L	8.00 to 13.99	±0.1	±0.08	0 to 70
CSTCE_GH5L	8.00 to 13.99	±0.07	±0.08	0 to 70
CSTCE_V13L	14.00 to 20.00	±0.1	±0.08	0 to 70
CSTCE_VH3L	14.00 to 20.00	±0.07	±0.08	0 to 70
CSTCW_X11	20.01 to 48.00	±0.1	±0.1	0 to 70

Irregular or stopped oscillation may occur under unmatched circuit conditions. Please check the actual conditions prior to use.

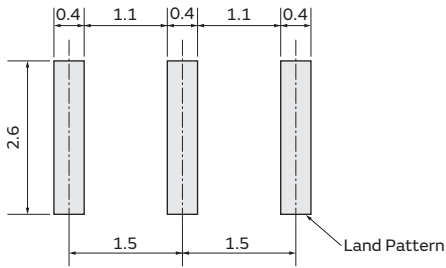


### Measuring Circuit of Oscillating Frequency



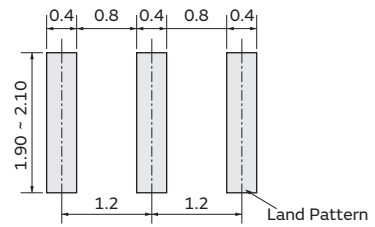
### 3 Standard Land Pattern Dimensions

CSTCR\_G15L/CSTCR\_GH5L  
 (\* This Land Pattern is not common to CSTCR\_G.)



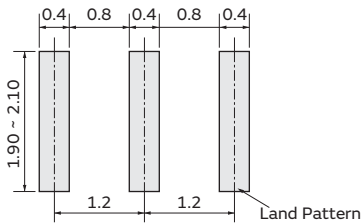
(in mm)

CSTCE\_G15L/CSTCE\_GH5L



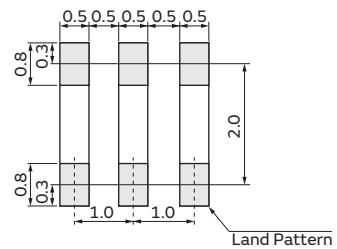
(in mm)

CSTCE\_V13L/CSTCE\_VH3L  
 (\* This Land Pattern is not common to CSTCE\_V.)



(in mm)

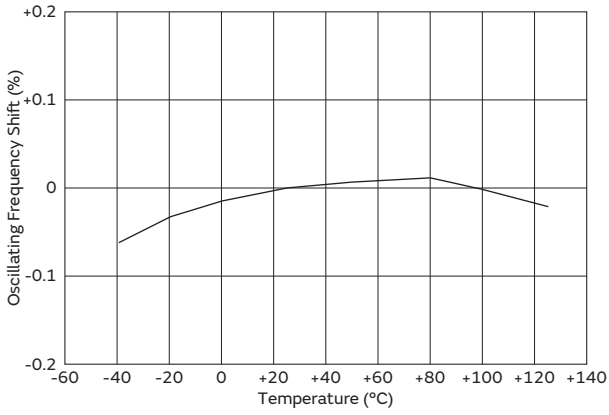
CSTCW\_X11



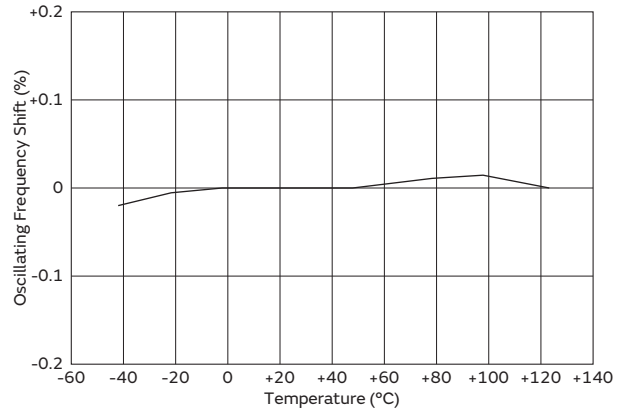
(in mm)

## Frequency Temperature Characteristics

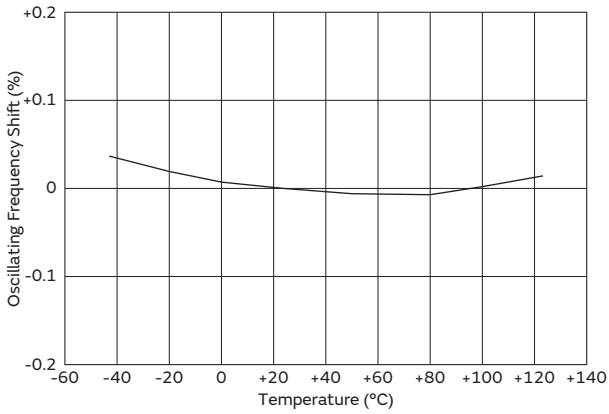
CSTCR\_G15L/CSTCR\_GH5L



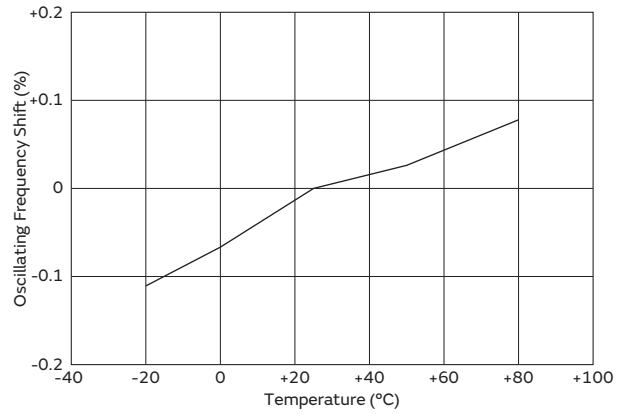
CSTCE\_G15L/CSTCE\_GH5L



CSTCE\_V13L/CSTCE\_VH3L



CSTCW\_X11

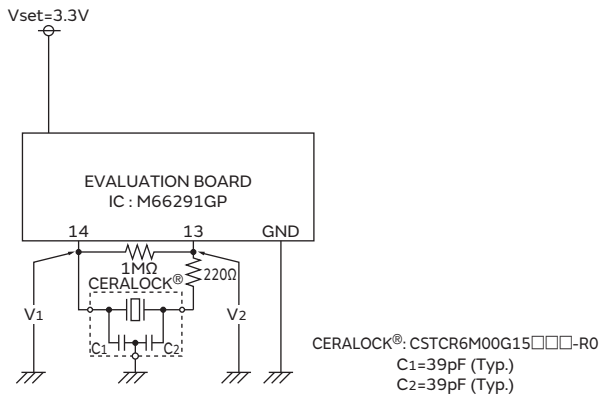


3

## Application Circuits Utilization

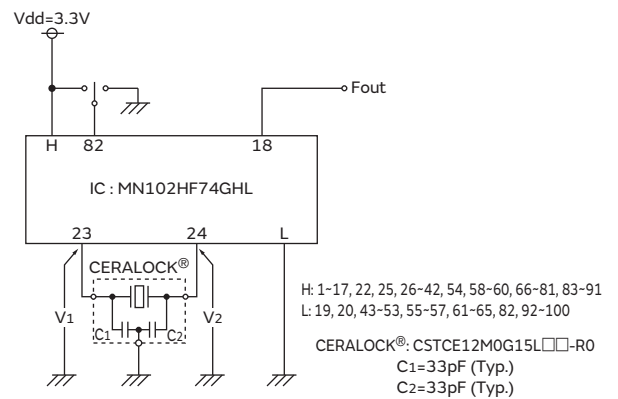
### M66291GP (Renesas)

USB Transceiver



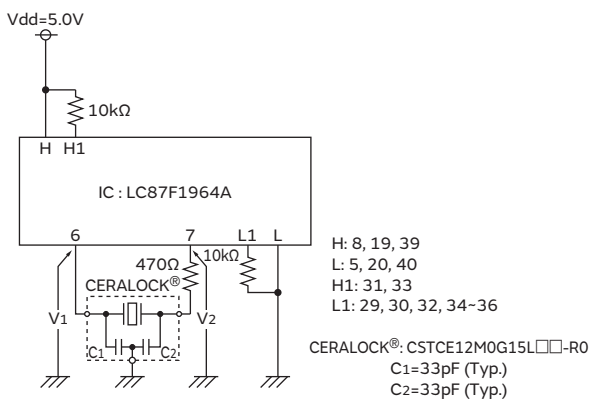
### MN102HF74GHL (Panasonic)

16-bit Microcontroller



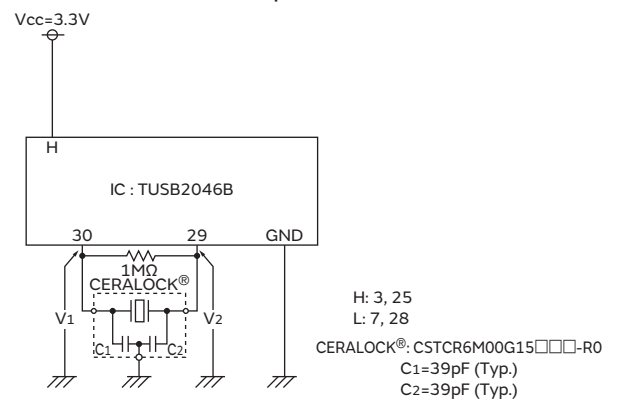
### LC87F1964A (Sanyo)

8-bit Microcontroller



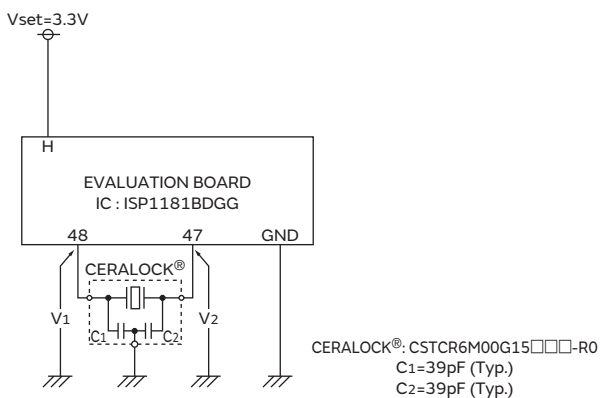
### TUSB2046B (Texas Instruments)

USB 4-port HUB



### ISP1181BDGG (Philips)

USB Controller



# Ceramic Resonators (CERALOCK®)

## MHz Chip Type - Standard Frequency Tolerance for Consumer/Industrial Usage

Chip type CERALOCK® with built-in load capacitors provides an extremely small package. MURATA's package technology expertise has enabled the development of the Chip CERALOCK® with built-in load capacitors. High-density mounting can be realized because of the small package and the elimination of the need for an external load capacitor.

### Features

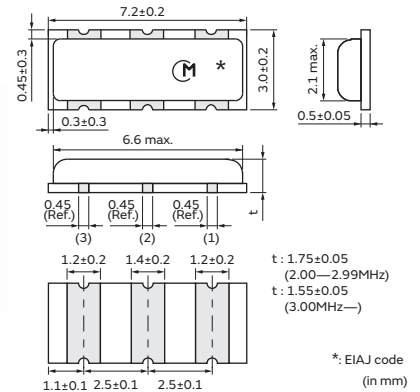
1. Oscillation circuits do not require external load capacitors.
2. Available in a wide frequency range.
3. Extremely small and have a low profile.
4. No adjustment is necessary for oscillation circuits.

### Applications

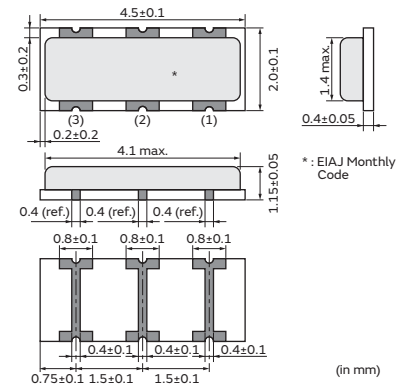
1. Clock oscillators for microprocessors
2. Small electronic equipment such as handheld phone, digital video camcorder (DVC), digital still camera (DSC), portable audio player, etc.
3. Storage media and memory (HDD, Optical storage device, FDD, Flash memory card, etc.)
4. Office automation equipment (Mobile PC, Mouse, Keyboard, etc.)
5. Audio-visual applications (TV, DVD-HDD recorder, Audio equipment, Remote control, etc.)
6. Home appliances (Air conditioner, Microwave oven, Refrigerator, Washing machine, etc.)



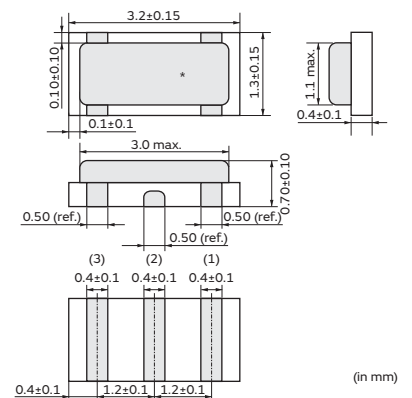
**CSTCC\_G**  
 2.00-3.99MHz



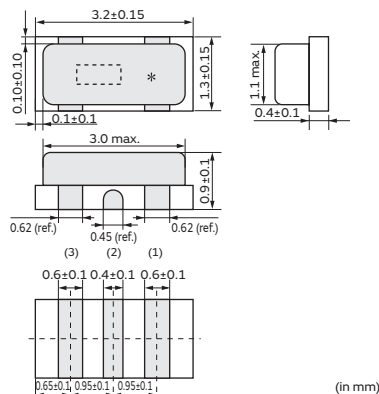
**CSTCR\_G**  
 4.00-7.99MHz



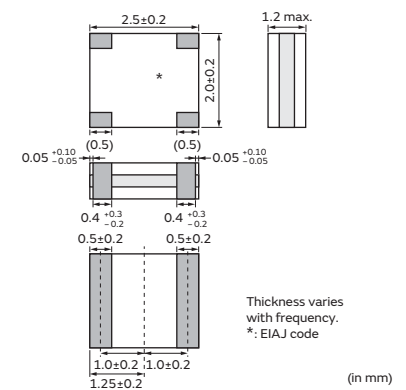
**CSTCE\_G/CSTCE\_G\_Z**  
 8.00-13.99MHz



**CSTCE\_V**  
 14.00-20.00MHz



**CSACW\_X**  
 20.01-70.00MHz



Continued on the following page. ↗