



Chipsmall Limited consists of a professional team with an average of over 10 year of expertise in the distribution of electronic components. Based in Hongkong, we have already established firm and mutual-benefit business relationships with customers from,Europe,America and south Asia,supplying obsolete and hard-to-find components to meet their specific needs.

With the principle of “Quality Parts,Customers Priority,Honest Operation,and Considerate Service”,our business mainly focus on the distribution of electronic components. Line cards we deal with include Microchip,ALPS,ROHM,Xilinx,Pulse,ON,Everlight and Freescale. Main products comprise IC,Modules,Potentiometer,IC Socket,Relay,Connector.Our parts cover such applications as commercial,industrial, and automotives areas.

We are looking forward to setting up business relationship with you and hope to provide you with the best service and solution. Let us make a better world for our industry!



Contact us

Tel: +86-755-8981 8866 Fax: +86-755-8427 6832

Email & Skype: info@chipsmall.com Web: www.chipsmall.com

Address: A1208, Overseas Decoration Building, #122 Zhenhua RD., Futian, Shenzhen, China



VOLTAGE CONTROLLED CRYSTAL OSCILLATORS (SMD • Ceramic Package)

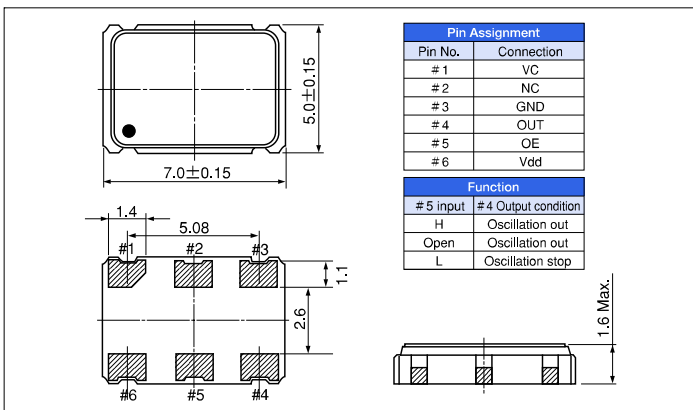
RoHS compliant **CSX-750V SERIES** 2000pcs/reel



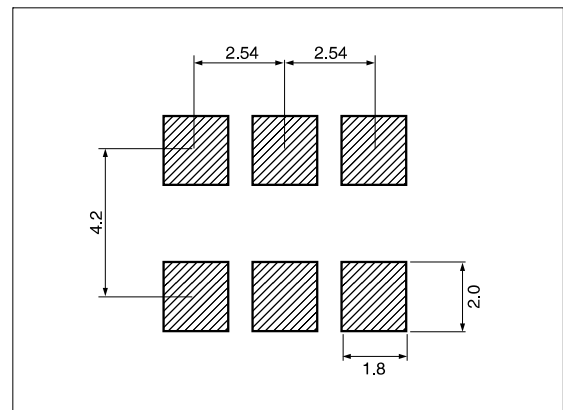
FEATURES

- Available to supply voltage 5.0V or 3.3V.
- Most appropriate for communication devices and other equipment.
- Output enable function (OE) can be used for low power consumption.

DIMENSION [mm]



SOLDER PAD LAYOUT [mm]



STANDARD SPECIFICATIONS

* Model is determined by the supply voltage and the frequency stability.

Item	Model	CSX-750 VJ(*) M	CSX-750 VK(*) L
Frequency Range		2.000MHz ~ 40.000MHz	
Supply Voltage		Vdd : 5.0V±0.5V	Vdd : 3.3V±0.3V
Frequency Stability	(*)	B : ±50ppm (−20°C~+70°C), E : ±50ppm (−40°C~+85°C)	
Operating Temperature Range		−20°C~+70°C (−40°C~+85°C)	
Storage Temperature Range		−55°C~+125°C	
Pulling range		M : ±100ppm Min. / Vc=2.5±2.0V	L : ±90ppm Min. / Vc=1.65±1.65V
Frequency control voltage		2.5±2.0V (at 25°C)	1.65±1.65V (at 25°C)
Current consumption		15mA Max.	10mA Max.
Disable current		10mA Max.	6mA Max.
Linearity		10% Max.	
Duty	CMOS level (1/2 Vdd)	45~55%	
Output Voltage	V _{OH}	Vdd−0.4V Min.	0.9Vdd Min.
	V _{OL}	0.4V Max.	0.1Vdd Max.
Output Load		CMOS 30pF Max.	
Rise and Fall Time		6 nsec Max.	
Start-up time	(tr,tf)	4 msec Max.	
Modulation band width		15kHz Min. (Gain−3dB)	
Phase Noise		−120dBc/Hz Max. (Offset 1kHz)	