



Chipsmall Limited consists of a professional team with an average of over 10 year of expertise in the distribution of electronic components. Based in Hongkong, we have already established firm and mutual-benefit business relationships with customers from,Europe,America and south Asia,supplying obsolete and hard-to-find components to meet their specific needs.

With the principle of "Quality Parts,Customers Priority,Honest Operation,and Considerate Service",our business mainly focus on the distribution of electronic components. Line cards we deal with include Microchip,ALPS,ROHM,Xilinx,Pulse,ON,Everlight and Freescale. Main products comprise IC,Modules,Potentiometer,IC Socket,Relay,Connector.Our parts cover such applications as commercial,industrial, and automotives areas.

We are looking forward to setting up business relationship with you and hope to provide you with the best service and solution. Let us make a better world for our industry!



Contact us

Tel: +86-755-8981 8866 Fax: +86-755-8427 6832

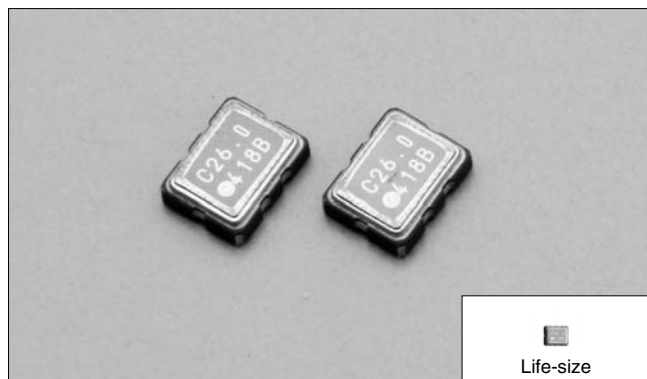
Email & Skype: info@chipsmall.com Web: www.chipsmall.com

Address: A1208, Overseas Decoration Building, #122 Zhenhua RD., Futian, Shenzhen, China



CSX-325T

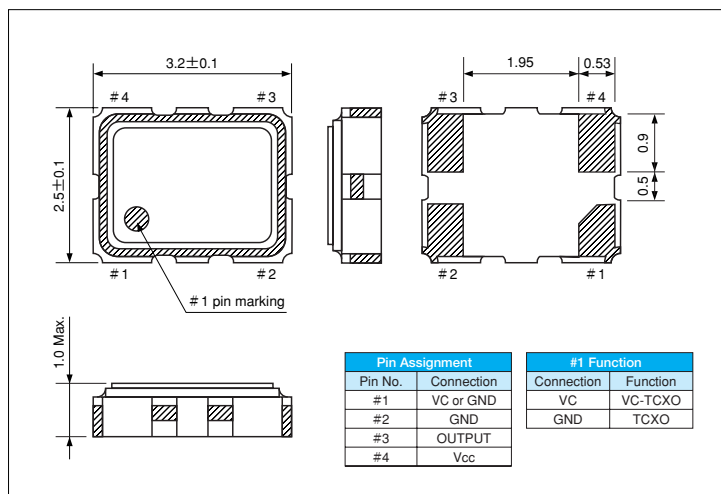
2000pcs/reel



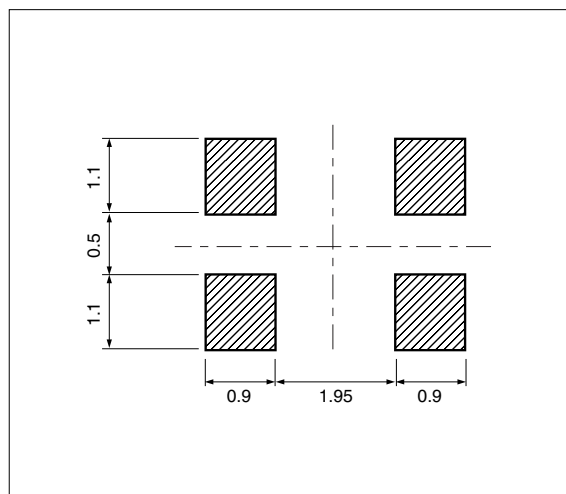
FEATURES

- High-density SMD type.
Ultra-light weight and ultra-miniature size.
- With the function of frequency and voltage control.
- Available in 1.8V ultralow voltage drive.
- Low current consumption.
- Automatic mounting and reflowable type.
- Most appropriate for cellular phone, GPS and other equipment with telecommunication devices.

DIMENSION [mm]



SOLDER PAD LAYOUT [mm]



STANDARD SPECIFICATIONS

Item	Model	CSX-325T			
Nominal Frequency	f ₀	13.0MHz , 16.0MHz	19.2MHz	23.104MHz , 26.0MHz , 32.0MHz , 33.6MHz , 38.4MHz	52.0MHz
Frequency Stability	Δf/f ₀	±2.5ppm / (−30°C ~ +75°C)			
Operating Temperature Range	T _{OPR}	−30°C ~ +75°C			
Storage Temperature Range	T _{STR}	−40°C ~ +85°C			
Supply Voltage	V _{dd}	1.8V ~ 3.0V			
Frequency adjustment range	Δf _{VC}	±8ppm Min. / (V _{cont} =V _{dd} /2±1.0V)			
Current consumption	I _{dd}	1.5mA Max		2.0mA Max	2.5mA Max
Output Voltage	V _{OUT}	0.8Vp-p Min. (10kΩ / 10pF)			
Start-up time	T _{ST}	5.0 msec Max.		3.5 msec Max.	
Aging (first year)	F _A	±1.0ppm / year Max.			