



Chipsmall Limited consists of a professional team with an average of over 10 year of expertise in the distribution of electronic components. Based in Hongkong, we have already established firm and mutual-benefit business relationships with customers from,Europe,America and south Asia,supplying obsolete and hard-to-find components to meet their specific needs.

With the principle of “Quality Parts,Customers Priority,Honest Operation,and Considerate Service”,our business mainly focus on the distribution of electronic components. Line cards we deal with include Microchip,ALPS,ROHM,Xilinx,Pulse,ON,Everlight and Freescale. Main products comprise IC,Modules,Potentiometer,IC Socket,Relay,Connector.Our parts cover such applications as commercial,industrial, and automotives areas.

We are looking forward to setting up business relationship with you and hope to provide you with the best service and solution. Let us make a better world for our industry!



Contact us

Tel: +86-755-8981 8866 Fax: +86-755-8427 6832

Email & Skype: info@chipsmall.com Web: www.chipsmall.com

Address: A1208, Overseas Decoration Building, #122 Zhenhua RD., Futian, Shenzhen, China



CSX-750A series

(2,000pcs/reel)



■ FEATURES:

- Precision PLL technology enables up to 140MHz high frequency output.
- Extremely low jitter.
- Ultra-miniature low profile SMT package.
- Ceramic leadless chip carrier with seam-welded metal lid.
- Low power CMOS IC.
- Supply voltage 5.0V and 3.3V.
- Output enable or Stand-by function.
- Reflow soldering.
- Tape and reel packaging.

■ APPLICATIONS:

- Can be used for a wide range of applications including use in communication equipment, AV equipment, OA equipment and measuring instruments.

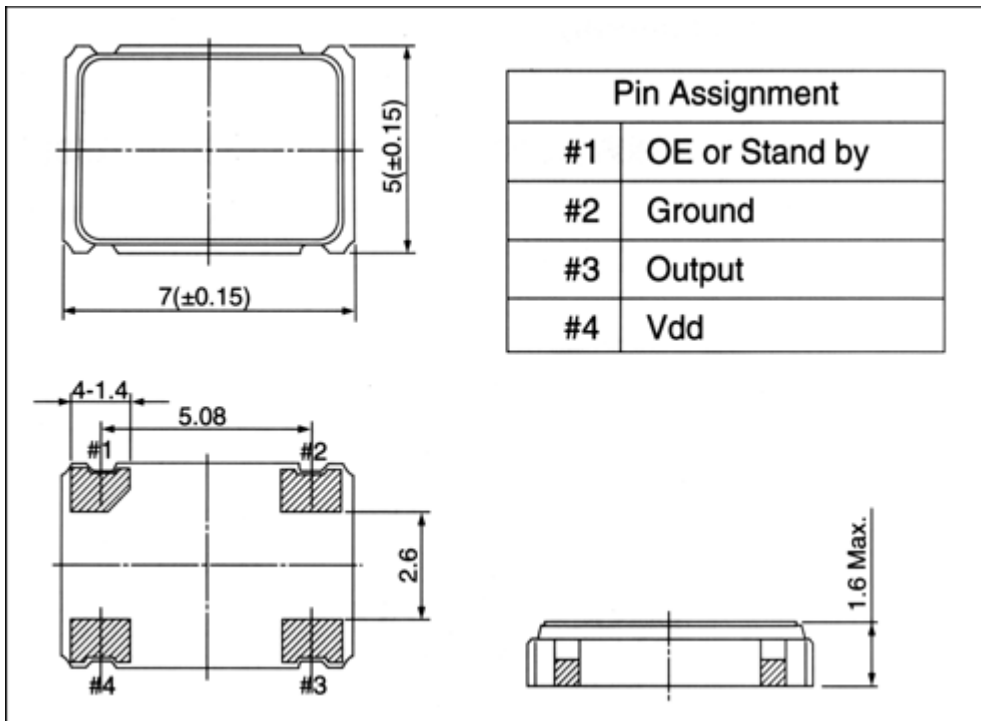
■ STANDARD SPECIFICATIONS

Item	OE	CSX-750AC(*)	CSX-750AB(*)
	STAND-BY	CSX-750AD(*)	CSX-750AJ(*)
Frequency range		40.0000MHz to 140.0000MHz	40.0000MHz to 140.0000MHz (40.0000MHz to 140.0000MHz)
Frequency stability (*)		C: ±100ppm B: ±50ppm (-20°C to +70°C) F: ±100ppm (-40°C to +85°C)	
Operating temperature range		-20°C to +70°C (-40°C to +85°C)	
Storage temperature range		-55°C to +125°C	
Supply voltage		V _{DD} :5.0V±0.5V	V _{DD} :3.3V±0.3V(3.0V±0.3V)
Supply current		50mA Max.	30mA Max.
Duty	TTL level (1.4V)	40% to 60%	—
	CMOS level (V _{DD} /2)	45% to 55%	45% to 55%
Output voltage	V _{OH}	V _{DD} -0.5V Min	V _{DD} -0.4V Min
	V _{OL}	0.5V Max	0.4V Max
Output load	TTL	10TTL Max.	—
Output load	CMOS	30pF Max.	15pF Max.
Rise & Fall time	TTL	tr, tf: 2.5nsec Max.	—
	CMOS		tr, tf: 2.5nsec Max.
Start up time		4msec Max.	4msec Max.
Input (OE) voltage		V _{IH} : 2.0V Min.	V _{IH} : 2.0V _{DD} Min.
		V _{IL} : 0.8V Max.	V _{IL} : 0.8V _{DD} Max.

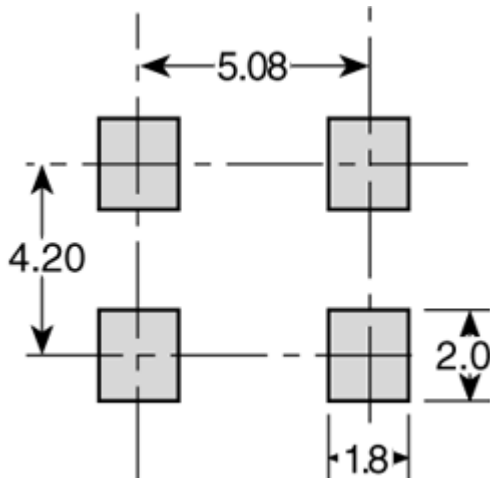
Output Disable current AC AB	15mA Max.	10mA Max.
Stand-by current AD AJ	20uA Max.	15uA Max.
Absolute Clock Period Jitter, 125MHz	±70ps TYP.	
1 Sigma Clock Period Jitter, 125MHz	25ps TYP.	
Cycle to Cycle Jitter, 125MHz	±70ps TYP.	
Shock resistance	±20ppm MAX. (75cm height drop on hardwood board 3 times.)	

NOTE: Please contact us for availability of TTL tight-duty and operating temperature range (-40°C to +85°C).

■ DIMENSIONS: (UNIT=mm)



■ RECOMENDED SOLDERING PATTERN: (UNIT=mm)



[Back](#)