



Chipsmall Limited consists of a professional team with an average of over 10 year of expertise in the distribution of electronic components. Based in Hongkong, we have already established firm and mutual-benefit business relationships with customers from,Europe,America and south Asia,supplying obsolete and hard-to-find components to meet their specific needs.

With the principle of “Quality Parts,Customers Priority,Honest Operation,and Considerate Service”,our business mainly focus on the distribution of electronic components. Line cards we deal with include Microchip,ALPS,ROHM,Xilinx,Pulse,ON,Everlight and Freescale. Main products comprise IC,Modules,Potentiometer,IC Socket,Relay,Connector.Our parts cover such applications as commercial,industrial, and automotives areas.

We are looking forward to setting up business relationship with you and hope to provide you with the best service and solution. Let us make a better world for our industry!



Contact us

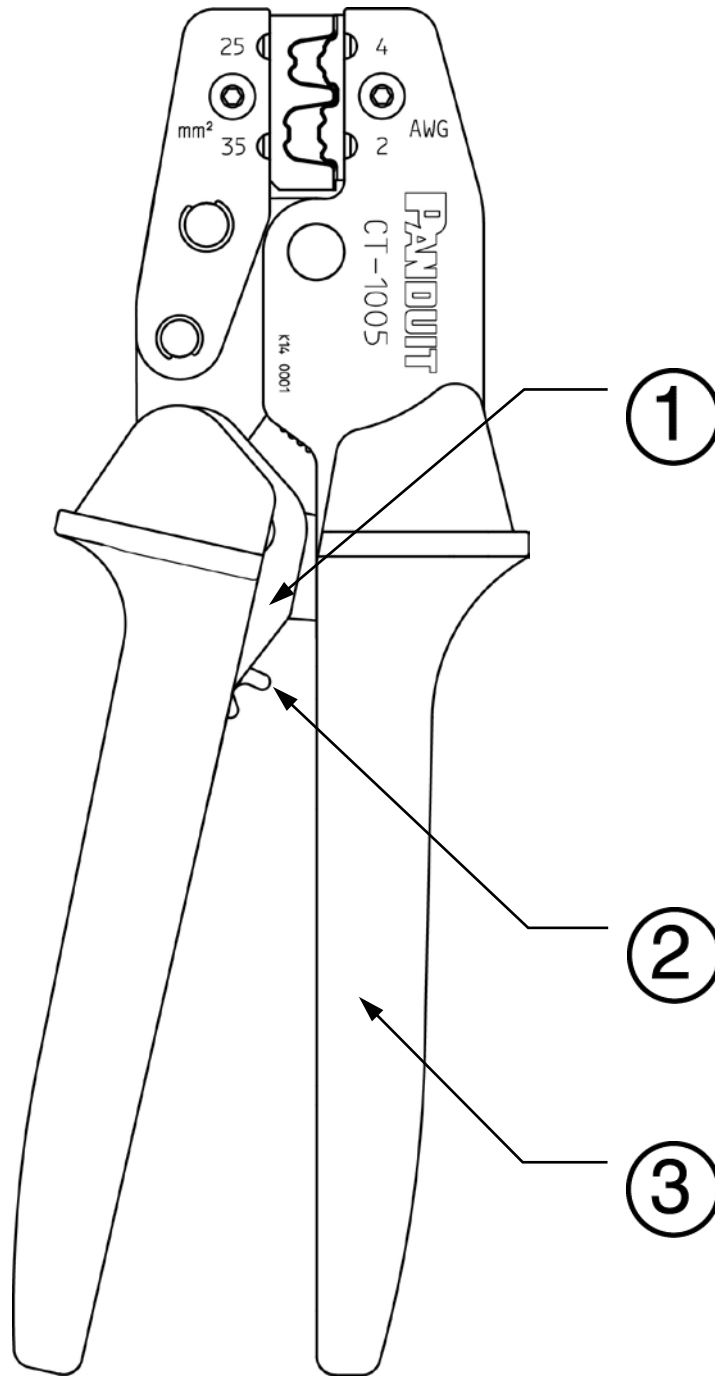
Tel: +86-755-8981 8866 Fax: +86-755-8427 6832

Email & Skype: info@chipsmall.com Web: www.chipsmall.com

Address: A1208, Overseas Decoration Building, #122 Zhenhua RD., Futian, Shenzhen, China



THIS COPY IS PROVIDED ON A RESTRICTED BASIS AND IS NOT TO BE USED IN ANY WAY DETRIMENTAL TO THE INTERESTS OF PANDUIT CORP.



CT-1005 TOOL SHOWN

TOOL	WEIGHT	LENGTH	CLOSED HANDLE WIDTH
CT-1005	10.6 oz. (300 gr.)	8.56 (217.4)	2.91 (73.9)
CT-1006		8.56 (217.4)	2.91 (73.9)

CT-1005	"G" Dia (GO)	"NG" Dia. (NO GO)
2 AWG	.176" (4,47mm)	.182" (4,62mm)
4 AWG	.135" (3,43mm)	.142" (3,61mm)

CT-1006	"G" Dia (GO)	"NG" Dia. (NO GO)
1 AWG	.215" (5,46mm)	.222" (5,64mm)

NOTES, UNLESS OTHERWISE SPECIFIED:

Panduit Tool Number:
CT-1005 used to install single and dual wire, Panduit insulated and non-insulated loose piece ferrules.

Crimps the following types:

- FTD type: #2 x 6 AWG – #2 x 8 AWG [2.0 X 10.0 mm² – 2.0 x 16.0 mm²] dual wire insulated ferrules
- FSD type: #4 AWG – 2 AWG [25.0 mm² – 35.0 mm²] single wire insulated ferrules
- F type: #4 AWG – 2 AWG [25.0 mm² – 35.0 mm²] single wire non-insulated ferrules

CT-1006 used to install single wire, Panduit insulated and non-insulated loose piece ferrules.

Crimps the following types:

- FSD type: #1 AWG [50.0mm²] single wire insulated ferrules (DIN)
- F type: #1 AWG [50.0mm²] single wire non-insulated ferrules

TOOL FEATURES INCLUDE:

1. Controlled cycle mechanism prevents tool from opening before crimp cycle is complete.
2. Manual release lever, push forward in the event that controlled cycle mechanism must be released.
3. Resilient grips to prevent operator fatigue.



NOTE: The grips are NOT intended to insulate against electrical shock.

DIMENSIONS SHOWN IN PARENTHESES ARE MILLIMETERS AND ARE FOR REFERENCE ONLY.

REV	DATE	BY	CHK	APR	DESCRIPTION	ECN	CT-1005 and CT-1006					
							CUSTOMER DRAWING					
							ITEM REVISION NAME:		PANDUIT			
							TP27652B01_00					
							UNLESS OTHERWISE SPECIFIED, DIMENSIONAL TOLERANCES ARE:			MATERIAL:		
							(.x) ± --- (.xxx) ± .015			-----		
							(.xx) ± .03 ANGLES ± 1°			DRAWING NUMBER:		
							THIRD ANGLE PROJECTION			TP27652B01		
							DRAWN BY:	DATE:	CHK	SCALE	SHT 1 OF 1	SIZE B
							BLR	5-06-15	BJPU	NONE		