



Chipsmall Limited consists of a professional team with an average of over 10 year of expertise in the distribution of electronic components. Based in Hongkong, we have already established firm and mutual-benefit business relationships with customers from,Europe,America and south Asia,supplying obsolete and hard-to-find components to meet their specific needs.

With the principle of “Quality Parts,Customers Priority,Honest Operation,and Considerate Service”,our business mainly focus on the distribution of electronic components. Line cards we deal with include Microchip,ALPS,ROHM,Xilinx,Pulse,ON,Everlight and Freescale. Main products comprise IC,Modules,Potentiometer,IC Socket,Relay,Connector.Our parts cover such applications as commercial,industrial, and automotives areas.

We are looking forward to setting up business relationship with you and hope to provide you with the best service and solution. Let us make a better world for our industry!



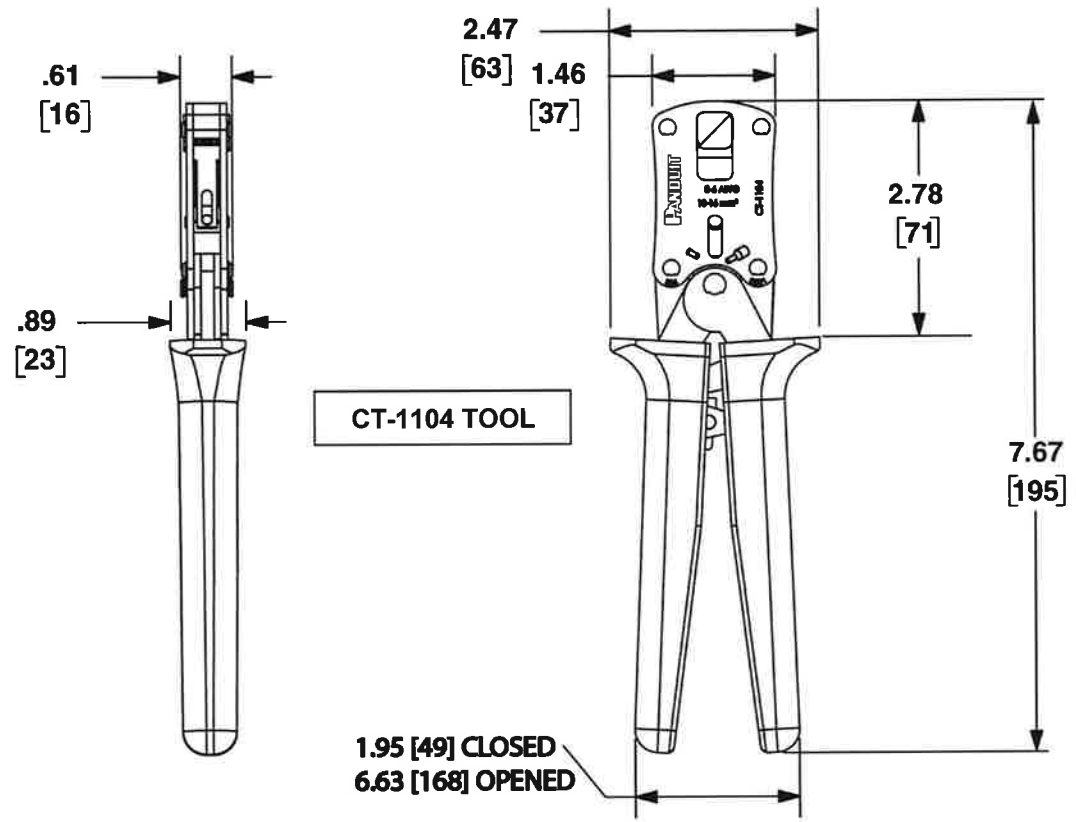
Contact us

Tel: +86-755-8981 8866 Fax: +86-755-8427 6832

Email & Skype: info@chipsmall.com Web: www.chipsmall.com

Address: A1208, Overseas Decoration Building, #122 Zhenhua RD., Futian, Shenzhen, China





CT-1104 TOOL

NOTES, UNLESS OTHERWISE SPECIFIED:

Panduit Tool Number CT-1104 is used to install single and dual wire Panduit insulated and non-insulated loose piece ferrules.

Crimps the following types:

- FTD type: 2 x 10 [6.0mm²] AWG insulated ferrules
- FSD and FSF type: #8 [10.0mm²] – #6 [16.0mm²] AWG insulated ferrules
- F type: #8 [10.0mm²] – #6 [16.0mm²] AWG non-insulated ferrules

TOOL FEATURES INCLUDE:

1. Self-adjusting crimp die for Insulated and non-insulated ferrules. Ferrule size dependent on wire gage. Refer to ferrule packaging for proper ferrule and wire combinations.
2. Controlled cycle mechanism prevents tool from opening before crimp cycle is complete.
3. Manual release lever, push forward in the event that controlled cycle mechanism must be released.
4. Resilient grips to prevent operator fatigue.
NOTE: The grips are NOT intended to insulate against electrical shock.

TOOL WEIGHT: 10.6 oz. (300 gr.)

DIMENSIONS SHOWN IN PARENTHESES ARE MILLIMETERS.

F:\wrkgpr\rvusers\ENGR_DOCS\CUSTOMER DRAWINGS\TP25122B01_02 CT-1104 CD.doc

REV	DATE	BY	CHK	APR	DESCRIPTION	ECN	CT-1104						
							CUSTOMER DRAWING						
							ITEM REVISION NAME:		PANDUIT				
							TP25122B01_02						
							UNLESS OTHERWISE SPECIFIED, DIMENSIONAL TOLERANCES ARE:		SEE NOTES				
							(.x) ± — (.xxx) ± — (.xx) ± — ANGLES ± —						
							THIRD ANGLE PROJECTION		DRAWING NUMBER: TP25122B01				
							DRAWN BY: BLR					DATE: 3-29-06	CHK: SRRE
02	6-26-14	BLR	<i>[Signature]</i>	<i>[Signature]</i>	UPD TOOL HEAD GRAPHIC	4754							
01	4-02-13	BLR	BJPU	ABJ	UPD TEMPLATE, BRANDING	4609							
00	3-29-06	BLR	SRRE	RFL	RELEASED	4195							