



Chipsmall Limited consists of a professional team with an average of over 10 year of expertise in the distribution of electronic components. Based in Hongkong, we have already established firm and mutual-benefit business relationships with customers from,Europe,America and south Asia,supplying obsolete and hard-to-find components to meet their specific needs.

With the principle of “Quality Parts,Customers Priority,Honest Operation,and Considerate Service”,our business mainly focus on the distribution of electronic components. Line cards we deal with include Microchip,ALPS,ROHM,Xilinx,Pulse,ON,Everlight and Freescale. Main products comprise IC,Modules,Potentiometer,IC Socket,Relay,Connector.Our parts cover such applications as commercial,industrial, and automotives areas.

We are looking forward to setting up business relationship with you and hope to provide you with the best service and solution. Let us make a better world for our industry!



## Contact us

Tel: +86-755-8981 8866 Fax: +86-755-8427 6832

Email & Skype: info@chipsmall.com Web: www.chipsmall.com

Address: A1208, Overseas Decoration Building, #122 Zhenhua RD., Futian, Shenzhen, China

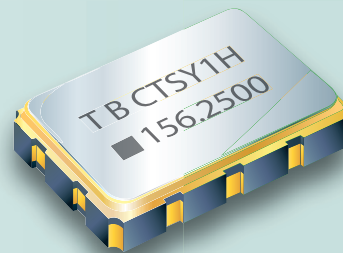


# SMD LVDS SAW Oscillators - Differential Output 5.0 x 3.2 x 1.2 mm CT Series

Oscillators  
 Series

## Features

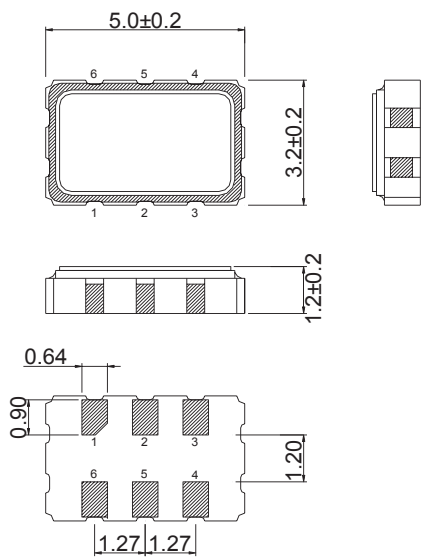
- SAW base solution.
- 3.3V and 2.5V operation available.
- LVDS output, output frequencies 150 MHz to 700 MHz.
- Excellent low phase noise and jitter.
- Tri-State function available.
- Applications : Fibre Channel, Gigabit Ethernet, Serial ATA, Serial Attached SCSI, PCI-Express, SDH / SONET.
- RoHS Compliant / Pb Free.



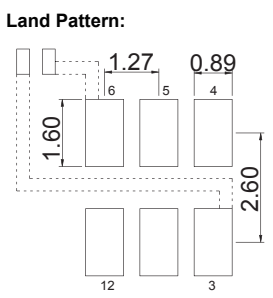
Electrical Specifications	CT
Output Type	LVDS
Output Load	100 Ω
Oscillation Mode	Fundamental
Supply Voltage	2.5 V , 3.3 V
Frequency Range	150 ~ 700 MHz
Overall Frequency Stability *	± 100 ppm , or specify
Operating Temperature Range	-10 ~ + 70 °C , - 5 ~ + 85 °C , or specify
Storage Temperature Range	- 55 ~ + 125 °C
Voltage Vol(Min.) / Voh (Max.)	0.9 V / 1.6 V
Rise ( Tr ) / Fall ( Tf ) Time ( 20 % ~ 80 % )	1 nS Max.
Supply Current	80 mA Max.
Symmetry	45 ~ 55 %
Start-up Time	10 mS Max.
Phase Jitter ( 12 KHz ~ 20 MHz )	1 pS Max.

\* Inclusive of frequency tolerance at 25 °C, variation over temperature, supply voltage variation, aging and vibration.

## Dimensions



- Pin Function:**
1. Enable Control or NC
  2. Enable Control or NC
  3. GND
  4. OUT
  5. OUTN
  6. VDD



※ Pad dimension tolerance ±0.2 mm  
 ※ Power Supply Decoupling Capacitor is Required.  
 ※ Pad dimension tolerance ±0.2 mm  
 Units: mm

Remark : Specification subject to change without prior notice. Please confirm with our sales. <http://www.txccorp.com>