



Chipsmall Limited consists of a professional team with an average of over 10 year of expertise in the distribution of electronic components. Based in Hongkong, we have already established firm and mutual-benefit business relationships with customers from,Europe,America and south Asia,supplying obsolete and hard-to-find components to meet their specific needs.

With the principle of “Quality Parts,Customers Priority,Honest Operation,and Considerate Service”,our business mainly focus on the distribution of electronic components. Line cards we deal with include Microchip,ALPS,ROHM,Xilinx,Pulse,ON,Everlight and Freescale. Main products comprise IC,Modules,Potentiometer,IC Socket,Relay,Connector.Our parts cover such applications as commercial,industrial, and automotives areas.

We are looking forward to setting up business relationship with you and hope to provide you with the best service and solution. Let us make a better world for our industry!



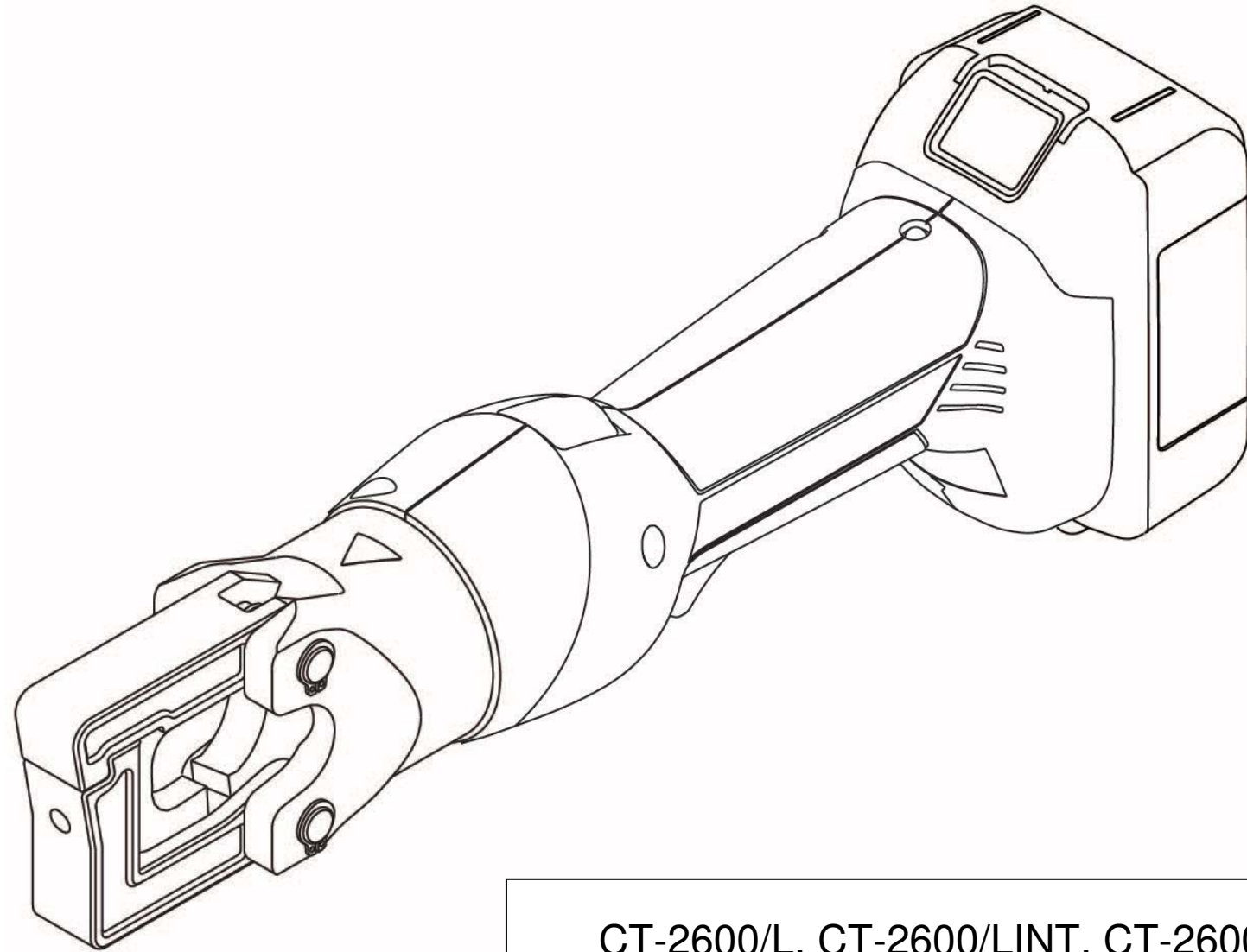
Contact us

Tel: +86-755-8981 8866 Fax: +86-755-8427 6832

Email & Skype: info@chipsmall.com Web: www.chipsmall.com

Address: A1208, Overseas Decoration Building, #122 Zhenhua RD., Futian, Shenzhen, China





CT-2600/L, CT-2600/LINT, CT-2600/LUK,
CT-2600/LAUS AND CT-2600/TO TOOLS

NOTES, UNLESS OTHERWISE SPECIFIED:

The CT-2600/L Series Battery Operated Crimping Tools are designed to crimp #10 AWG thru #22 AWG Panduit terminals, disconnects and splices.

The CT-2600/L Series Tools include:

- 1 – Battery Operated Crimping Tool (with battery cartridge)
- 1 – Spare Battery Cartridge
- 1 – Battery Charger
- 1 – Tool Case

Weight (including battery)	4.0 lbs. (1,8 kg)
Dimensions:	13.25" L x 2.87" H x 4.5" W – with battery [337 L x 73 H x 114 W] mm
Crimping Time	4 seconds
Crimping Force	4 tons (35 kN)

CT-2600/L Series Battery Operated Crimping Tools are to be used with the following dies: CD-2600-P2, CD-2600-P4, CD-2600-P6, CD-2600-P8, CD-2600-PV2, CD-2600-PV4, CD-2600-PV6 and CD-2600-PV8; and are sold separately.


The operation manual for the CT-2600/L, CT-2600/LINT, CT-2600/LUK, CT-2600/LAUS and CT-2600/TO tools, plus die inserts can be found at: www.panduit.com.

Replacement Batteries and Battery Chargers are sold separately.

CT-LIBCMK2AH (2 Ah)	Replacement Battery Cartridge
CT-LIBCMK3AH (3 Ah)	Replacement Battery Cartridge
CT-LIBCMK3AHINT (3 Ah)	Replacement Battery Cartridge - Euro Standards
CT-LIBCMK3AHUK (3 Ah)	Replacement Battery Cartridge - UK Standards
CT-LIBCMK3AHAUS (3 Ah)	Replacement Battery Cartridge - Australian Standards
CT-CHRMK120V	Replacement Battery Charger
CT-CHRMK230VINT	Replacement Battery Charger - Euro 2-prong plug
CT-CHRMK230VUK	Replacement Battery Charger - UK 3-prong plug
CT-CHRMK230VAUS	Replacement Battery Charger - Australian 3-prong plug

Dimensions in [brackets] are in millimeters.
All dimensions are for reference only.

File Location:Teamcenter

REV	DATE	BY	CHK	APR	DESCRIPTION	ECN	CT-2600/L, CT-2600/LINT, CT-2600/LUK, CT-2600/LAUS & CT-2600/TO					
							CUSTOMER DRAWING					
							ITEM REVISION NAME: TP28124B01_01					
							UNLESS OTHERWISE SPECIFIED, DIMENSIONAL TOLERANCES ARE: (.x) ± --- (.xxx) ± --- (.xx) ± --- ANGLES ± ---					
01	11-03-16	BLR	BJPU	JADE	UPD TOOL/BATTERY/CHR LISTING	10899	THIRD ANGLE PROJECTION		DRAWING NUMBER: TP28124B01			
00	7-21-16	BLR	BJPU	JADE	RELEASED	9767	DRAWN BY: BLR	DATE: 7-21-16	CHK BJPU	SCALE NONE	SHT 1 OF 1	SIZE B