



Chipsmall Limited consists of a professional team with an average of over 10 year of expertise in the distribution of electronic components. Based in Hongkong, we have already established firm and mutual-benefit business relationships with customers from,Europe,America and south Asia,supplying obsolete and hard-to-find components to meet their specific needs.

With the principle of “Quality Parts,Customers Priority,Honest Operation,and Considerate Service”,our business mainly focus on the distribution of electronic components. Line cards we deal with include Microchip,ALPS,ROHM,Xilinx,Pulse,ON,Everlight and Freescale. Main products comprise IC,Modules,Potentiometer,IC Socket,Relay,Connector.Our parts cover such applications as commercial,industrial, and automotives areas.

We are looking forward to setting up business relationship with you and hope to provide you with the best service and solution. Let us make a better world for our industry!



Contact us

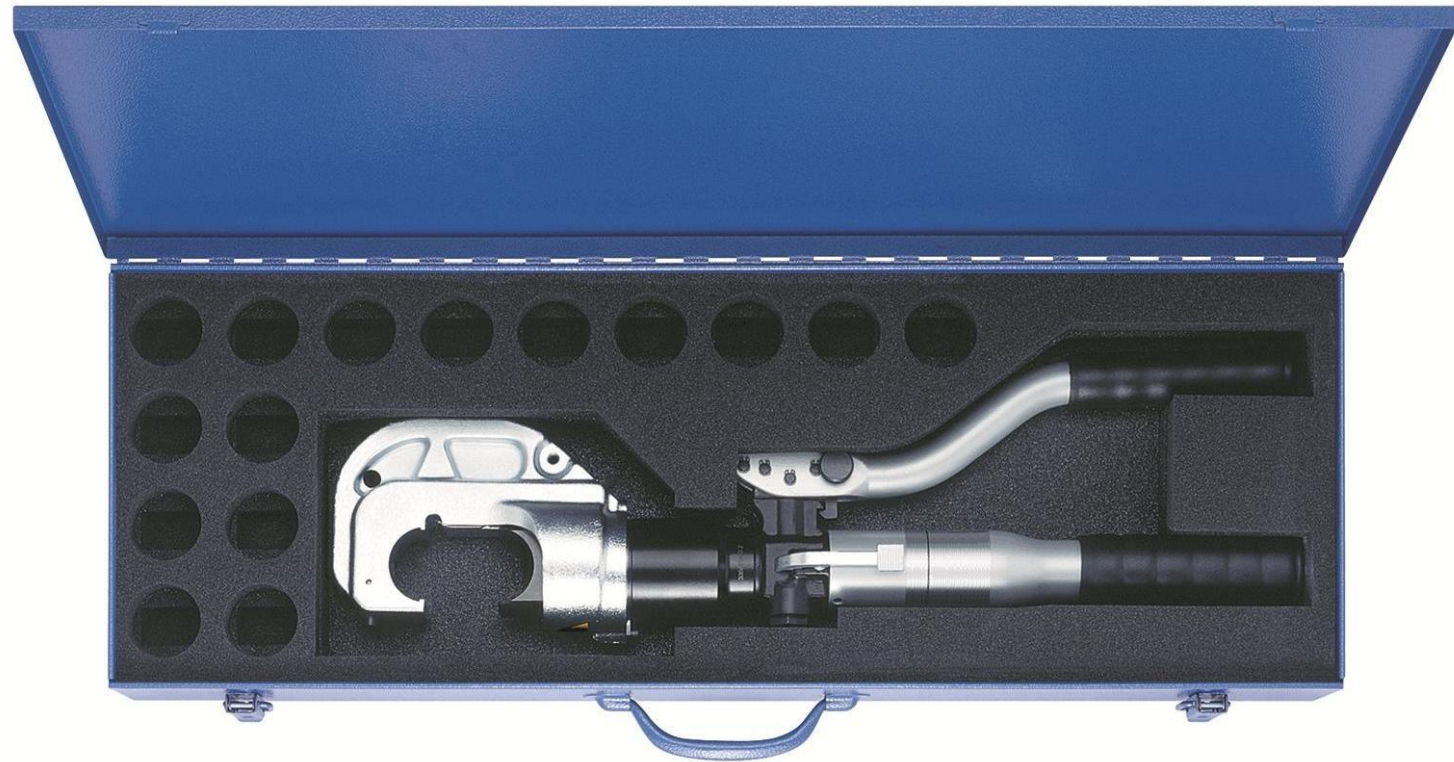
Tel: +86-755-8981 8866 Fax: +86-755-8427 6832

Email & Skype: info@chipsmall.com Web: www.chipsmall.com

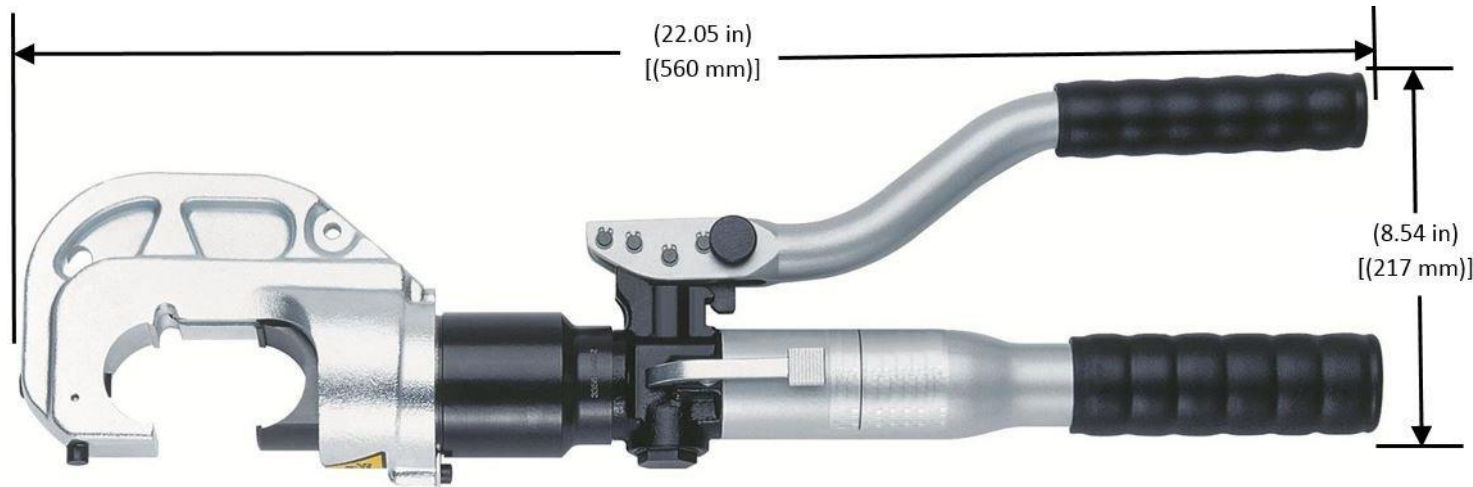
Address: A1208, Overseas Decoration Building, #122 Zhenhua RD., Futian, Shenzhen, China



THIS COPY IS PROVIDED ON A RESTRICTED BASIS AND IS NOT TO BE USED IN ANY WAY DETRIMENTAL TO THE INTERESTS OF PANDUIT CORP.



*NOTE: CT-920 SHOWN IN PICTURES. CT-920/CV NOT SHOWN.



CT-920 • CT-920/CV
CRIMP TOOLS

NOTES, UNLESS OTHERWISE SPECIFIED:

The CT-920 and CT-920/CV Hand Operated Hydraulic Crimping Tools are designed to crimp:

- Crimps Panduit Copper and Aluminum compression connectors using Panduit Crimping Dies. Go to www.panduit.com for information.

The CT-920 Tool includes:

Qty.	Description / Item
1	Hand Operated Hydraulic Crimp Tool
1	Steel Tool Case with Crimp Die Storage

The CT-920/CV Tool includes:

Qty.	Description / Item
1	Hand Operated Hydraulic Crimp Tool with Dual-Layer PVC Covered Crimp Head
1	Steel Tool Case with Crimp Die Storage

Technical Information:

Tool Weight	13.9 lbs. (6.3 kg)
Dimensions	22.1" L x 8.5" H x 2.91" W [560 L x 217 H x 74 W] mm
Crimping Force	12 tons (108 kN)

Tools are to be used with Panduit crimp dies, and are sold separately. Go to www.panduit.com for more information.

Copy of the operation manual and accessory information can be found at: www.panduit.com.

Dimensions in [brackets] are in millimeters. All dimensions are for reference only.

REV	DATE	BY	CHK	APR	DESCRIPTION	ECN	CT-920 and CT-920/CV					
							CUSTOMER DRAWING					
							ITEM REVISION NAME: 00084SLM_DC/00		PANDUIT			
							UNLESS OTHERWISE SPECIFIED, DIMENSIONAL TOLERANCES ARE: (.x) ± --- (.xxx) ± --- (.xx) ± --- ANGLES ± ---					
							THIRD ANGLE PROJECTION		MATERIAL: -----			
00	7-25-16	BKA	ACC	JADE	DRAWING RELEASED	010062	DRAWN BY: BKA		DATE: 7-21-16	CHK ACC	SCALE NONE	DRAWING NUMBER: 00084SLM_DC
							SHT 1 OF 1		SIZE B			