



Chipsmall Limited consists of a professional team with an average of over 10 year of expertise in the distribution of electronic components. Based in Hongkong, we have already established firm and mutual-benefit business relationships with customers from,Europe,America and south Asia,supplying obsolete and hard-to-find components to meet their specific needs.

With the principle of “Quality Parts,Customers Priority,Honest Operation,and Considerate Service”,our business mainly focus on the distribution of electronic components. Line cards we deal with include Microchip,ALPS,ROHM,Xilinx,Pulse,ON,Everlight and Freescale. Main products comprise IC,Modules,Potentiometer,IC Socket,Relay,Connector.Our parts cover such applications as commercial,industrial, and automotives areas.

We are looking forward to setting up business relationship with you and hope to provide you with the best service and solution. Let us make a better world for our industry!



## Contact us

Tel: +86-755-8981 8866 Fax: +86-755-8427 6832

Email & Skype: info@chipsmall.com Web: www.chipsmall.com

Address: A1208, Overseas Decoration Building, #122 Zhenhua RD., Futian, Shenzhen, China



# CT05 SERIES MOLDED SWITCH




## CT05 Series

The CT05 is a molded dry reed switch. It is single-pole, single throw (SPST) type, having normally open ruthenium contacts.

The sensor is a double-ended type and may be actuated with an electromagnet, a permanent magnet or a combination of both.

The device is designed for SMD mounting and is available in Gull Wing or J-lead configurations.

## CT05 Series Features

- ▶ Ideal for SMD pick and place
- ▶ Tape and reel packaging
- ▶ 5W rating
- ▶ Rugged encapsulation
- ▶ Excellent life and reliability
- ▶ RoHS compliant 

## APPLICATIONS

- ▶ Proximity Sensing
- ▶ Medical Applications
- ▶ Hearing Aids
- ▶ Pulse Counter

MODEL NUMBER		CT05-XXXX-G1	CT05-XXXX-J1
<b>Parameters</b>	<b>Units</b>		
<b>OPERATING CHARACTERISTICS</b>			
Operate Range	AT	15-50	15-50
Release Range	AT	5-45	5-45
<b>ELECTRICAL CHARACTERISTICS</b>			
Switched Power (max)	W	5	5
Switched Voltage DC (max)	V	140	140
Switched Voltage AC, RMS value (max)	V	100	100
Switched Current DC (max)	mA	350	350
Switched Current AC, RMS value (max)	mA	250	250
Carry Current DC (max)	A	0.5	0.5
Breakdown Voltage (min)	V	230	230
Contact Resistance (initial max)	mΩ	160	160
Contact Resistance (initial typ.)	mΩ	140	140
Insulation Resistance (min)	MΩ	10 <sup>6</sup>	10 <sup>6</sup>
<b>ENVIRONMENTAL RATINGS</b>			
Storage Temperature	°C	-40 to + 125	-40 to + 125
Operating Temperature	°C	-40 to + 125	-40 to + 125
Vibration Resistance	G	10	10
Shock Resistance	G	100	100

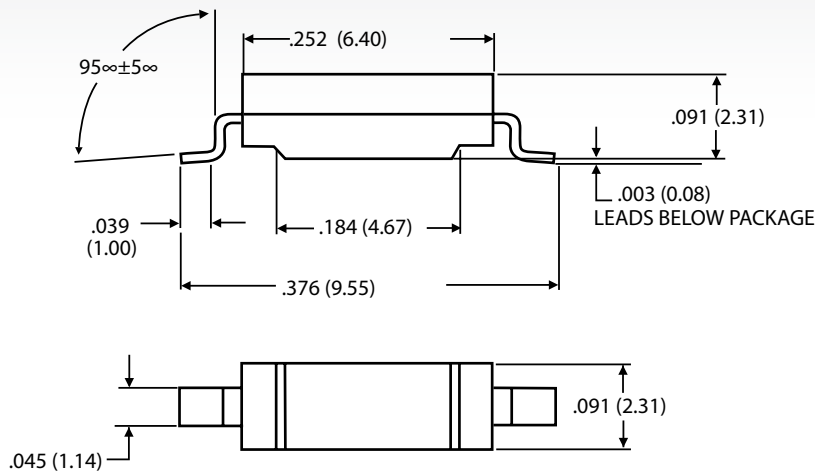
## NOTES

- ▶ AT values measured using a Philips 10JK coil.
- ▶ Surface mount component processing temperature: 500°F(260°C) max for 1 minute dwell time.
- ▶ Temperature measured on leads where lead exits molded package.

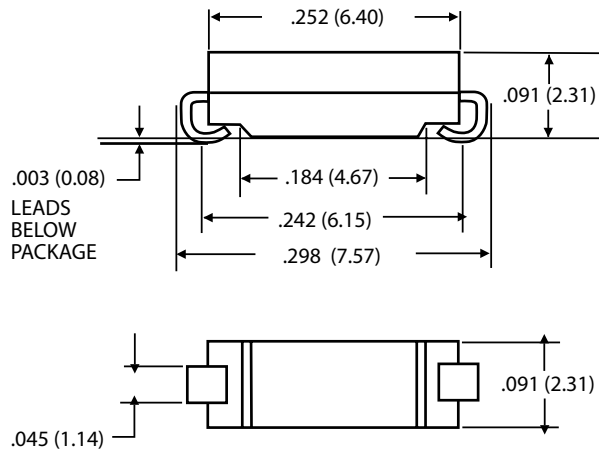
## DIMENSIONS

max Inches (Millimeters)

### CT05-XXXX-G1



### CT05-XXXX-J1



## ORDERING INFORMATION

A complete part number is represented by the digits to the right of the CT05 series prefix followed by a suffix as shown below.

**EXAMPLE:** CT05-3050-G1 is

- ▶ a CT05 sensor (5mm encapsulated switch)
- ▶ with a sensitivity range from 30 to 50AT
- ▶ lead ends are formed according to the G1 version
- ▶ CT05-XXXX (0001-1999) without a suffix is a customer special.

CT05-XXXX-YY	
<b>Series</b>	<b>Lead Configuration Subset:</b>
CT05	G1 for Gull Wing Version J1 for J-Lead Version
<b>Std. AT Ranges</b> (measured after mold & lead form)	
15-35; 30-50	

22102013