



Chipsmall Limited consists of a professional team with an average of over 10 year of expertise in the distribution of electronic components. Based in Hongkong, we have already established firm and mutual-benefit business relationships with customers from,Europe,America and south Asia,supplying obsolete and hard-to-find components to meet their specific needs.

With the principle of "Quality Parts,Customers Priority,Honest Operation,and Considerate Service",our business mainly focus on the distribution of electronic components. Line cards we deal with include Microchip,ALPS,ROHM,Xilinx,Pulse,ON,Everlight and Freescale. Main products comprise IC,Modules,Potentiometer,IC Socket,Relay,Connector.Our parts cover such applications as commercial,industrial, and automotives areas.

We are looking forward to setting up business relationship with you and hope to provide you with the best service and solution. Let us make a better world for our industry!



Contact us

Tel: +86-755-8981 8866 Fax: +86-755-8427 6832

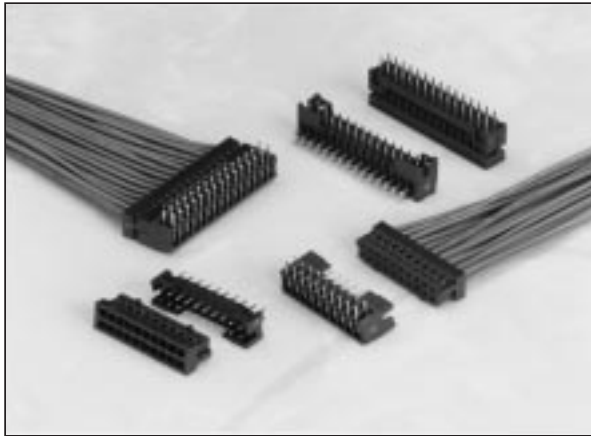
Email & Skype: info@chipsmall.com Web: www.chipsmall.com

Address: A1208, Overseas Decoration Building, #122 Zhenhua RD., Futian, Shenzhen, China



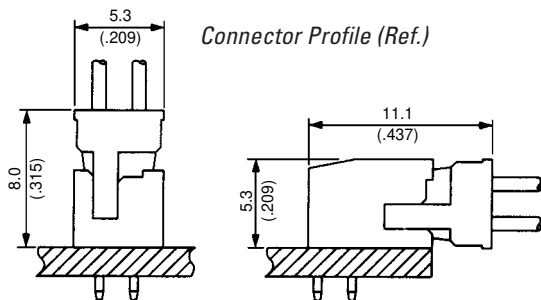
LY SERIES CONNECTORS

2.0mm (.079") Contact Spacing, PCB-to-Cable (Crimp Type) Connectors

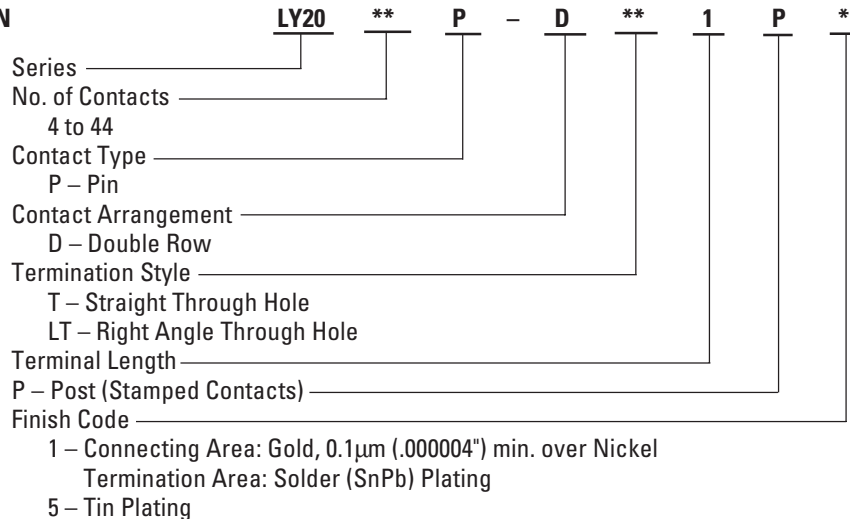


FEATURES

- Snap latch housing resists shock and vibration
- UL94V-0 rated insulator material
- Dual wipe stamped snap-in socket contacts
- Pin headers are available in straight and right angle PCB mounting configurations
- Both gold and tin plated contacts are available
- Polarized housing prevents mismatching



ORDERING INFORMATION (PIN HEADER)



LY Series connectors are low profile PCB-to-cable connectors used for PC peripherals. The LY Series connectors have a snap latch mechanism with a box-type housing. A polarizing feature prevents mismatching.

GENERAL SPECIFICATIONS

| | |
|---------------------------------|--|
| Number of Contacts | 4 to 44 (Even numbers only) |
| Contact Spacing | 2.0mm (.079") Grid |
| Current Rating | 3 Amps |
| Operating Voltage | 250 VAC r.m.s. |
| Dielectric Withstanding Voltage | 500 VAC r.m.s. (for one minute after test) |
| Insulation Resistance | 100 megohms min. (after test) |
| Contact Resistance | 20 milliohms max. (after test) |
| Operating Temperature | -40°C to +85°C |
| Applicable PCB Thickness | 1.6mm (.063") |
| Applicable Wire Size | #22 to #30 AWG (stranded) |

MATERIALS AND FINISHES

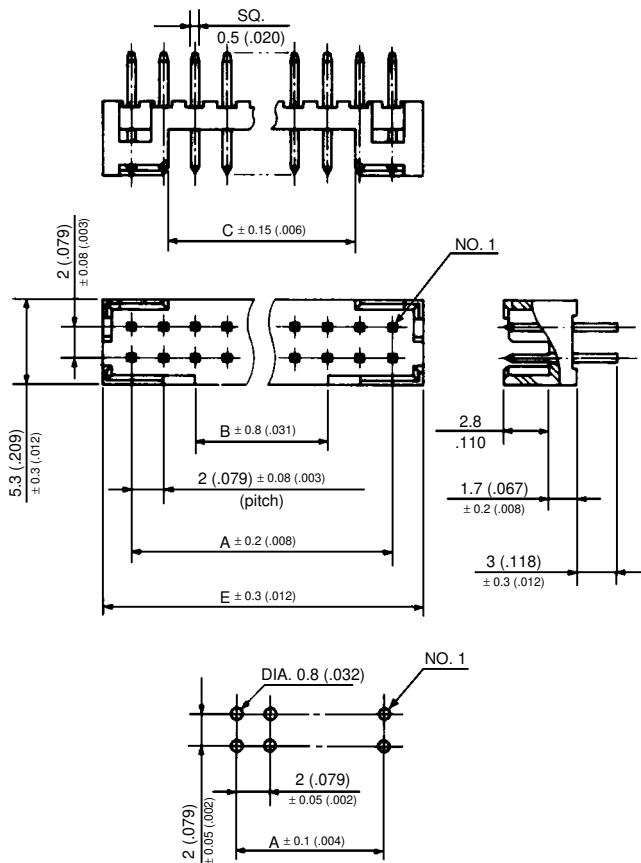
| Description | Materials/Finishes |
|-------------|--|
| Insulators | Glass-filled 6-6 Nylon (UL94V-0, Brown) |
| Contacts | Phosphor Bronze Code 1. Connecting Area: Gold, 0.1µm min. (.000004") over Nickel Terminal Area: Solder (SnPb) Plating 5. Tin Plating |

Dimensions and specifications subject to change without notice.

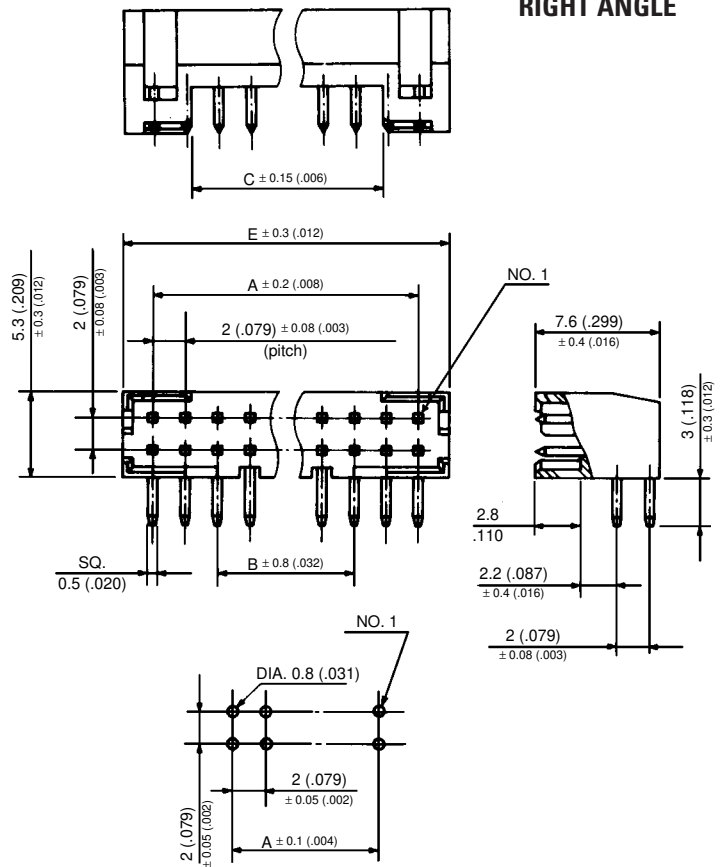
LY SERIES CONNECTORS

2.0mm (.079") Contact Spacing, PCB-to-Cable (Crimp Type) Connectors

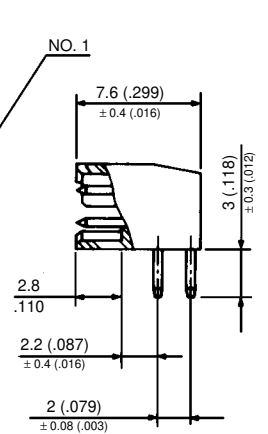
STRAIGHT



PIN HEADER LY20



RIGHT ANGLE



| No. of Contacts | Part Number | | A | B | C | E |
|-----------------|---------------------|------------------------|-------------|-------------|---------------|---------------|
| | Straight Pin Header | Right-Angle Pin Header | | | | |
| 4 | LY20 -4P-DT1-P* | LY20 -4P-DLT1-P* | 2 (.079) | — | — | 5.6 (.220) |
| 6 | LY20 -6P-DT1-P* | LY20 -6P-DLT1-P* | 4 (.157) | — | — | 7.6 (.299) |
| 8 | LY20 -8P-DT1-P* | LY20 -8P-DLT1-P* | 6 (.236) | — | 1.4 (.055) | 9.6 (.378) |
| 10 | LY20-10P-DT1-P* | LY20-10P-DLT1-P* | 8 (.315) | — | 3.4 (.134) | 11.6 (.457) |
| 12 | LY20-12P-DT1-P* | LY20-12P-DLT1-P* | 10 (.394) | 2 (.079) | 5.4 (.212) | 13.6 (.535) |
| 14 | LY20-14P-DT1-P* | LY20-14P-DLT1-P* | 12 (.472) | 4 (.157) | 7.4 (.291) | 15.6 (.614) |
| 16 | LY20-16P-DT1-P* | LY20-16P-DLT1-P* | 14 (.551) | 6 (.236) | 9.4 (.370) | 17.6 (.693) |
| 18 | LY20-18P-DT1-P* | LY20-18P-DLT1-P* | 16 (.630) | 8 (.315) | 11.4 (.449) | 19.6 (.772) |
| 20 | LY20-20P-DT1-P* | LY20-20P-DLT1-P* | 18 (.709) | 10 (.394) | 13.4 (.528) | 21.6 (.850) |
| 22 | LY20-22P-DT1-P* | LY20-22P-DLT1-P* | 20 (.787) | 12 (.472) | 15.4 (.606) | 23.6 (.929) |
| 24 | LY20-24P-DT1-P* | LY20-24P-DLT1-P* | 22 (.866) | 14 (.551) | 17.4 (.685) | 25.6 (1.008) |
| 26 | LY20-26P-DT1-P* | LY20-26P-DLT1-P* | 24 (.945) | 16 (.630) | 19.4 (.764) | 27.6 (1.087) |
| 28 | LY20-28P-DT1-P* | LY20-28P-DLT1-P* | 26 (1.024) | 18 (.709) | 21.4 (.842) | 29.6 (1.165) |
| 30 | LY20-30P-DT1-P* | LY20-30P-DLT1-P* | 28 (1.102) | 20 (.787) | 23.4 (.921) | 31.6 (1.244) |
| 32 | LY20-32P-DT1-P* | LY20-32P-DLT1-P* | 30 (1.181) | 22 (.866) | 25.4 (1.000) | 33.6 (1.323) |
| 34 | LY20-34P-DT1-P* | LY20-34P-DLT1-P* | 32 (1.260) | 24 (.945) | 27.4 (1.079) | 35.6 (1.402) |
| 36 | LY20-36P-DT1-P* | LY20-36P-DLT1-P* | 34 (1.338) | 26 (1.024) | 29.4 (1.157) | 37.6 (1.480) |
| 38 | LY20-38P-DT1-P* | LY20-38P-DLT1-P* | 36 (1.417) | 28 (1.102) | 31.4 (1.236) | 39.6 (1.559) |
| 40 | LY20-40P-DT1-P* | LY20-40P-DLT1-P* | 38 (1.496) | 30 (1.181) | 33.4 (1.315) | 41.6 (1.638) |
| 42 | LY20-42P-DT1-P* | LY20-42P-DLT1-P* | 40 (1.575) | 32 (1.260) | 35.4 (1.394) | 43.6 (1.716) |
| 44 | LY20-44P-DT1-P* | LY20-44P-DLT1-P* | 42 (1.654) | 34 (1.338) | 37.4 (1.472) | 45.6 (1.795) |

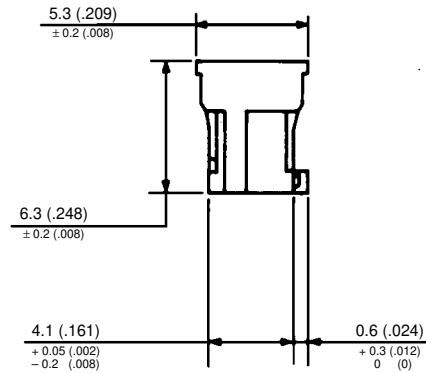
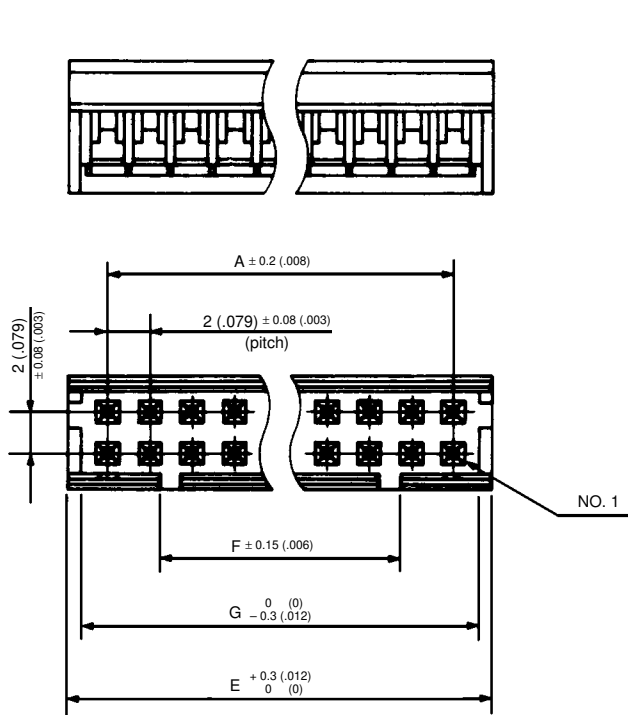
Note: * Add finish code 1 or 5 (See Materials and Finishes).

Dimensions in mm (inches).

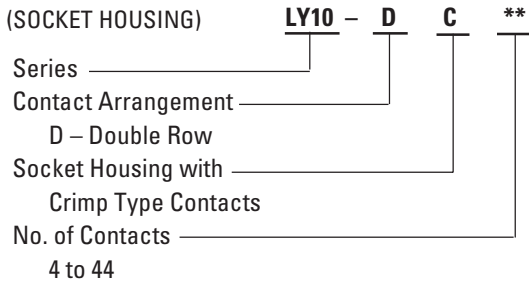
LY SERIES CONNECTORS

2.0mm (.079") Contact Spacing, PCB-to-Cable (Crimp Type) Connectors

SOCKET HOUSING LY10



ORDERING INFORMATION (SOCKET HOUSING)



Crimp Tools

| Applicable Wire | Hand Tool | Semi-Auto Machine |
|-----------------|-------------|-------------------|
| #22 to #26 | CT150-4-LY1 | Model CT350-2 |
| #26 to #30 | CT150-4-LY2 | |

Socket Contacts (Crimp Type)

| Part Number | Applicable Wire (Stranded) | |
|-----------------|----------------------------|--------------------------------|
| | AWG No. | Wire insulation outer diameter |
| LY10-C1-*-10000 | #22 to #26 | ø0.8 to ø1.3mm |
| LY10-C2-*-10000 | #26 to #30 | ø0.7 to ø1.2mm |

Note 1: * Add finish code 1 or 5 (See Materials and Finishes).
 Note 2: Socket contacts are supplied on 10,000 unit reels.

| No. of Contacts | Socket Housing | A | E | F | G |
|-----------------|----------------|------------|--------------|------------|--------------|
| 4 | LY10-DC 4 | 2 (.079) | 5.6 (.220) | — | 4.5 (.177) |
| 6 | LY10-DC 6 | 4 (.157) | 7.6 (.299) | — | 6.5 (.256) |
| 8 | LY10-DC 8 | 6 (.236) | 9.6 (.378) | 1 (.039) | 8.5 (.335) |
| 10 | LY10-DC 10 | 8 (.315) | 11.6 (.457) | 3 (.118) | 10.5 (.413) |
| 12 | LY10-DC 12 | 10 (.394) | 13.6 (.535) | 5 (.197) | 12.5 (.492) |
| 14 | LY10-DC 14 | 12 (.472) | 15.6 (.614) | 7 (.276) | 14.5 (.571) |
| 16 | LY10-DC 16 | 14 (.551) | 17.6 (.693) | 9 (.354) | 16.5 (.650) |
| 18 | LY10-DC 18 | 16 (.630) | 19.6 (.772) | 11 (.433) | 18.5 (.728) |
| 20 | LY10-DC 20 | 18 (.709) | 21.6 (.850) | 13 (.512) | 20.5 (.807) |
| 22 | LY10-DC 22 | 20 (.787) | 23.6 (.929) | 15 (.590) | 22.5 (.886) |
| 24 | LY10-DC 24 | 22 (.866) | 25.6 (1.008) | 17 (.669) | 24.5 (.964) |
| 26 | LY10-DC 26 | 24 (.945) | 27.6 (1.087) | 19 (.748) | 26.5 (1.043) |
| 28 | LY10-DC 28 | 26 (1.024) | 29.6 (1.165) | 21 (.827) | 28.5 (1.122) |
| 30 | LY10-DC 30 | 28 (1.102) | 31.6 (1.244) | 23 (.906) | 30.5 (1.201) |
| 32 | LY10-DC 32 | 30 (1.181) | 33.6 (1.323) | 25 (.984) | 32.5 (1.280) |
| 34 | LY10-DC 34 | 32 (1.260) | 35.6 (1.402) | 27 (1.063) | 34.5 (1.358) |
| 36 | LY10-DC 36 | 34 (1.338) | 37.6 (1.480) | 29 (1.142) | 36.5 (1.437) |
| 38 | LY10-DC 38 | 36 (1.417) | 39.6 (1.559) | 31 (1.220) | 38.5 (1.516) |
| 40 | LY10-DC 40 | 38 (1.496) | 41.6 (1.638) | 33 (1.299) | 40.5 (1.594) |
| 42 | LY10-DC 42 | 40 (1.575) | 43.6 (1.716) | 35 (1.378) | 42.5 (1.673) |
| 44 | LY10-DC 44 | 42 (1.654) | 45.6 (1.795) | 37 (1.457) | 44.5 (1.752) |

Dimensions in mm (inches).