



Chipsmall Limited consists of a professional team with an average of over 10 year of expertise in the distribution of electronic components. Based in Hongkong, we have already established firm and mutual-benefit business relationships with customers from,Europe,America and south Asia,supplying obsolete and hard-to-find components to meet their specific needs.

With the principle of “Quality Parts,Customers Priority,Honest Operation,and Considerate Service”,our business mainly focus on the distribution of electronic components. Line cards we deal with include Microchip,ALPS,ROHM,Xilinx,Pulse,ON,Everlight and Freescale. Main products comprise IC,Modules,Potentiometer,IC Socket,Relay,Connector.Our parts cover such applications as commercial,industrial, and automotives areas.

We are looking forward to setting up business relationship with you and hope to provide you with the best service and solution. Let us make a better world for our industry!



Contact us

Tel: +86-755-8981 8866 Fax: +86-755-8427 6832

Email & Skype: info@chipsmall.com Web: www.chipsmall.com

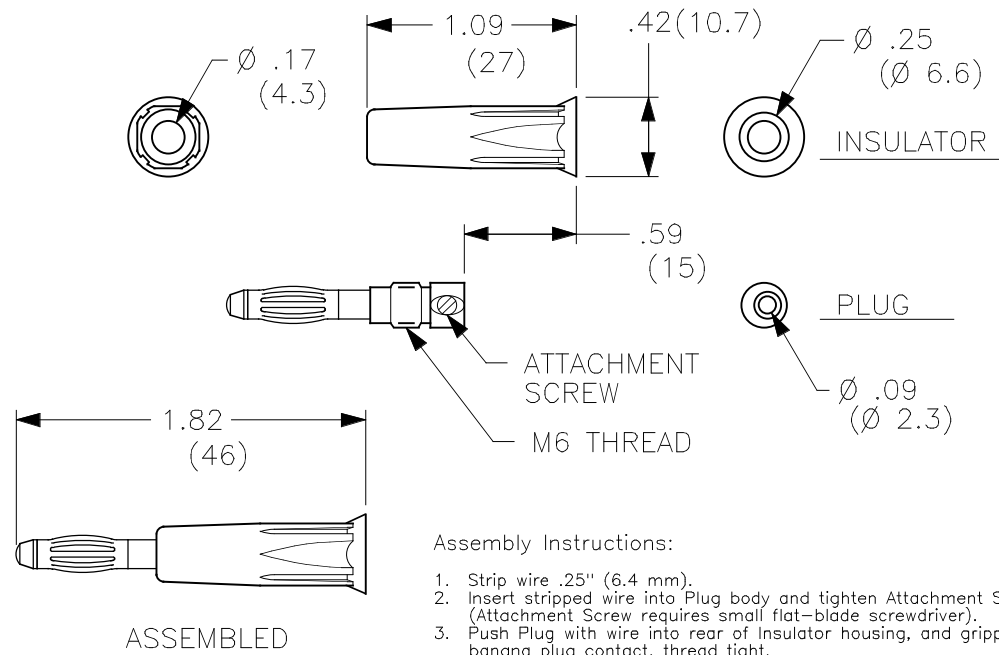
Address: A1208, Overseas Decoration Building, #122 Zhenhua RD., Futian, Shenzhen, China



THIS IS ISSUED IN STRICT CONFIDENCE THAT IT IS NOT USED AS A BASIS FOR MANUFACTURE OR SALE AND THAT IT IS NOT COPIED, REPRINTED OR DISCLOSED TO A THIRD PARTY EITHER WHOLLY OR IN PART WITHOUT THE PRIOR WRITTEN CONSENT OF CAL TEST ELECTRONICS, INC.

REVISIONS			
REV.	DESCRIPTIONS	DATE	APPROVED
—	CLASS A RELEASED	7/11/99	

- DO-IT-YOURSELF (DIY) 4 mm IN-LINE PLUG, SCREW ATTACHMENT.
- SPECIFICATIONS:
INSULATOR BODY: POLYAMIDE (NYLON)
PLUG BODY: BRASS, NICKEL PLATED
SPRING CONTACT: BeCu, NICKEL PLATED
- RATING:
VOLTAGE: 1,200 V AC/DC
CURRENT: 36 A MAX.
TEMPERATURE: -20° C TO +80° C.
- MAXIMUM WIRE SIZES:
CONDUCTOR: \varnothing .090 (12 AWG)
STRIP LENGTH: .25 (6.4)



Assembly Instructions:

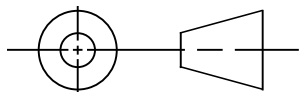
- Strip wire .25" (6.4 mm).
- Insert stripped wire into Plug body and tighten Attachment Screw. (Attachment Screw requires small flat-blade screwdriver).
- Push Plug with wire into rear of Insulator housing, and gripping banana plug contact, thread tight.

PART NUMBER

CT2011-#

- COLOR:
- 0 - BLACK
 - 2 - RED
 - 4 - YELLOW
 - 5 - GREEN
 - 6 - BLUE
 - 9 - WHITE

THIRD ANGLE PROJECTION



UNLESS OTHERWISE SPECIFIED
DIMENSIONS ARE IN INCHES
TOLERANCES ARE:
FRACTIONS DECIMALS
 $\pm 1/32$.XX $\pm .02$
 .XXX $\pm .005$
DO NOT SCALE DRAWING

CONTRACT NO.

Cal Test Electronics

22820 Savi Ranch Parkway
Yorba Linda, CA 92887-4610

APPROVALS

DATE

DRAWN WDH

7/11/99

TITLE

DIY 4 mm PLUG, SCREW

MATERIAL

CHECKED

FINISH

ENGR.

SIZE

CAGE CODE

DWG. NO.

REV.

A

43F45

P201100

—

NEXT ASSY

USED ON

SCALE 1:1

SHEET 1 OF 1

APPLICATION