



Chipsmall Limited consists of a professional team with an average of over 10 year of expertise in the distribution of electronic components. Based in Hongkong, we have already established firm and mutual-benefit business relationships with customers from,Europe,America and south Asia,supplying obsolete and hard-to-find components to meet their specific needs.

With the principle of “Quality Parts,Customers Priority,Honest Operation,and Considerate Service”,our business mainly focus on the distribution of electronic components. Line cards we deal with include Microchip,ALPS,ROHM,Xilinx,Pulse,ON,Everlight and Freescale. Main products comprise IC,Modules,Potentiometer,IC Socket,Relay,Connector.Our parts cover such applications as commercial,industrial, and automotives areas.

We are looking forward to setting up business relationship with you and hope to provide you with the best service and solution. Let us make a better world for our industry!



Contact us

Tel: +86-755-8981 8866 Fax: +86-755-8427 6832

Email & Skype: info@chipsmall.com Web: www.chipsmall.com

Address: A1208, Overseas Decoration Building, #122 Zhenhua RD., Futian, Shenzhen, China



THIS IS ISSUED IN STRICT CONFIDENCE THAT IT IS NOT USED AS A BASIS FOR MANUFACTURE OR SALE AND THAT IT IS NOT COPIED, REPRINTED OR DISCLOSED TO A THIRD PARTY EITHER WHOLLY OR IN PART WITHOUT THE PRIOR WRITTEN CONSENT OF CAL TEST ELECTRONICS, INC.

REVISIONS			
REV.	DESCRIPTIONS	DATE	APPROVED
-	CLASS A RELEASED	7/12/99	
A	NOTE 3: ADDED IEC 61010-031 1,000 V CAT IV & RoHS; REVISED PLUG CONFIGURATION, PAGE 2.	2/7/05	

- 4mm BANANA PLUG LEAD, SHEATHED PLUG TO SHEATHED PLUG, 0.75mm², SILICONE JACKETED WIRE. CE MARK AND CSA LISTED (US AND CANADA).
- SPECIFICATIONS:
 WIRE:
 REINFORCED SILICONE (-60° C TO +180° C)
 195x0.07mm STRANDED BARE COPPER, 0.75mm² CROSS SECTION, 18 AWG, Ø.146±.008 (Ø3.7±0.2mm) O.D.

 INSULATED HOUSING:
 POLYPROPYLENE THERMOPLASTIC, UL94V-0.

 CONTACT:
 4mm, 9 LEAF, BERYLLIUM COPPER, NICKEL PLATED.
 PLUG BODY:
 BRASS, NICKEL PLATED.
- RATING:
 IEC 61010-031 @ 1,000 V CAT IV P2.
 CURRENT: 12 A MAX.
 INTERNAL RESISTANCE: 55 mΩ MAX @ 200 cm LENGTH.
 TEMPERATURE: -25° C TO +80° C.

 CE DECLARATION OF CONFORMITY, LVD
 CONFORMS TO RoHS DIRECTIVE 2002/95/EC.



PART NUMBER

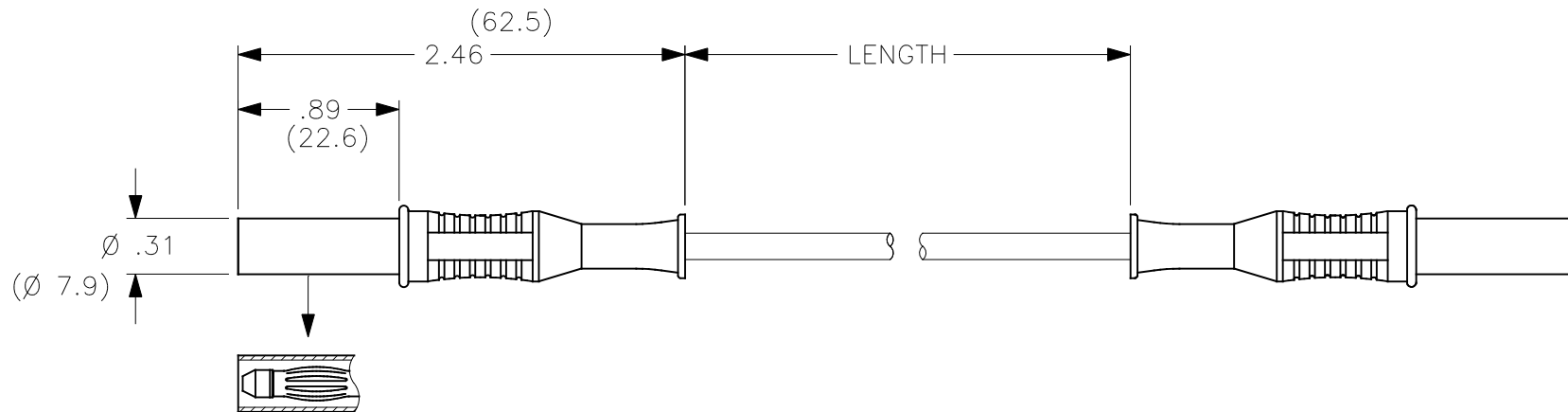
CT2162-L-#

- COLOR:
- 0 - BLACK
 - 2 - RED
 - 4 - YELLOW
 - 5 - GREEN
 - 6 - BLUE
 - 9 - WHITE

LENGTH: (CENTIMETERS)
 STANDARDS: 10, 25, 50, 100, 150, 200

THIRD ANGLE PROJECTION		UNLESS OTHERWISE SPECIFIED DIMENSIONS ARE IN INCHES TOLERANCES ARE: FRACTIONS DECIMALS ± 1/32 .XX ± .02 .XXX ± .005 DO NOT SCALE DRAWING	CONTRACT NO.		Cal Test Electronics 22820 Savi Ranch Parkway Yorba Linda, CA 92887-4610			
			APPROVALS	DATE	TITLE			
		MATERIAL	DRAWN WDH	7/12/99	LEAD, 4mm SHEATHED PLUGS, 0.75mm², SILICONE			
		FINISH	CHECKED		SIZE	CAGE CODE	DWG. NO.	REV.
NEXT ASSY	USED ON		ENGR.		A	43F45	P217600	A
APPLICATION			DESIGN ACTIVITY		SCALE	NONE		SHEET 1 OF 2

THIS IS ISSUED IN STRICT CONFIDENCE THAT IT IS NOT USED AS A BASIS FOR MANUFACTURE OR SALE AND THAT IT IS NOT COPIED, REPRINTED OR DISCLOSED TO A THIRD PARTY EITHER WHOLLY OR IN PART WITHOUT THE PRIOR WRITTEN CONSENT OF CAL TEST ELECTRONICS, INC.



DRAWN		7/12/99		SIZE	CAGE CODE	DWG. NO.	REV.
WDH				A	43F45	P216200	A
CHECKED				SCALE	1:1	SHEET	2