

Chipsmall Limited consists of a professional team with an average of over 10 year of expertise in the distribution of electronic components. Based in Hongkong, we have already established firm and mutual-benefit business relationships with customers from,Europe,America and south Asia,supplying obsolete and hard-to-find components to meet their specific needs.

With the principle of “Quality Parts,Customers Priority,Honest Operation,and Considerate Service”,our business mainly focus on the distribution of electronic components. Line cards we deal with include Microchip,ALPS,ROHM,Xilinx,Pulse,ON,Everlight and Freescale. Main products comprise IC,Modules,Potentiometer,IC Socket,Relay,Connector.Our parts cover such applications as commercial,industrial, and automotives areas.

We are looking forward to setting up business relationship with you and hope to provide you with the best service and solution. Let us make a better world for our industry!



## Contact us

Tel: +86-755-8981 8866 Fax: +86-755-8427 6832

Email & Skype: [info@chipsmall.com](mailto:info@chipsmall.com) Web: [www.chipsmall.com](http://www.chipsmall.com)

Address: A1208, Overseas Decoration Building, #122 Zhenhua RD., Futian, Shenzhen, China

**THIS IS ISSUED IN STRICT CONFIDENCE THAT IT IS NOT USED AS A BASIS FOR MANUFACTURE OR SALE AND THAT IT IS NOT COPIED, REPRINTED OR DISCLOSED TO A THIRD PARTY EITHER WHOLLY OR IN PART WITHOUT THE PRIOR WRITTEN CONSENT OF CAL TEST ELECTRONICS, INC.**

- 4mm SAFETY JACK w/.25 FASTON® TERMINAL.
- SPECIFICATIONS:  
INSULATOR: POLYAMIDE (NYLON).  
CONTACT: BRASS, NICKEL PLATED  
LOCKING NUT: BRASS, NICKEL PLATED
- RATING:  
VOLTAGE: 1,000 V CAT III/600 V CAT IV P2 (IEC61010-031)  
CURRENT: 36 A MAX.  
RESISTANCE: <5 mΩ.  
TEMPERATURE: -20° C TO +80° C.
- MOUNTING HOLE: REF. DIAGRAM.
- INSULATOR THREAD, M12 X 0.75. MAX. TORQUE 1.7 ft-lb (2.3 Nm) AT 20° C.
- MAXIMUM PANEL THICKNESS: .40 (10).
- RECOMMENDED ASSEMBLY TOOL: CT2246A.

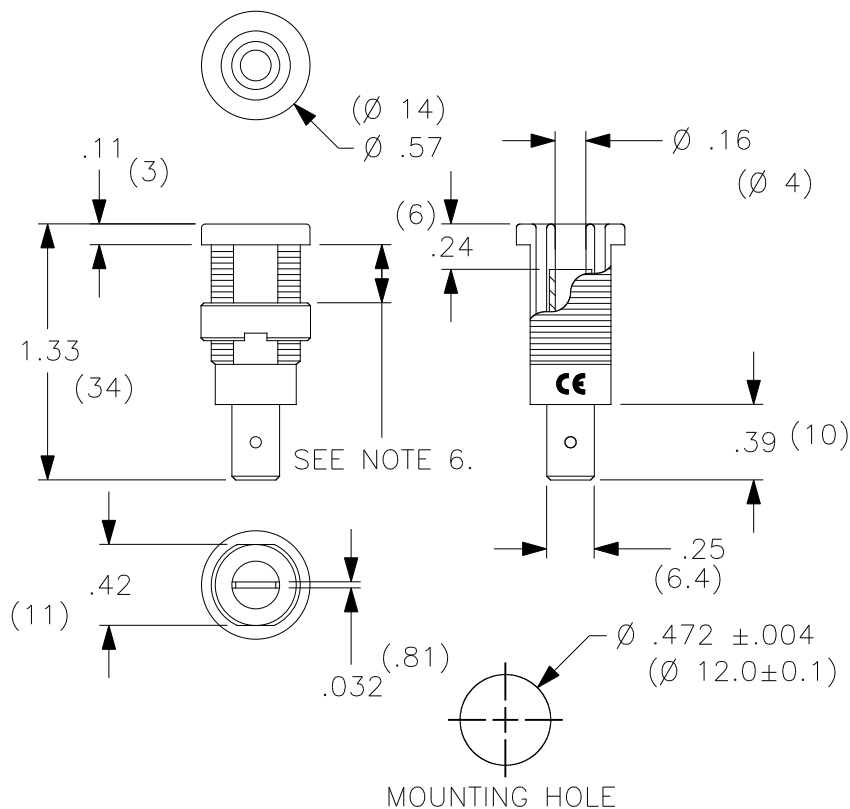
**PART NUMBER**

**CT2238-#**

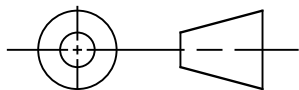
- COLOR:
- 0 - BLACK
  - 1 - BROWN
  - 2 - RED
  - 3 - ORANGE (SPECIAL)
  - 4 - YELLOW
  - 5 - GREEN
  - 6 - BLUE
  - 7 - PURPLE
  - 8 - GRAY
  - 9 - WHITE

CONFORMITY TO RoHS 2002/95/EC

REVISIONS			
REV.	DESCRIPTIONS	DATE	APPROVED
-	CLASS A RELEASED	7/12/99	
A	TITLE, ORANGE DISCONTINUED	9/20/03	
B	NOTE 2, MAT'L WAS POLYACETAL	5/19/06	
C	COLOR ORANGE RE-ADDED AS SPECIAL; REVISED NOTE 5 WITH NUT TORQUE SPECIFICATION; NOTED RoHS COMPLIANCE.	6/2/09	



**THIRD ANGLE PROJECTION**



UNLESS OTHERWISE SPECIFIED DIMENSIONS ARE IN INCHES TOLERANCES ARE:  
FRACTIONS DECIMALS  
± 1/32 .XX ± .02  
          .XXX ± .005  
**DO NOT SCALE DRAWING**

**CONTRACT NO.**

**APPROVALS**

**DATE**

DRAWN WDH

7/12/99

CHECKED

ENGR.

DESIGN ACTIVITY

**Cal Test Electronics**

22820 Savi Ranch Parkway  
Yorba Linda, CA 92887-4610

**TITLE**

**4mm SAFETY JACK, PANEL  
w/.25 FASTON® TERMINAL**

**SIZE  
A**

**CAGE CODE  
43F45**

**DWG. NO.**

**P223800**

**REV.  
C**

**SCALE 1:1**

**SHEET 1 OF 1**

**NEXT ASSY**

**USED ON**

**APPLICATION**