



Chipsmall Limited consists of a professional team with an average of over 10 year of expertise in the distribution of electronic components. Based in Hongkong, we have already established firm and mutual-benefit business relationships with customers from,Europe,America and south Asia,supplying obsolete and hard-to-find components to meet their specific needs.

With the principle of “Quality Parts,Customers Priority,Honest Operation,and Considerate Service”,our business mainly focus on the distribution of electronic components. Line cards we deal with include Microchip,ALPS,ROHM,Xilinx,Pulse,ON,Everlight and Freescale. Main products comprise IC,Modules,Potentiometer,IC Socket,Relay,Connector.Our parts cover such applications as commercial,industrial, and automotives areas.

We are looking forward to setting up business relationship with you and hope to provide you with the best service and solution. Let us make a better world for our industry!



## Contact us

Tel: +86-755-8981 8866 Fax: +86-755-8427 6832

Email & Skype: info@chipsmall.com Web: www.chipsmall.com

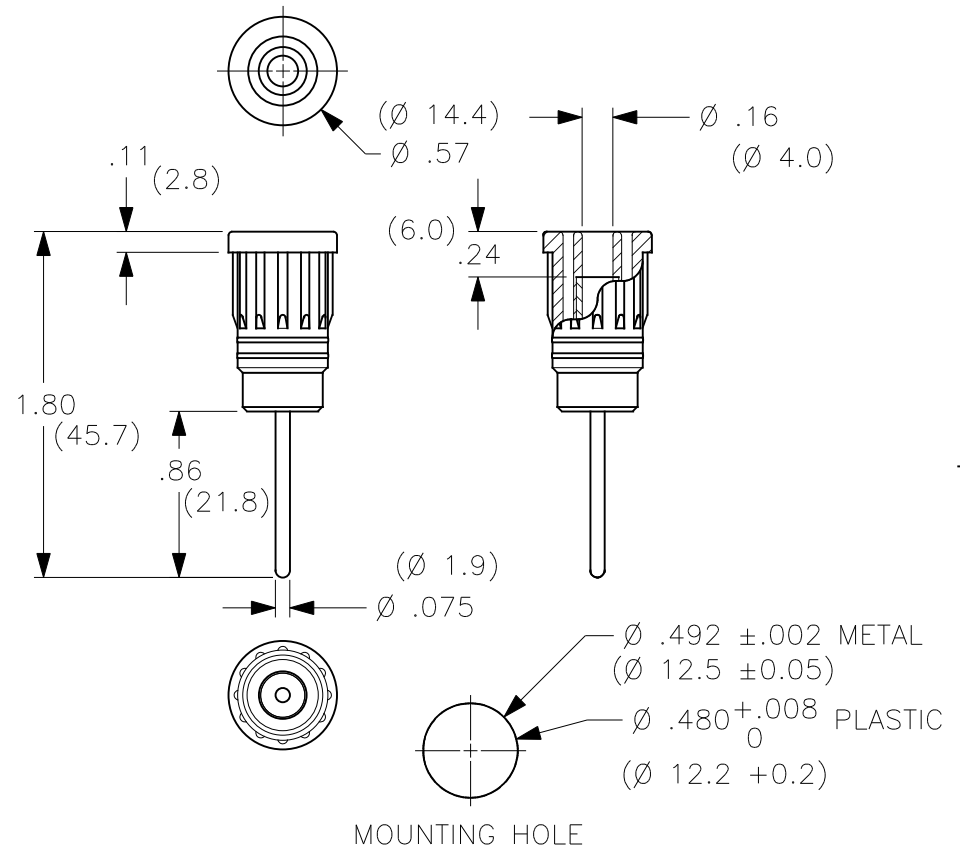
Address: A1208, Overseas Decoration Building, #122 Zhenhua RD., Futian, Shenzhen, China



THIS IS ISSUED IN STRICT CONFIDENCE THAT IT IS NOT USED AS A BASIS FOR MANUFACTURE OR SALE AND THAT IT IS NOT COPIED, REPRINTED OR DISCLOSED TO A THIRD PARTY EITHER WHOLLY OR IN PART WITHOUT THE PRIOR WRITTEN CONSENT OF CAL TEST ELECTRONICS, INC.

- PUSH-IN SAFETY SOCKET w/1.9mm X 21mm SHORT PIN.
- SPECIFICATIONS:  
INSULATOR: POLYAMIDE (NYLON)  
CONTACT: BRASS, NICKEL PLATED
- RATING:  
VOLTAGE: 1,000 V CAT III/600 V CAT IV P2 (IEC 61010-031)  
CURRENT: 36A MAX.  
RESISTANCE: <5mΩ.  
TEMPERATURE: -20° C TO +80° C.
- MOUNTING HOLE: REF. DIAGRAM.
- SUGGESTED PANEL THICKNESS FOR PRESS-FIT SUPPORT:  
PLASTIC: >0.080" (2)  
METAL: >0.062" (1.5)

REVISIONS			
REV.	DESCRIPTIONS	DATE	APPROVED
-	CLASS A RELEASED	7/12/99	
A	BODY CONFIGURATION CHANGE; DIM. 1.80 WAS 1.77; ADDED NOTE 5.	3/1/05	

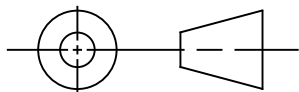


**PART NUMBER**

**CT2913-#**

- COLOR:
- 0 - BLACK
  - 1 - BROWN
  - 2 - RED
  - 3 - ORANGE (CUSTOM)
  - 4 - YELLOW
  - 5 - GREEN
  - 6 - BLUE
  - 7 - PURPLE
  - 8 - GRAY
  - 9 - WHITE

**THIRD ANGLE PROJECTION**



UNLESS OTHERWISE SPECIFIED DIMENSIONS ARE IN INCHES  
TOLERANCES ARE:  
FRACTIONS DECIMALS  
± 1/32 .XX ± .02  
DO NOT SCALE DRAWING .XXX ± .005

**CONTRACT NO.**

**APPROVALS**

DRAWN WDH  
CHECKED

**ENGR.**

**DESIGN ACTIVITY**

**DATE**

7/12/99

**Cal Test Electronics**

22820 Savi Ranch Parkway  
Yorba Linda, CA 92887-4610

**TITLE**

**4mm PUSH-IN SAFETY SOCKET,  
w/1.9mm LONG PIN**

SIZE  
**A**

CAGE CODE  
**43F45**

**DWG. NO.**

**P291300**

REV.  
**A**

SCALE 1:1

SHEET 1 OF 1

NEXT ASSY

USED ON

APPLICATION