



Chipsmall Limited consists of a professional team with an average of over 10 year of expertise in the distribution of electronic components. Based in Hongkong, we have already established firm and mutual-benefit business relationships with customers from,Europe,America and south Asia,supplying obsolete and hard-to-find components to meet their specific needs.

With the principle of “Quality Parts,Customers Priority,Honest Operation,and Considerate Service”,our business mainly focus on the distribution of electronic components. Line cards we deal with include Microchip,ALPS,ROHM,Xilinx,Pulse,ON,Everlight and Freescale. Main products comprise IC,Modules,Potentiometer,IC Socket,Relay,Connector.Our parts cover such applications as commercial,industrial, and automotives areas.

We are looking forward to setting up business relationship with you and hope to provide you with the best service and solution. Let us make a better world for our industry!



## Contact us

Tel: +86-755-8981 8866 Fax: +86-755-8427 6832

Email & Skype: info@chipsmall.com Web: www.chipsmall.com

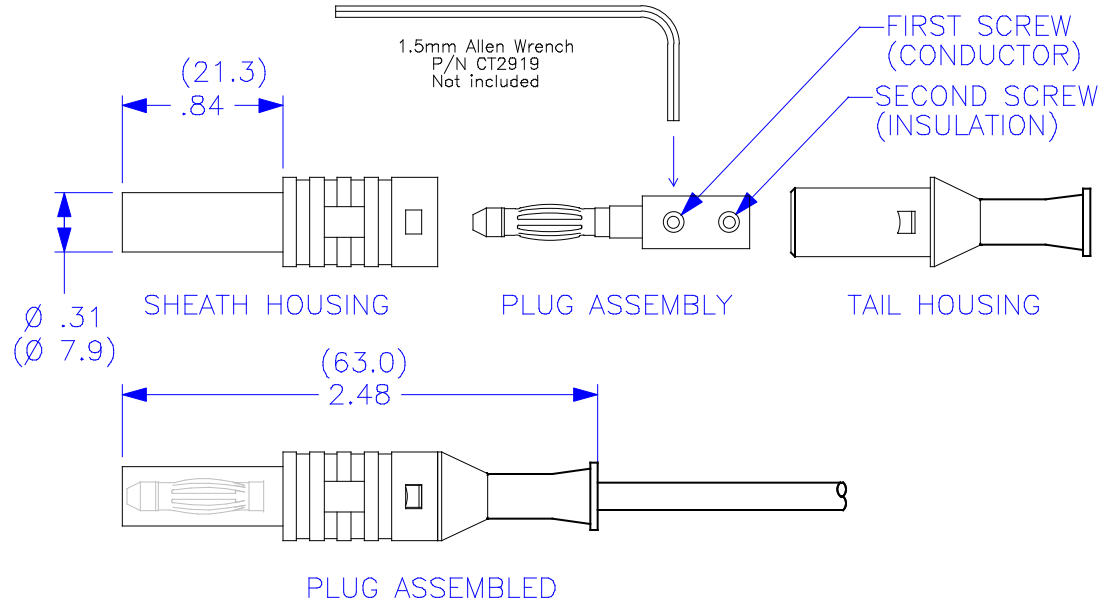
Address: A1208, Overseas Decoration Building, #122 Zhenhua RD., Futian, Shenzhen, China



THIS IS ISSUED IN STRICT CONFIDENCE THAT IT IS NOT USED AS A BASIS FOR MANUFACTURE OR SALE AND THAT IT IS NOT COPIED, REPRINTED OR DISCLOSED TO A THIRD PARTY EITHER WHOLLY OR IN PART WITHOUT THE PRIOR WRITTEN CONSENT OF CAL TEST ELECTRONICS, INC.

REVISIONS			
REV.	DESCRIPTIONS	DATE	APPROVED
-	CLASS A RELEASED	2/11/00	
A	CONFIGURATION CHANGE; ADDRESS	7/9/03	

- DO-IT-YOURSELF (DIY) Ø4mm SHEATH BANANA PLUG, SCREW ATTACHMENT
- SPECIFICATIONS:  
 INSULATOR BODY: POLYPROPYLENE  
 PLUG BODY: BRASS, NICKEL PLATED  
 CONTACT SPRING: BECU, NICKEL PLATED
- RATING:  
 VOLTAGE: 1000V CATIII P2 (per INSTRUCTIONS)  
 REINFORCED INSULATION, CE MARK  
 CURRENT: 36A MAX.  
 INTERNAL RESISTANCE: <10mΩ  
 TEMPERATURE: -20° TO +80° C.
- MAXIMUM WIRE SIZES:  
 CONDUCTOR: Ø.090 (12AWG)  
 INSULATION: Ø.16 (Ø4.0)  
 STRIP LENGTH: .25 (6.4)



**PART NUMBER**

**CT2989-#**

- COLOR:
- 0 - BLACK
  - 2 - RED
  - 4 - YELLOW
  - 5 - GREEN
  - 6 - BLUE
  - 9 - WHITE

Assembly Instructions:

- Slide wire through Tail Housing.
- Strip wire .25" (6.4mm).
- Insert stripped wire into Plug Assembly and tighten First Set-Screw (conductor). Set-Screws use 1.5mm Allen Wrench (Cal Test P/N CT2919).
- Snug Second Set-Screw on wire insulation.
- Push Plug Assembly into Tail Housing.
- Snap Tail Housing assembly into Sheath Housing.

<b>THIRD ANGLE PROJECTION</b>		UNLESS OTHERWISE SPECIFIED DIMENSIONS ARE IN INCHES TOLERANCES ARE: FRACTIONS DECIMALS ± 1/32 .XX ± .02 .XXX ± .005 DO NOT SCALE DRAWING	CONTRACT NO.		Cal Test Electronics		22820 Savi Ranch Parkway Yorba Linda, CA 92887-4610			
			APPROVALS		DATE		TITLE			
MATERIAL		DRAWN WDH		2/10/00		DIY SHEATH PLUG, SCREW ATTACHMENT				
FINISH		CHECKED				SIZE A		CAGE CODE	DWG. NO. P298900	REV. A
NEXT ASSY	USED ON	ENGR.				SCALE 1:1		SHEET 1 OF 1		
APPLICATION		DESIGN ACTIVITY								