



Chipsmall Limited consists of a professional team with an average of over 10 year of expertise in the distribution of electronic components. Based in Hongkong, we have already established firm and mutual-benefit business relationships with customers from,Europe,America and south Asia,supplying obsolete and hard-to-find components to meet their specific needs.

With the principle of "Quality Parts,Customers Priority,Honest Operation,and Considerate Service",our business mainly focus on the distribution of electronic components. Line cards we deal with include Microchip,ALPS,ROHM,Xilinx,Pulse,ON,Everlight and Freescale. Main products comprise IC,Modules,Potentiometer,IC Socket,Relay,Connector.Our parts cover such applications as commercial,industrial, and automotives areas.

We are looking forward to setting up business relationship with you and hope to provide you with the best service and solution. Let us make a better world for our industry!



Contact us

Tel: +86-755-8981 8866 Fax: +86-755-8427 6832

Email & Skype: info@chipsmall.com Web: www.chipsmall.com

Address: A1208, Overseas Decoration Building, #122 Zhenhua RD., Futian, Shenzhen, China



Insulation Piercing Clips

- **CT3044-#**
- **CT3045**



FEATURES:

- Pierce insulation to .130" (3.3 mm)
- Slim, stylish insulated body
- Long reach shaft
- 4mm safety banana jack connection
- 2 colors available

INSULATION PIERCING HOOK CLIP OFFERS USERS A SAFE DMM ACCESSORY FOR UNIQUE TESTING:

Cal Test's Insulation Piercing Clip can reach into tight work area with its insulated shaft and pierce insulated wires as large as .130" (3.3 mm) or as small as 0.06" (1.5 mm) in diameter with its sharp contact piercing tip. The double insulated clip, rated to 30 V AC / 60 V AC and 6A, operates by depressing the large thumb actuator, slipping the wire into the piercing slot and releasing. A 4mm safety banana jack makes for easy connection to sheathed (shrouded) banana plug leads from a

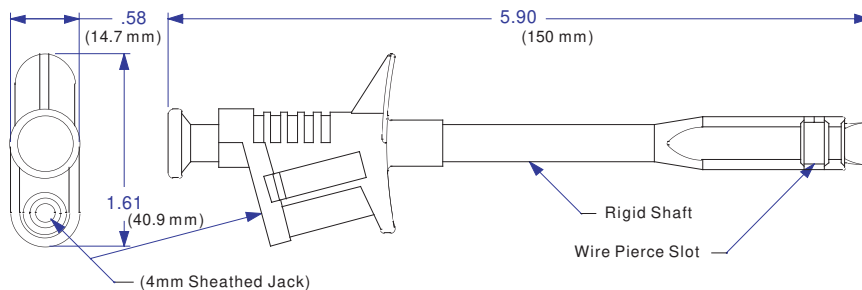
DMM. The gray colored thumb actuator denoted compliance to RoHS standards. Available individually as CT3044-# in 2 colors or convenient Black & Red pair, model CT3045. Applications include electrical, automotive, industrial, and electronics.

For additional product information, cross-reference, or other accessories, visit our web site at www.caltestelectronics.com.

SPECIFICATIONS:

- Voltage Rating - 30 V AC / 60 V DC
- Max Current - 6A
- Resistance - <math><50\text{m}\Omega</math>
- Body - Polypropylene
- Contact - Steel, Nickel Plated
- Working temperature - -20 to +80° C
- CE Mark
- Double/Reinforced Insulation
- RoHS Compliant

OUTLINE DRAWING: (NOT TO SCALE)



Specifications and appearance subject to change without notice
P304400_r01

1 - www.caltestelectronics.com : Digital Multimeter Kits & Accessories>Clips>Insulation Piercing Clip



ORDER INFORMATION:

CT3044-#

Insulation Piercing Clip, Individual

#Colors Available:

-0 Black & -2 Red

Order Example:

CT3044-0 (Clip in Black)

CT3045

Insulation Piercing Clip, Pair

Black & Red

CONTACT INFO:

Toll Free: 888-256-2246 (US Only)

Phone: 714-221-9330

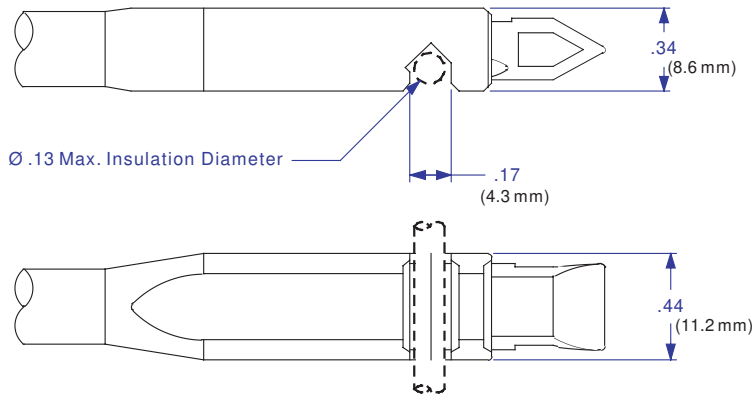
Fax: 714-921-9849

22820 Savi Ranch Pkwy

Yorba Linda, CA 92887-4610 USA

www.caltestelectronics.com

TIP (PIERCING SLOT) DETAILS: (NOT TO SCALE)



WIRE PIERCING SLOT ACTUATED OPEN



CT3045 (see model numbers above)

Copyright © 2007, Cal Test Electronics, Inc. All rights reserved. Information in this publication supersedes that in all previously published material. Trade names referenced are the service marks, trademarks or registered trademarks of their respective companies.

Specifications and appearance subject to change without notice
P304400_r01

2 - www.caltestelectronics.com : Digital Multimeter Kits & Accessories>Clips>Insulation Piercing Clip

