



Chipsmall Limited consists of a professional team with an average of over 10 year of expertise in the distribution of electronic components. Based in Hongkong, we have already established firm and mutual-benefit business relationships with customers from,Europe,America and south Asia,supplying obsolete and hard-to-find components to meet their specific needs.

With the principle of “Quality Parts,Customers Priority,Honest Operation,and Considerate Service”,our business mainly focus on the distribution of electronic components. Line cards we deal with include Microchip,ALPS,ROHM,Xilinx,Pulse,ON,Everlight and Freescale. Main products comprise IC,Modules,Potentiometer,IC Socket,Relay,Connector.Our parts cover such applications as commercial,industrial, and automotives areas.

We are looking forward to setting up business relationship with you and hope to provide you with the best service and solution. Let us make a better world for our industry!



Contact us

Tel: +86-755-8981 8866 Fax: +86-755-8427 6832

Email & Skype: info@chipsmall.com Web: www.chipsmall.com

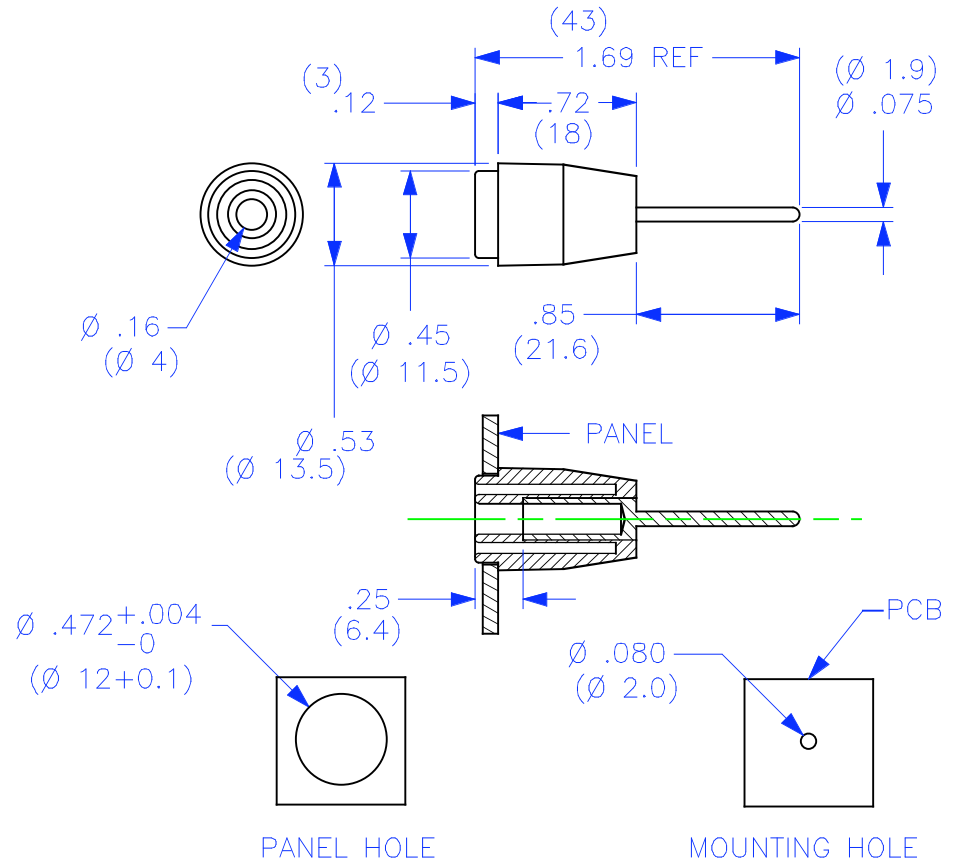
Address: A1208, Overseas Decoration Building, #122 Zhenhua RD., Futian, Shenzhen, China



THIS IS ISSUED IN STRICT CONFIDENCE THAT IT IS NOT USED AS A BASIS FOR MANUFACTURE OR SALE AND THAT IT IS NOT COPIED, REPRINTED OR DISCLOSED TO A THIRD PARTY EITHER WHOLLY OR IN PART WITHOUT THE PRIOR WRITTEN CONSENT OF CAL TEST ELECTRONICS, INC.

REVISIONS			
REV.	DESCRIPTIONS	DATE	APPROVED
—	CLASS A RELEASED	10/13/03	

- SAFETY JACK, REAR MOUNT, VERTICAL PCB, LONG PIN.
- SPECIFICATIONS:
INSULATOR: POLYACETAL
CONTACT: BRASS, NICKEL PLATED
- RATING:
VOLTAGE: 1,000 V CATIII P2 (IEC 61010-031)
CURRENT: 25A MAX.
RESISTANCE: <5mΩ.
TEMPERATURE: -20° C TO +80° C.
- MOUNTING: REF. DIAGRAM
- MAXIMUM PANEL THICKNESS: .12 (3).



PART NUMBER

CT3150-#

- COLOR:
- 0 - BLACK
 - 1 - BROWN
 - 2 - RED
 - 4 - YELLOW
 - 5 - GREEN
 - 6 - BLUE
 - 7 - PURPLE
 - 8 - GRAY
 - 9 - WHITE

THIRD ANGLE PROJECTION		UNLESS OTHERWISE SPECIFIED DIMENSIONS ARE IN INCHES TOLERANCES ARE: FRACTIONS DECIMALS ± 1/32 .XX ± .02 DO NOT SCALE DRAWING .XXX ± .005	CONTRACT NO.		Cal Test Electronics 22820 Savi Ranch Parkway Yorba Linda, CA 92887-4610			
			APPROVALS	DATE	TITLE			
NEXT ASSY		MATERIAL	DRAWN	10/13/03	4mm SAFETY JACK, VERTICAL PCB MOUNT, LONG PIN			
USED ON		FINISH	CHECKED		SIZE	CAGE CODE	DWG. NO.	REV.
APPLICATION			ENGR.		A	43F45	P315000	—
			DESIGN ACTIVITY		SCALE		SHEET	
					1:1		1 OF 1	