



Chipsmall Limited consists of a professional team with an average of over 10 year of expertise in the distribution of electronic components. Based in Hongkong, we have already established firm and mutual-benefit business relationships with customers from,Europe,America and south Asia,supplying obsolete and hard-to-find components to meet their specific needs.

With the principle of “Quality Parts,Customers Priority,Honest Operation,and Considerate Service”,our business mainly focus on the distribution of electronic components. Line cards we deal with include Microchip,ALPS,ROHM,Xilinx,Pulse,ON,Everlight and Freescale. Main products comprise IC,Modules,Potentiometer,IC Socket,Relay,Connector.Our parts cover such applications as commercial,industrial, and automotives areas.

We are looking forward to setting up business relationship with you and hope to provide you with the best service and solution. Let us make a better world for our industry!



Contact us

Tel: +86-755-8981 8866 Fax: +86-755-8427 6832

Email & Skype: info@chipsmall.com Web: www.chipsmall.com

Address: A1208, Overseas Decoration Building, #122 Zhenhua RD., Futian, Shenzhen, China



Extra-Large Insulated Alligator Clip – *Elephant Clip*

CT3251-#



FEATURES:

- Large 1.26" (32mm) opening
- Slim, stylish body
- 1000V CAT III / 600V CAT IV
- 36A current rating
- Ergonomic finger stops
- 4mm safety banana jack connection
- 10 colors available

THE ELEPHANT CLIP OFFERS USERS ONE OF THE LARGEST OPENING INSULATED ALLIGATOR CLIPS ON THE MARKET:

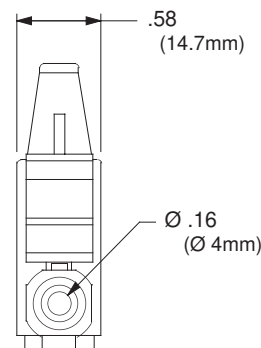
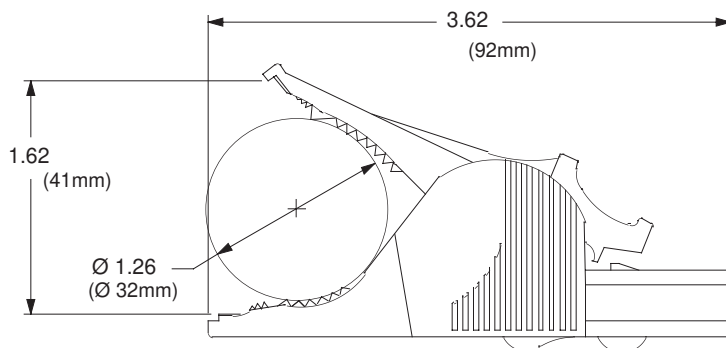
The CT3251-# Extra-Large Insulated Alligator Clip - *Elephant Clip* - can grip large contacts up to 1.26" (32mm) in diameter yet accommodates flat, hexagonal or round wires as small as .010" (0.25mm). Even with this large span, the clip is easy to handle with its narrow design, only .58" wide, and ergonomic finger stops. The double insulated clip is

IEC61010-031 rated to 1,000V CAT III and 600V CAT IV, and 36A. A 4mm safety banana jack makes for easy connection to standard sheathed (shrouded) banana plug leads. The gray upper body color denoted compliance to RoHS requirements. Applications include electrical, automotive, industrial, and high power electronics.

SPECIFICATIONS:

- Voltage Rating - IEC61010-031 1,000V CAT III / 600V CAT IV
- Max Current - 36A
- Resistance - <20mΩ
- Insulator - Polypropylene
- Contact - Steel, Nickel Plated
- Working temperature - -20 to +90° C

OUTLINE DRAWING: (NOT TO SCALE)



Specifications and appearance subject to change without notice
P325100 8/2/05

1 - www.caltestelectronics.com : Digital Multimeter Kits & Accessories>Clips, Modular, IEC61010>Extra-Large Insulated Alligator Clips.



ORDER INFORMATION:

CT3251-#

Extra-Large Insulated Alligator Clip

#Colors Available:

-0 Black, -1 Brown, -2 Red, -4 Yellow,

-5 Green, -6 Blue, -7 Violet, -8 Grey,

-9 White & -4/5 Yellow/Green

Order Example:

CT3251-0 (Clip in Black)

CONTACT INFO:

Toll Free: 888-256-2246 (US)

Phone: 714-221-9330

Fax: 714-921-9849

22820 Savi Ranch Pkwy

Yorba Linda, CA 92887-4610 USA

www.caltestelectronics.com

Copyright © 2005, Cal Test Electronics, Inc.
All rights reserved. Information in this publication supersedes that in all previously published material. Trade names referenced are the service marks, trademarks or registered trademarks of their respective companies.

Specifications and appearance subject to change without notice
P325100 8/2/05

2 - www.caltestelectronics.com : Digital Multimeter Kits & Accessories>Clips, Modular,
IEC61010>Extra-Large Insulated Alligator Clips.

