



Chipsmall Limited consists of a professional team with an average of over 10 year of expertise in the distribution of electronic components. Based in Hongkong, we have already established firm and mutual-benefit business relationships with customers from,Europe,America and south Asia,supplying obsolete and hard-to-find components to meet their specific needs.

With the principle of “Quality Parts,Customers Priority,Honest Operation,and Considerate Service”,our business mainly focus on the distribution of electronic components. Line cards we deal with include Microchip,ALPS,ROHM,Xilinx,Pulse,ON,Everlight and Freescale. Main products comprise IC,Modules,Potentiometer,IC Socket,Relay,Connector.Our parts cover such applications as commercial,industrial, and automotives areas.

We are looking forward to setting up business relationship with you and hope to provide you with the best service and solution. Let us make a better world for our industry!



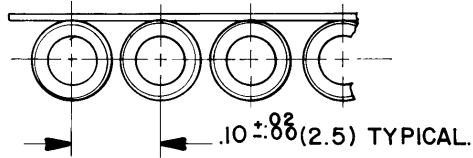
## Contact us

Tel: +86-755-8981 8866 Fax: +86-755-8427 6832

Email & Skype: info@chipsmall.com Web: www.chipsmall.com

Address: A1208, Overseas Decoration Building, #122 Zhenhua RD., Futian, Shenzhen, China





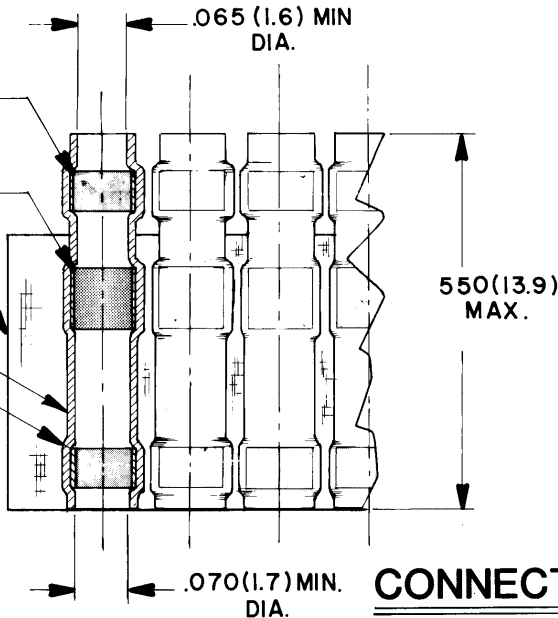
MELTABLE INSERT  
(WIRE END BLUE)

SOLDER PREFORM  
(WITH FLUX)

CARRIER STRIP

INSULATION SLEEVE

MELTABLE INSERT  
(WAFER CONNECTOR END YELLOW)



.070 (1.7) MIN.  
DIA.

NOTES:

1. MATERIALS

- I-A INSULATION SLEEVE; HEAT SHRINKABLE, RADIATION CROSSLINKED MODIFIED POLYVINYLIDENE FLUORIDE, TRANSPARENT BLUE.
- I-B SOLDER PREFORM; SOLDER PREFORM WITH FLUX TYPE: Sn63 RMAP PER QQ-S-571.
- I-C MELTABLE INSERTS; LOW OUTGASSING IMMERSION RESISTANT THERMOPLASTIC.
- I-D CARRIER STRIP; ADHESIVE COATED HIGH TEMPERATURE TAPE.

2. A CTA-0035 ASSEMBLY CONSISTS OF 10 EACH CTA-0034 SOLDER SLEEVE WIRE TERMINATORS.

3. THESE SLEEVES ARE DESIGNED TO ATTACH TO "20 THROUGH "26 GAGE TIN PLATED OR SILVER PLATED CONDUCTORS TO TERMINALS OF A **Raychem** MTC100 SERIES WAFER.

CONNECTOR SPECIFICATION CONTROL DRAWING

REVISIONS				
ZONE	LTR	DESCRIPTION	DATE	APPROVED
	N/C	INITIAL RELEASE DCO# 00805	10/26/79	BJA

UNLESS OTHERWISE SPECIFIED DIMENSIONS ARE IN INCHES  
BRACKETED DIMENSIONS ( ) ARE METRIC AND TOLERANCES ARE:  
.xxx: ± \_\_\_\_\_ ( )  
.xx: ± \_\_\_\_\_ ( )  
Δ: ± \_\_\_\_\_

DRAWN	SA. LOPEZ	5/19/79
CHECKED	JB	9-13-79
APPROVED	<i>Blair</i>	9-13-79
APPROVED	<i>BJA</i>	10/24/79
APPROVED		

**Raychem**  
RAYCHEM CORPORATION  
300 CONSTITUTION DRIVE  
MENLO PARK, CALIFORNIA 94025

TITLE SOLDER PAK ASSEMBLY DOUBLE SEAL, 100 CENTERS - 10 SLEEVES  
TEMP RATING 125 °C(Sn63)MTC100 SERIES

If this document is printed it becomes uncontrolled.  
Check with the web for latest revision.

DO NOT SCALE THIS DRAWING

PROJECT	6448 - 7055	SIZE	B	CODE IDENT	NO. 06090	DWG. NO.	CTA-0035	
						WEIGHT	SHEET	I OF I