



Chipsmall Limited consists of a professional team with an average of over 10 year of expertise in the distribution of electronic components. Based in Hongkong, we have already established firm and mutual-benefit business relationships with customers from,Europe,America and south Asia,supplying obsolete and hard-to-find components to meet their specific needs.

With the principle of "Quality Parts,Customers Priority,Honest Operation,and Considerate Service",our business mainly focus on the distribution of electronic components. Line cards we deal with include Microchip,ALPS,ROHM,Xilinx,Pulse,ON,Everlight and Freescale. Main products comprise IC,Modules,Potentiometer,IC Socket,Relay,Connector.Our parts cover such applications as commercial,industrial, and automotives areas.

We are looking forward to setting up business relationship with you and hope to provide you with the best service and solution. Let us make a better world for our industry!



Contact us

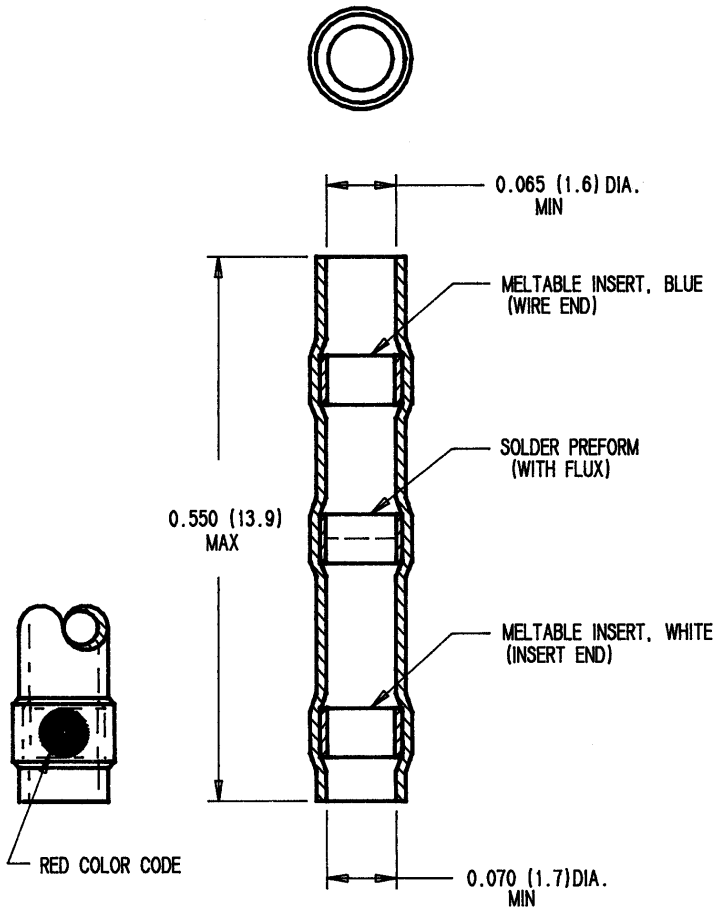
Tel: +86-755-8981 8866 Fax: +86-755-8427 6832

Email & Skype: info@chipsmall.com Web: www.chipsmall.com

Address: A1208, Overseas Decoration Building, #122 Zhenhua RD., Futian, Shenzhen, China



REVISIONS		DATE	APPROVED
LTR	DESCRIPTION		
B	REVISED PER ECN #1-6562	5-22-86	93



← **FIGURE 1**

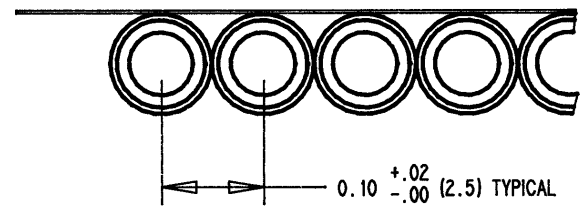
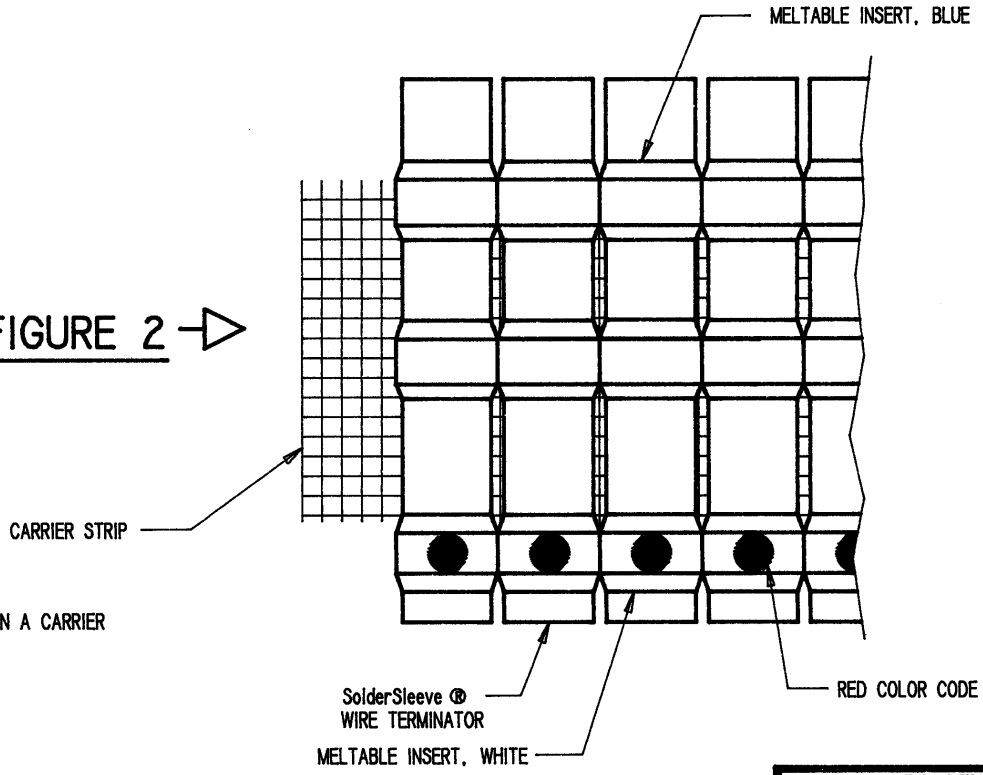


FIGURE 2 →



5. CTA-0099 IS SUPPLIED ON A CARRIER STRIP PER FIG. 2. STANDARD PACKAGING QUANTITY IS 1000 PIECES ON A CARRIER STRIP. OTHER QUANTITIES SUPPLIED PER SPECIFICATION.
4. WEIGHT (MAX): 0.00013 LBS. [0.06 GR.] (INDIVIDUAL PIECE).
3. CONFIGURATION CONTROL PER ES 71001 APPLIES.
2. THIS SLEEVE IS DESIGNED TO ATTACH 20 THROUGH 22 GAGE TIN OR SILVER PLATED CONDUCTORS TO TERMINALS OF A **Raychem** MTC100 SERIES INSERT.

1. MATERIAL:
 - A. INSULATION SLEEVE: HEAT SHRINKABLE, RADIATION CROSSLINKED MODIFIED POLYVINYLIDENE FLUORIDE, TRANSPARENT BLUE.
 - B. SOLDER PREFORM: SOLDER TYPE: Sn63
FLUX TYPE: RA
PER QQ-S-571
 - C. MELTABLE INSERTS: LOW OUTGASSING IMMERSION RESISTANT THERMOPLASTIC.

NOTES:

If this document is printed it becomes uncontrolled.
Check with the web for latest revision.

PRE-PRODUCTION

SPECIFICATION CONTROL DRAWING

© Raychem Corporation 1986
V.L.G.L.VCTA\0099SCD.DRW

DRAWN	LUTTICH	1-30-86	Raychem RAYCHEM CORPORATION 300 CONSTITUTION DRIVE MENLO PARK, CALIFORNIA 94025
CHECKED	J.B.	5-1-86	
APPROVED	J.B.	5-1-86	
APPROVED	J.C.	5-1-86	
UNLESS OTHERWISE SPECIFIED DIMENSIONS ARE IN INCHES. METRIC DIMENSIONS ARE IN PARENTHESES			TITLE SolderSleeve® WIRE TERMINATOR FOR 20-22 GAGE WIRE SIZE TEMPERATURE RATING 125° C MTC100 SERIES
DO NOT SCALE THIS DRAWING		SIZE C	CODE IDENT. NO. 06090
		DWG. NO. CTA-0099	WEIGHT
			SHEET 1 OF 1

(CONFIGURATION CONTROL)