



Chipsmall Limited consists of a professional team with an average of over 10 year of expertise in the distribution of electronic components. Based in Hongkong, we have already established firm and mutual-benefit business relationships with customers from,Europe,America and south Asia,supplying obsolete and hard-to-find components to meet their specific needs.

With the principle of “Quality Parts,Customers Priority,Honest Operation,and Considerate Service”,our business mainly focus on the distribution of electronic components. Line cards we deal with include Microchip,ALPS,ROHM,Xilinx,Pulse,ON,Everlight and Freescale. Main products comprise IC,Modules,Potentiometer,IC Socket,Relay,Connector.Our parts cover such applications as commercial,industrial, and automotives areas.

We are looking forward to setting up business relationship with you and hope to provide you with the best service and solution. Let us make a better world for our industry!



## Contact us

Tel: +86-755-8981 8866 Fax: +86-755-8427 6832

Email & Skype: info@chipsmall.com Web: www.chipsmall.com

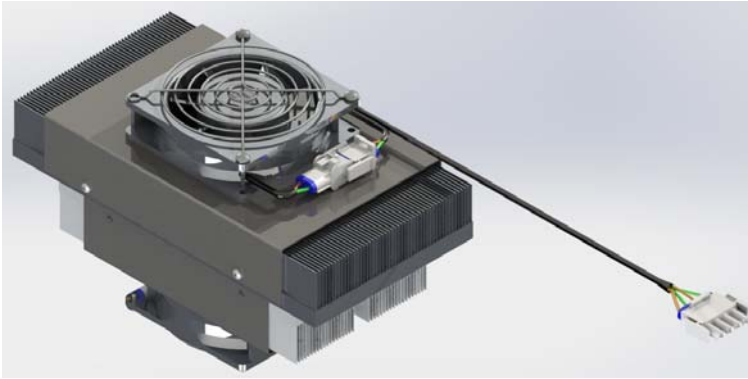
Address: A1208, Overseas Decoration Building, #122 Zhenhua RD., Futian, Shenzhen, China



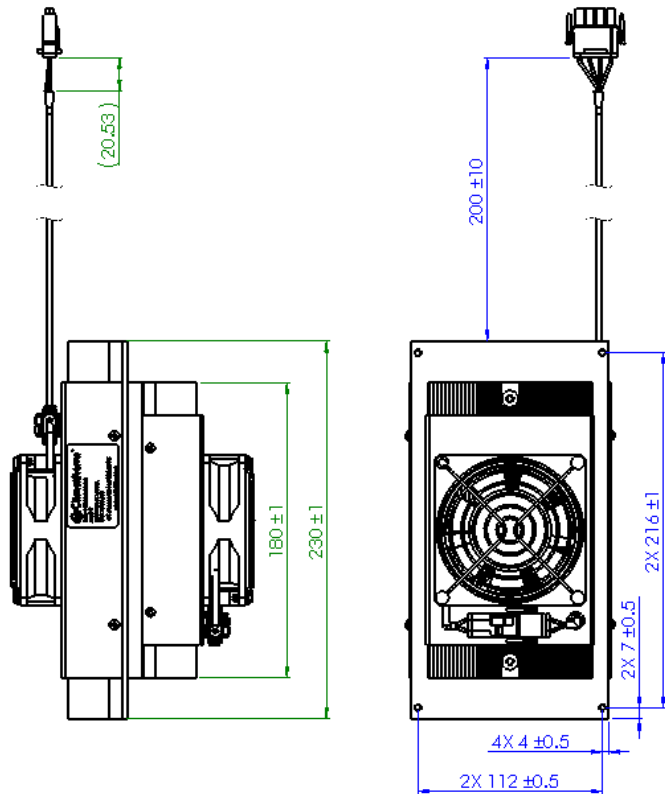


## Climatherm 230 Series

AIR TO AIR TE EXCHANGER STANDARD PRODUCT  
RoHS EU Compliant



### MECHANICAL CHARACTERISTICS



### TYPICAL PERFORMANCE VALUES

Specifications	
Weight (kg)	2.2
Operating Temp	-10°C to 60°C

Electrical Connections		
Color	PIN #	Description
White	1	TEC “+”
Blue	2	TEC “-”
Red	3	Fans “+”
Black	4	Fans “-”

Connectors	
Plug	Tyco P/N 480702-0
Socket	Tyco P/N 480703-0
PIN Plug	Tyco P/N 350547-1
PIN Socket	Tyco P/N 350550-1

Available Configurations					
Model Number	Voltage	Current	Cooling Power	External Fan Rating	Curve
	(nom/max) V	(nom/max) A	0 dT W	dB-A	
CTA230-0001-01/-02	12/14	7.5/9	72	42.5	A
CTA230-0001-03/-04	24/28	3.75/4.5	72	42.5	A

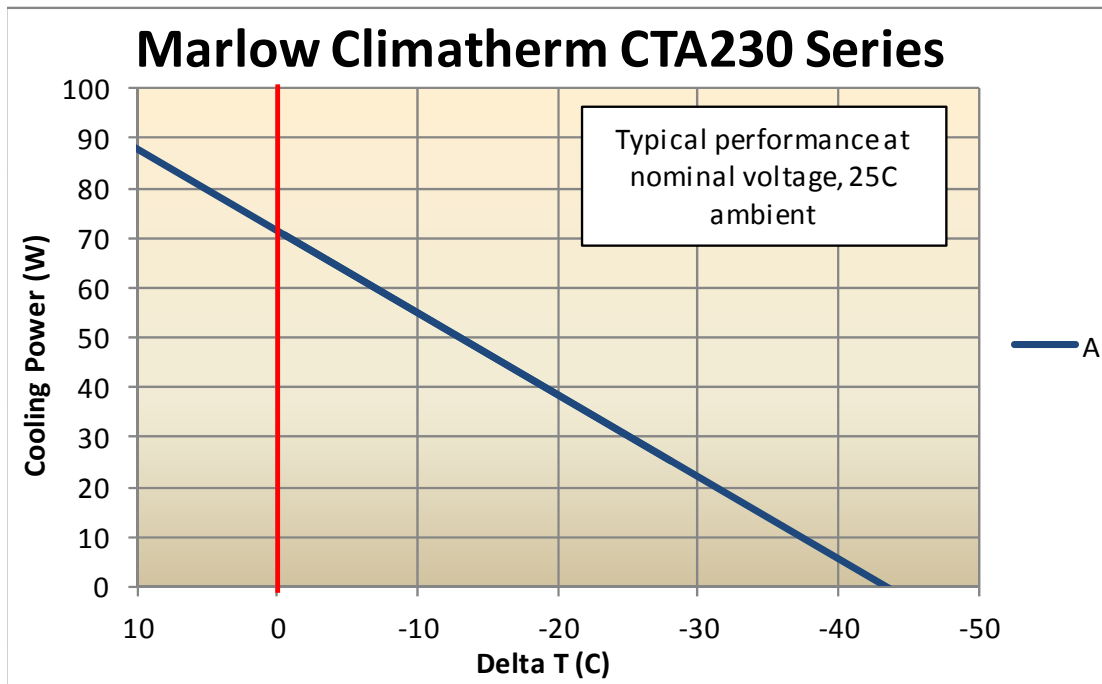
IP55 RATED FANS

### ORDERING OPTIONS

Model Number	Description
CTA230-0001-01	12V, Hot Side Wiring
CTA230-0001-02	12V, Cold Side Wiring
CTA230-0001-03	24V, Hot Side Wiring
CTA230-0001-04	24V, Cold Side Wiring

### AVAILABLE MODIFICATIONS

For information regarding additional ordering options available, please contact a Marlow engineering representative.



For performance information, consult one of our Applications Engineers.

**Installation**

Recommended mounting methods: Attach through provided mounting holes with M5 hardware. Mounting template included with product.

**Operation Cautions**

For maximum reliability, storage and operation below 60°C in a non-condensing environment is recommended.

**WARNING:** This product contains a chemical known to the state of California to cause cancer, birth defects, or other reproductive harm.

**CONTACT US:**

For customer support or general questions please contact a local office below or consult our website for distributor information.

Marlow Industries, Inc.  
 10451 Vista Park Road  
 Dallas Texas 75238-1645  
 214-340-4900 (tel)  
 214-341-5212 (fax)  
 www.marlow.com

Marlow Industries Europe GmbH  
 Brunnenweg 19-21  
 64331 Weiterstadt  
 Germany  
 Tel.: +49 (0) 6150 5439 - 403  
 Fax: +49 (0) 6150 5439 - 400  
 info@marlow-europe.eu

II-VI Japan Inc.  
 WBG Marive East 17F  
 2-6 Nakase, Mihama-ku  
 Chiba-Shi, Chiba 261-7117  
 Japan  
 81 43 297 2693 (tel)  
 81 43 297 3003 (fax)  
 center@ii-vi.co.jp  
 www.ii-vi.co.jp

II-VI Singapore Pte., Ltd.  
 Blk. 5012, Techplace II  
 #04-07 & 05-07/12, Ang Mo Kio Ave. 5  
 Singapore 569876  
 (65) 6481 8215 (tel)  
 (65) 6481 8702 (fax)  
 info@ii-vi.com.sg  
 www.ii-vi.com.sg

Marlow Industries China, II-VI  
 Technologies Beijing  
 A subsidiary of II-VI Incorporated  
 Rm 202, 1# Lize 2nd Middle Road  
 Wangjing, Chaoyang District  
 Beijing 100102 China  
 010-64398226 ext 105 (tel)  
 010-64399315 (fax)  
 info@iivibj.com