



Chipsmall Limited consists of a professional team with an average of over 10 year of expertise in the distribution of electronic components. Based in Hongkong, we have already established firm and mutual-benefit business relationships with customers from,Europe,America and south Asia,supplying obsolete and hard-to-find components to meet their specific needs.

With the principle of “Quality Parts,Customers Priority,Honest Operation,and Considerate Service”,our business mainly focus on the distribution of electronic components. Line cards we deal with include Microchip,ALPS,ROHM,Xilinx,Pulse,ON,Everlight and Freescale. Main products comprise IC,Modules,Potentiometer,IC Socket,Relay,Connector.Our parts cover such applications as commercial,industrial, and automotives areas.

We are looking forward to setting up business relationship with you and hope to provide you with the best service and solution. Let us make a better world for our industry!



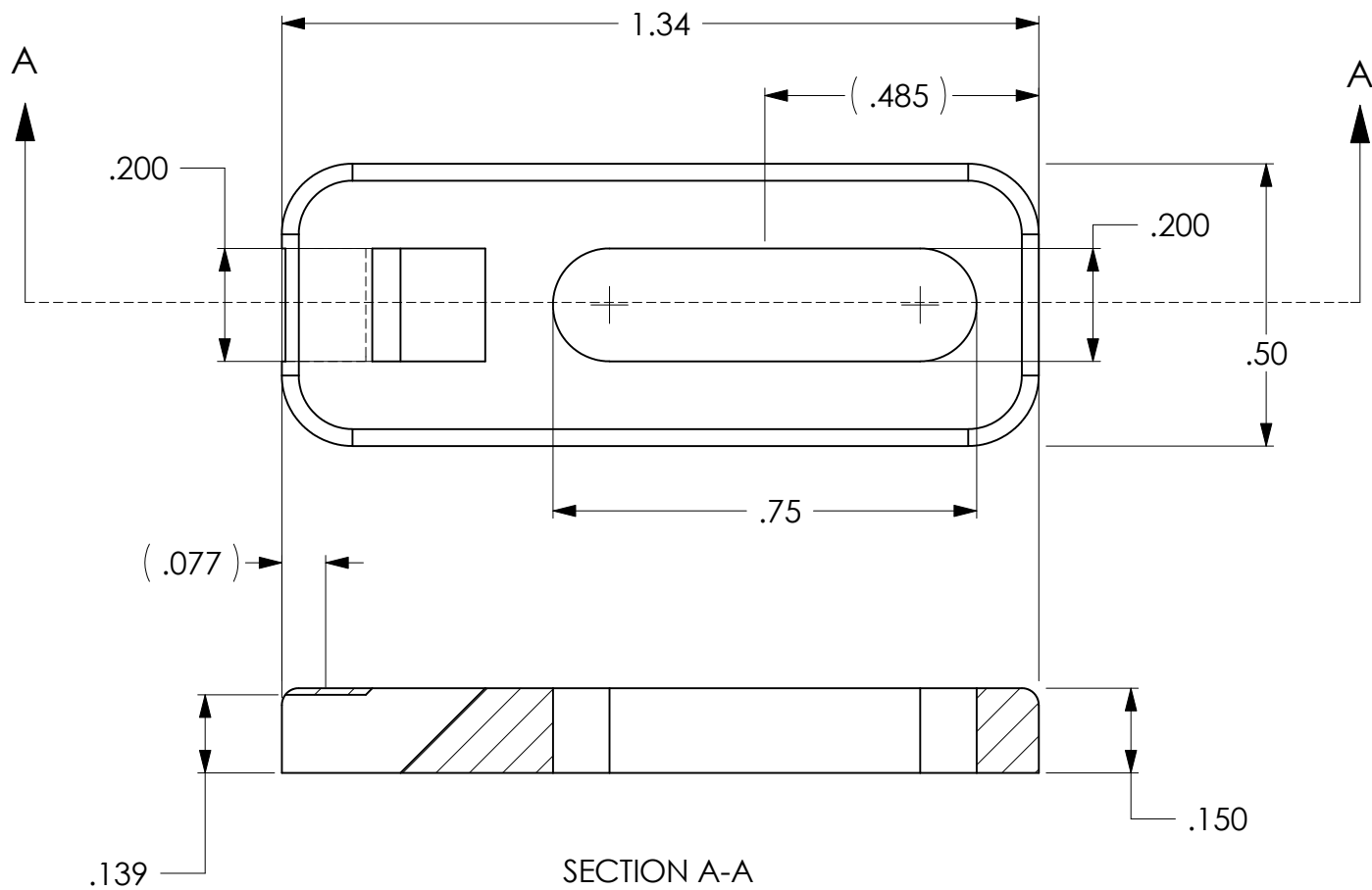
Contact us

Tel: +86-755-8981 8866 Fax: +86-755-8427 6832

Email & Skype: info@chipsmall.com Web: www.chipsmall.com

Address: A1208, Overseas Decoration Building, #122 Zhenhua RD., Futian, Shenzhen, China





SECTION A-A

PART NUMBER DESCRIPTION

CTAP1_ COLOR(CONTACT FACTORY FOR AVAIL. COLOR)

NOTE:
 1) ANCHOR PLATE USED WITH T18 THRU T50 CABLE TIES
 2) MOUNT WITH #10 SCREW

HellermannTyton[®]
Cable Management Products

ALL PROPRIETARY RIGHTS IN THE SUBJECT MATTER SHOWN ON THIS DRAWING ARE EXCLUSIVE PROPERTY OF HELLERMANN TYTON

name	date	city, state

REVISION

D level	01
AW by	AAM
date	01/11/01
ECN #	002337
part level	A

DIMENSIONS

TOLERANCES
 UNLESS OTHERWISE SPECIFIED

.XXXX =	
.XXX = ±.010	
.XX = ±.03	
.X =	
< =	

units inches

PART

number	CTAP1_	phase	PRODUCTION
name	CABLE TIE ANCHOR PLATE		
material	NYLON 6/6		

DRAWING

format	version M	AH	CAD	SW	scale	3:1
computer file number	MT2010001CST_01		previous number	810011		
drawn	AL	checked		approved		
	06/05/81					
type	CUSTOMER			sheet 1 of 1		
number	MT2010001CST					