

Chipsmall Limited consists of a professional team with an average of over 10 year of expertise in the distribution of electronic components. Based in Hongkong, we have already established firm and mutual-benefit business relationships with customers from,Europe,America and south Asia,supplying obsolete and hard-to-find components to meet their specific needs.

With the principle of “Quality Parts,Customers Priority,Honest Operation,and Considerate Service”,our business mainly focus on the distribution of electronic components. Line cards we deal with include Microchip,ALPS,ROHM,Xilinx,Pulse,ON,Everlight and Freescale. Main products comprise IC,Modules,Potentiometer,IC Socket,Relay,Connector.Our parts cover such applications as commercial,industrial, and automotives areas.

We are looking forward to setting up business relationship with you and hope to provide you with the best service and solution. Let us make a better world for our industry!



## Contact us

Tel: +86-755-8981 8866 Fax: +86-755-8427 6832

Email & Skype: [info@chipsmall.com](mailto:info@chipsmall.com) Web: [www.chipsmall.com](http://www.chipsmall.com)

Address: A1208, Overseas Decoration Building, #122 Zhenhua RD., Futian, Shenzhen, China



**Rating:**  
3 to 15A, 125, 250VAC, 50VDC

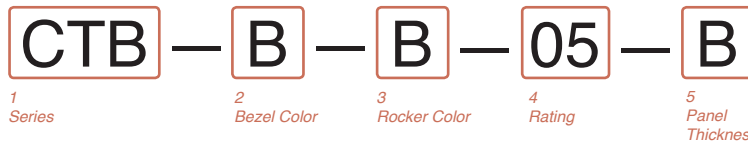
**Approvals:**  
UL, CUL, VDE, CE

**Interrupting capacity:**  
1000 amps

**Insulation Resistance:**  
100M ohms

**Applications:**  
Household Appliances  
Transportation  
Marine  
Power Strips  
Medical Equipment  
Audio Visual Equipment  
Power Supplies  
Exercise Equipment  
ROHS Compliant

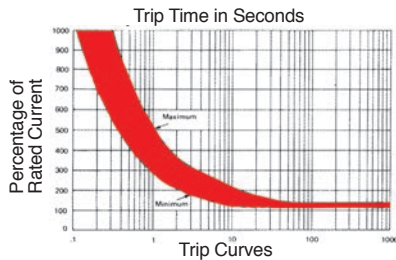
**Ordering Scheme**



<p><b>1 SERIES</b> CTB</p>	<p><b>4 RATING</b></p> <table border="0"> <tr> <td>03</td><td>3 amp</td> <td>08</td><td>8 amp</td> <td>14</td><td>14 amp</td> </tr> <tr> <td>04</td><td>4 amp</td> <td>09</td><td>9 amp</td> <td>15</td><td>15 amp</td> </tr> <tr> <td>05</td><td>5 amp</td> <td>10</td><td>10 amp</td> <td></td><td></td> </tr> <tr> <td>06</td><td>6 amp</td> <td>12</td><td>12 amp</td> <td></td><td></td> </tr> <tr> <td>07</td><td>7 amp</td> <td>13</td><td>13 amp</td> <td></td><td></td> </tr> </table>	03	3 amp	08	8 amp	14	14 amp	04	4 amp	09	9 amp	15	15 amp	05	5 amp	10	10 amp			06	6 amp	12	12 amp			07	7 amp	13	13 amp		
03	3 amp	08	8 amp	14	14 amp																										
04	4 amp	09	9 amp	15	15 amp																										
05	5 amp	10	10 amp																												
06	6 amp	12	12 amp																												
07	7 amp	13	13 amp																												
<p><b>2 BEZEL COLOR<sup>1</sup></b> B Black</p>	<p><b>5 PANEL THICKNESS</b> blank fits standard thickness of .032 - .062 B fits .070 - .110 panel thickness</p>																														
<p><b>3 ROCKER COLOR<sup>1</sup></b> B Black</p>																															

Notes:  
1 Additional colors available. Consult factory.

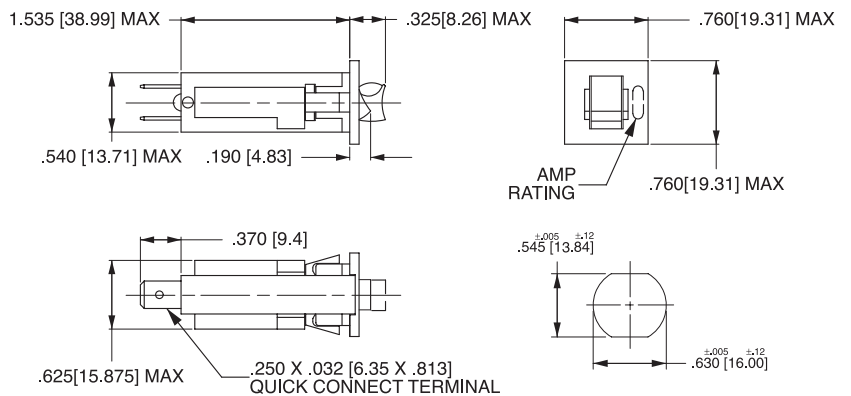
**Time Delay**



CORRECTION FACTOR <sup>1</sup>	
0°C	x .67
10°C	x .72
15°C	x .83
18°C	x .87
25°C	x 1.00
32°C	x 1.05
40°C	x 1.18
50°C	x 1.33
60°C	x 1.67

Notes:  
1 To adjust the breaker rating for ambient temperature, multiply the breaker rating by the factor. (ex: 5A rating x .850 = 4.25A. Select 4A rating.)

**Dimensional Specifications: in. [mm]**



RECOMMENDED PANEL THICKNESS:  
.032 - .062 [.81-1.57]

Notes:  
All dimensions are in inches [millimeters]. Tolerance  $\pm 0.005$  [.127] unless otherwise specified. Breaker must hold 100% of rated current and must trip at 150% and above, within the time limits shown in curve. Trip times specified at 25° ambient with no preloading.

\*Manufacturer reserves the right to change product specification without prior notice.