



Chipsmall Limited consists of a professional team with an average of over 10 year of expertise in the distribution of electronic components. Based in Hongkong, we have already established firm and mutual-benefit business relationships with customers from,Europe,America and south Asia,supplying obsolete and hard-to-find components to meet their specific needs.

With the principle of "Quality Parts,Customers Priority,Honest Operation,and Considerate Service",our business mainly focus on the distribution of electronic components. Line cards we deal with include Microchip,ALPS,ROHM,Xilinx,Pulse,ON,Everlight and Freescale. Main products comprise IC,Modules,Potentiometer,IC Socket,Relay,Connector.Our parts cover such applications as commercial,industrial, and automotives areas.

We are looking forward to setting up business relationship with you and hope to provide you with the best service and solution. Let us make a better world for our industry!



Contact us

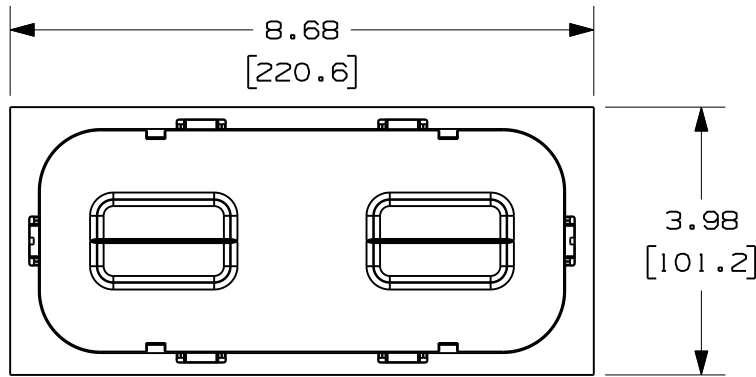
Tel: +86-755-8981 8866 Fax: +86-755-8427 6832

Email & Skype: info@chipsmall.com Web: www.chipsmall.com

Address: A1208, Overseas Decoration Building, #122 Zhenhua RD., Futian, Shenzhen, China



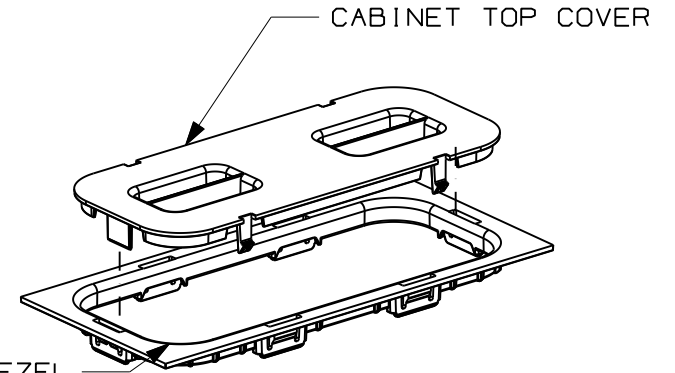
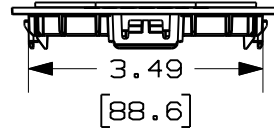
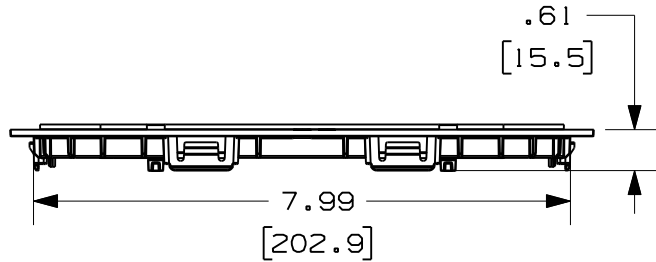
THIS COPY IS PROVIDED ON A RESTRICTED BASIS AND IS NOT TO BE USED IN ANY WAY DETRIMENTAL TO THE INTERESTS OF PANDUIT CORP.



PANDUIT PART NUMBER	WEIGHT
CTCC3X8	4.26 G / EACH .01 LBS / EACH

NOTES:

1. PANDUIT PART NUMBER CTCC3X8 INCLUDES:
ONE (1) CABINET TOP COVER.
ONE (1) CABLE PROTECTION BEZEL.
2. FOR USE WITH BOTH Net-SERV™ AND Net-Access™ CABINETS.
3. USED TO SEAL OFF 3"X8" CABINET OPENINGS AFTER KNOCK-OUTS HAVE BEEN REMOVED. CAN ALSO BE USED TO ADD THE CTG3X8 OR CTIDT15 TO OPENINGS WHERE KNOCK-OUTS HAVE BEEN REMOVED.
4. DIMENSIONS IN PARENTEHESES ARE METRIC.
5. WITH CABINET TOP COVER REMOVED, CABLE PROTECTION BEZEL OPENING IS 3.085 X 7.585 (22.85 in²).



CABLE PROTECTION BEZEL

CAD FILENAME/LAYERS 09D043AD_DC/00A CTCC3X8

PANDUIT CORP. TINLEY PARK, ILLINOIS
CABINET TOP COVER AND CABLE PROTECTION BEZEL (CTCC3X8)
 CUSTOMER DRAWING

UNLESS OTHERWISE SPECIFIED, DIMENSIONAL TOLERANCES ARE:
 (.X) ± (.XXX) ±
 (.XX) ±.03 | .8 | ANGLES ±

UNLESS OTHERWISE SPECIFIED, ALL DIMENSIONS ARE GIVEN IN INCHES, THIRD ANGLE PROJECTION.

DRAWN BY JAHA

MAT'L:

SCALE NONE

DATE 01-13-10

ABS

DRAWING NO.

DWG

CHK'D EB

09D043AD-DC

SIZE

REV	DATE	BY	CHK	DESCRIPTION	ECN	R	CUST	SUP
R	1-13-10	JAHA	EB	RELEASED TO PRODUCTION	09D043AD	RN	RN	