



Chipsmall Limited consists of a professional team with an average of over 10 year of expertise in the distribution of electronic components. Based in Hongkong, we have already established firm and mutual-benefit business relationships with customers from,Europe,America and south Asia,supplying obsolete and hard-to-find components to meet their specific needs.

With the principle of “Quality Parts,Customers Priority,Honest Operation,and Considerate Service”,our business mainly focus on the distribution of electronic components. Line cards we deal with include Microchip,ALPS,ROHM,Xilinx,Pulse,ON,Everlight and Freescale. Main products comprise IC,Modules,Potentiometer,IC Socket,Relay,Connector.Our parts cover such applications as commercial,industrial, and automotives areas.

We are looking forward to setting up business relationship with you and hope to provide you with the best service and solution. Let us make a better world for our industry!



Contact us

Tel: +86-755-8981 8866 Fax: +86-755-8427 6832

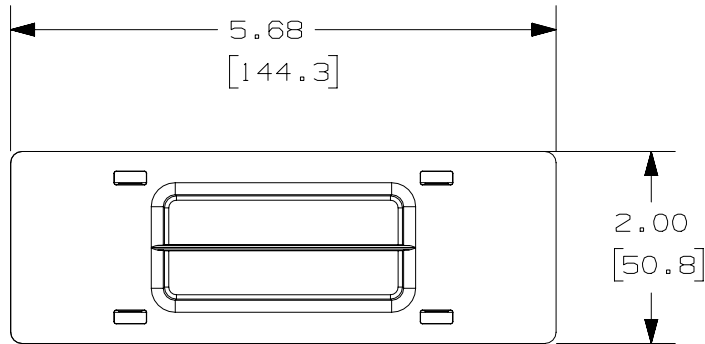
Email & Skype: info@chipsmall.com Web: www.chipsmall.com

Address: A1208, Overseas Decoration Building, #122 Zhenhua RD., Futian, Shenzhen, China



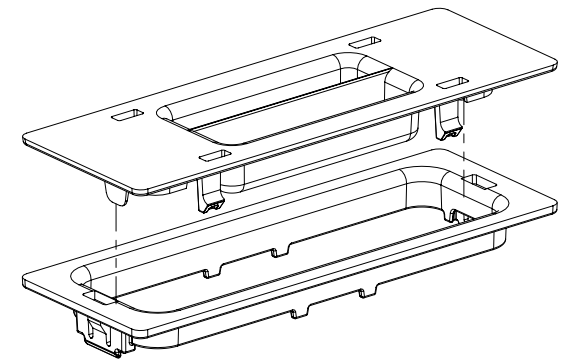
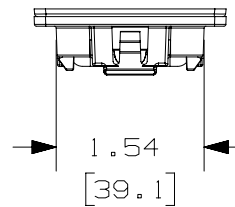
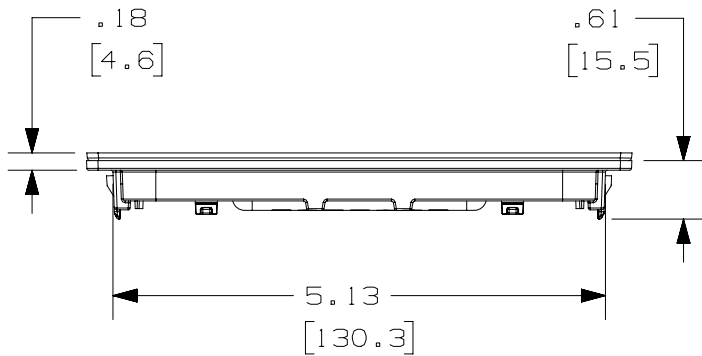
THIS COPY IS PROVIDED ON A RESTRICTED BASIS AND IS NOT TO BE USED IN ANY WAY DETRIMENTAL TO THE INTERESTS OF PANDUIT CORP.

PANDUIT PART NUMBER	WEIGHT
CTCN1X5	33.8 G / EACH .075 LBS / EACH



NOTES:

- PANDUIT PART NUMBER CTCN1X5 INCLUDES:
ONE (1) CABINET TOP COVER.
ONE (1) CABLE PROTECTION BEZEL.
- FOR USE WITH CABINET 2.0 NET-ACCESS CABINETS.
- USED TO SEAL OFF 1" X 5" CABINET OPENINGS AFTER KNOCK-OUTS HAVE BEEN REMOVED. CAN ALSO BE USED TO ADD THE CTGN1X5 TO OPENINGS WHERE KNOCK-OUTS HAVE BEEN REMOVED.
- DIMENSIONS IN PARENTEHESES ARE METRIC.
- WITH CABINET TOP COVER REMOVED, CABLE PROTECTION BEZEL OPENING IS 1.35 X 4.75 (15.63 in²).



C

REV	DATE	BY	CHK	APR	DESCRIPTION	ECN
3	5-06-16	MES	DWR		GEOMETRY UPDATE	V09000UR/01
2	03-08-13	SSP	DWR	RN	RELEASED TO PRODUCTION C. REMOVED PRIOR NOTE(S)	12D287AA-DC

TITLE 1.5" X 5" CABINET TOP COVER AND CABLE PROTECTION BEZEL (CTCN1X5) CUSTOMER DRAWING	
ITEM REVISION NAME 12D287AA/05	PANDUIT TM
DATASET FILE NAME 12D287AA_DC/05B CTCN1X5	
UNLESS OTHERWISE SPECIFIED, DIMENSIONAL TOLERANCES ARE: IN (mm)	
.X ± .XX ± .03 [.8]	.XXX ± ANGLES ±
THIRD ANGLE PROJECTION	
DRAWN BY SSP	DATE 08-21-12
CHK DWR	SCALE NONE
MATERIAL: ABS	
DRAWING NUMBER: 12D287AA-DC	
SHT 1 OF 1	
SIZE A	

2

1

D10100DA/12