



Chipsmall Limited consists of a professional team with an average of over 10 year of expertise in the distribution of electronic components. Based in Hongkong, we have already established firm and mutual-benefit business relationships with customers from,Europe,America and south Asia,supplying obsolete and hard-to-find components to meet their specific needs.

With the principle of “Quality Parts,Customers Priority,Honest Operation,and Considerate Service”,our business mainly focus on the distribution of electronic components. Line cards we deal with include Microchip,ALPS,ROHM,Xilinx,Pulse,ON,Everlight and Freescale. Main products comprise IC,Modules,Potentiometer,IC Socket,Relay,Connector.Our parts cover such applications as commercial,industrial, and automotives areas.

We are looking forward to setting up business relationship with you and hope to provide you with the best service and solution. Let us make a better world for our industry!



Contact us

Tel: +86-755-8981 8866 Fax: +86-755-8427 6832

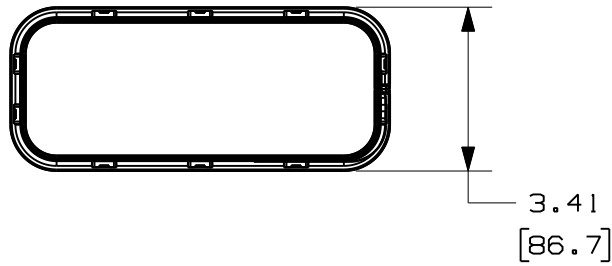
Email & Skype: info@chipsmall.com Web: www.chipsmall.com

Address: A1208, Overseas Decoration Building, #122 Zhenhua RD., Futian, Shenzhen, China



THIS COPY IS PROVIDED ON A RESTRICTED BASIS AND IS NOT TO BE USED IN ANY WAY DETRIMENTAL TO THE INTERESTS OF PANDUIT CORP.

PANDUIT PART NUMBER	WEIGHT
CTG3X8	.20 LBS/EACH 90.7 GRAMS/EACH



NOTES:

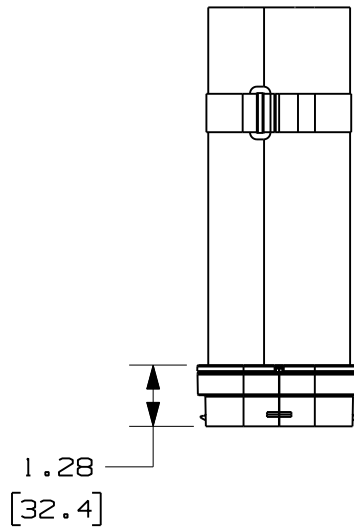
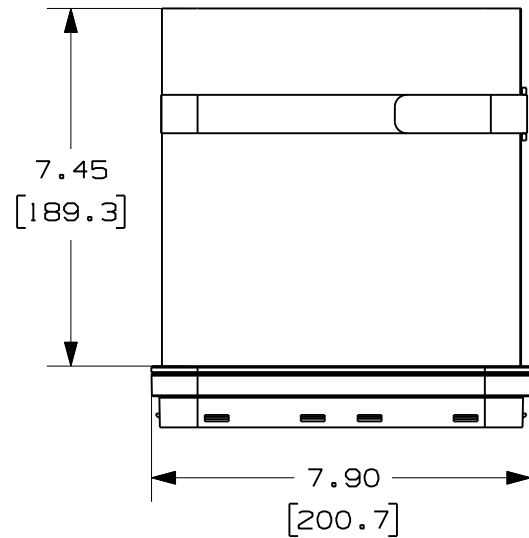
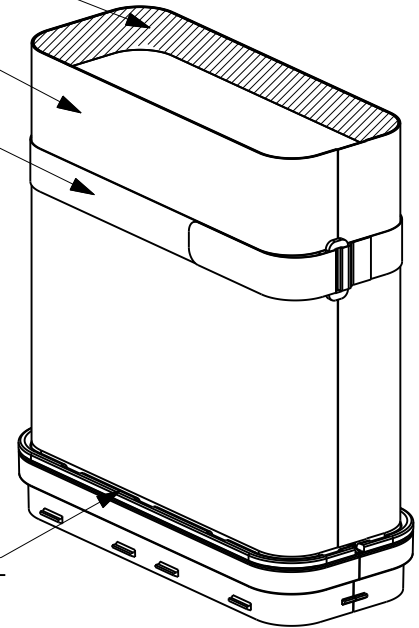
1. FOR USE WITH BOTH Net-SERV AND Net-Access CABINETS
2. USED TO SEAL OFF 3" X 8" CABINET TOP OPENINGS WHEN CABLES ARE ROUTED THROUGH THE TOP OF THE CABINET.
3. FINISH COLOR: BLACK
4. DIMENSION IN PARENTHESES ARE IN METRIC

HOOK AND LOOP SEALING STRIP

AIRTIGHT FABRIC SLEEVE

ULTRA CINCH TIE

SNAP-IN BEZEL
(FOR 3" X 8" CABINET TOP OPENING)



CAD FILENAME/LAYERS 09D043AK_DC/00A CTG3X8

PANDUIT CORP. TINLEY PARK, ILLINOIS

COOL BOOT CABINET TOP
AIR SEALING FITTING (CTG3X8)
CUSTOMER DRAWING

UNLESS OTHERWISE SPECIFIED,
DIMENSIONAL TOLERANCES ARE:
(.X) ± .03 (.XXX) ± .05
(.XX) ± .03 (.8) ANGLES ±

UNLESS OTHERWISE SPECIFIED,
ALL DIMENSIONS ARE GIVEN
IN INCHES, THIRD ANGLE PROJECTION.

DRAWN BY JAHA

MAT'L:

SCALE NONE

DATE 01/26/10

SEE NOTE ABOVE

DRAWING NO.

DWG
A
SIZE

REV	DATE	BY	CHK	DESCRIPTION	ECN	R	CUST	SUP
R	1-26-10	JAHA	SL	RELEASED TO PRODUCTION	09D043AK-DC	RN	RN	

09D043AK-DC