



Chipsmall Limited consists of a professional team with an average of over 10 year of expertise in the distribution of electronic components. Based in Hongkong, we have already established firm and mutual-benefit business relationships with customers from,Europe,America and south Asia,supplying obsolete and hard-to-find components to meet their specific needs.

With the principle of "Quality Parts,Customers Priority,Honest Operation,and Considerate Service",our business mainly focus on the distribution of electronic components. Line cards we deal with include Microchip,ALPS,ROHM,Xilinx,Pulse,ON,Everlight and Freescale. Main products comprise IC,Modules,Potentiometer,IC Socket,Relay,Connector.Our parts cover such applications as commercial,industrial, and automotives areas.

We are looking forward to setting up business relationship with you and hope to provide you with the best service and solution. Let us make a better world for our industry!



## Contact us

Tel: +86-755-8981 8866 Fax: +86-755-8427 6832

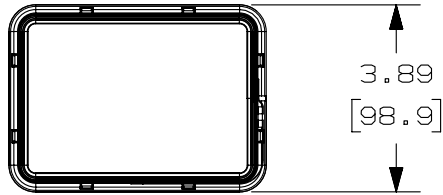
Email & Skype: info@chipsmall.com Web: www.chipsmall.com

Address: A1208, Overseas Decoration Building, #122 Zhenhua RD., Futian, Shenzhen, China



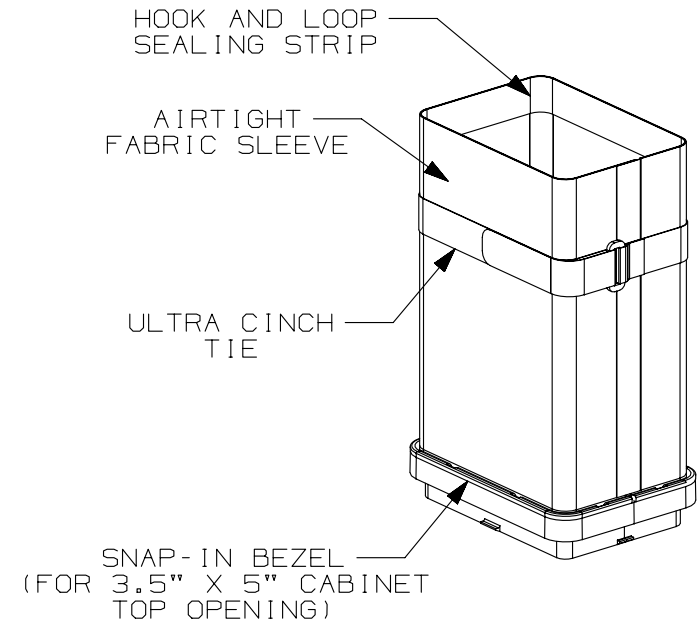
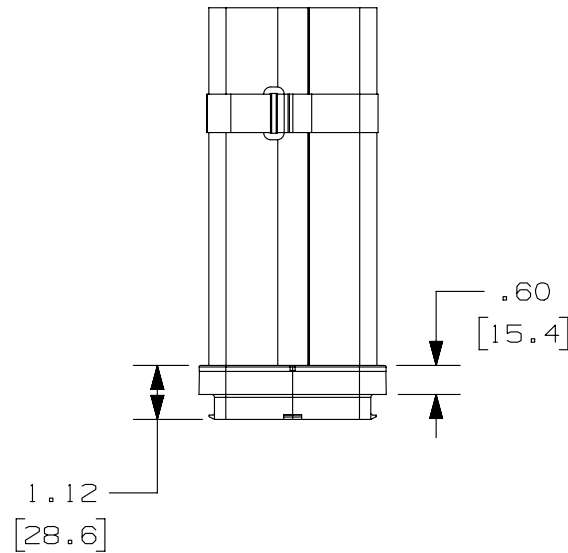
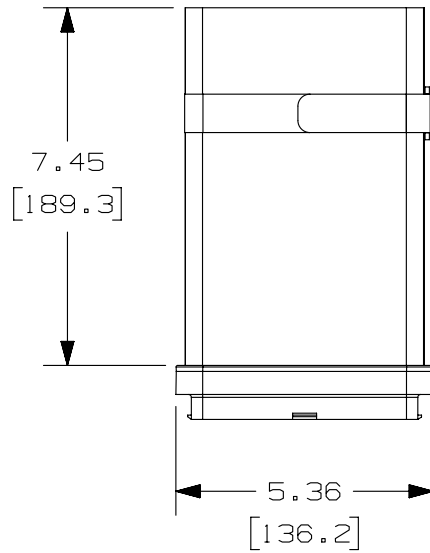
THIS COPY IS PROVIDED ON A RESTRICTED BASIS AND IS NOT TO BE USED IN ANY WAY DETRIMENTAL TO THE INTERESTS OF PANDUIT CORP.

PANDUIT PART NUMBER	WEIGHT
CTGN3X5	.20 LBS/EACH 89.5 GRAMS/EACH



**NOTES:**

- FOR USE WITH NET-ACCESS CABINETS
- USED TO SEAL OFF 3.5" X 5" CABINET TOP OPENINGS WHEN CABLES ARE ROUTED THROUGH THE TOP OF THE CABINET.
- REQUIRES THAT PANDUIT PART NUMBER CTCN3X5B TO BE INSTALLED INTO 3.5" X 5" CABINET TOP OPENING PRIOR TO CTGN3X5 INSTALLATION.
- FINISH COLOR: BLACK
- DIMENSION IN PARENTHESES ARE IN METRIC



REV	DATE	BY	CHK	APR	DESCRIPTION	ECN
1	02-27-13	SSP	DWR	RN	RELEASED TO PRODUCTION	12D288AA-DC
R	08-20-12	SSP	DWR		DRAWING RELEASED	

TITLE <b>3.5" X 5" COOL BOOT CABINET TOP AIR SEALING FITTING (CTGN3X5)</b> CUSTOMER DRAWING	
ITEM REVISION NAME 12D288AA/00	<b>PANDUIT</b> <sup>TM</sup>
DATASET FILE NAME 12D288AA_DC/00B CTGN3X5	
UNLESS OTHERWISE SPECIFIED, DIMENSIONAL TOLERANCES ARE: IN [ mm ]	
.X ± .XX ± .03 [ .8 ]	.XXX ± ANGLES ±
THIRD ANGLE PROJECTION	
DRAWN BY SSP	DATE 08-20-12
CHK DWR	SCALE NONE
DRAWING NUMBER: 12D288AA-DC	
SHT 1 OF 1	
SIZE A	

D10100DA/12

2

1

2

1