



Chipsmall Limited consists of a professional team with an average of over 10 year of expertise in the distribution of electronic components. Based in Hongkong, we have already established firm and mutual-benefit business relationships with customers from,Europe,America and south Asia,supplying obsolete and hard-to-find components to meet their specific needs.

With the principle of “Quality Parts,Customers Priority,Honest Operation,and Considerate Service”,our business mainly focus on the distribution of electronic components. Line cards we deal with include Microchip,ALPS,ROHM,Xilinx,Pulse,ON,Everlight and Freescale. Main products comprise IC,Modules,Potentiometer,IC Socket,Relay,Connector.Our parts cover such applications as commercial,industrial, and automotives areas.

We are looking forward to setting up business relationship with you and hope to provide you with the best service and solution. Let us make a better world for our industry!



Contact us

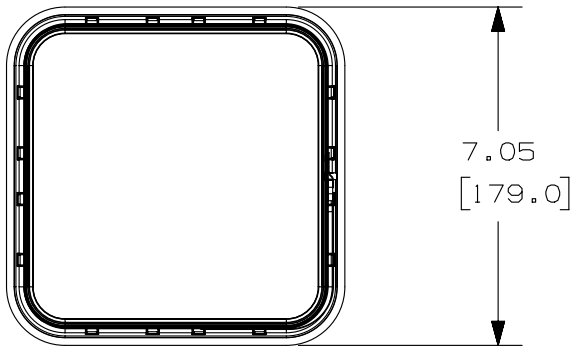
Tel: +86-755-8981 8866 Fax: +86-755-8427 6832

Email & Skype: info@chipsmall.com Web: www.chipsmall.com

Address: A1208, Overseas Decoration Building, #122 Zhenhua RD., Futian, Shenzhen, China



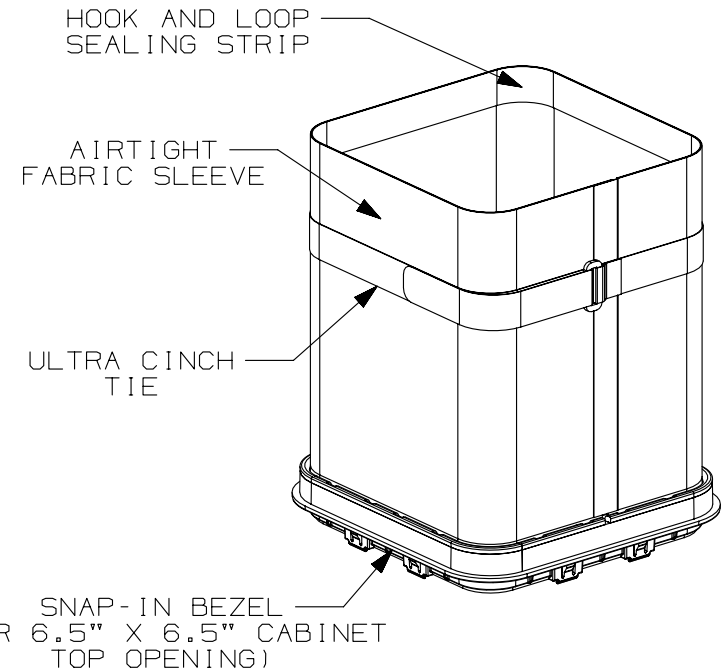
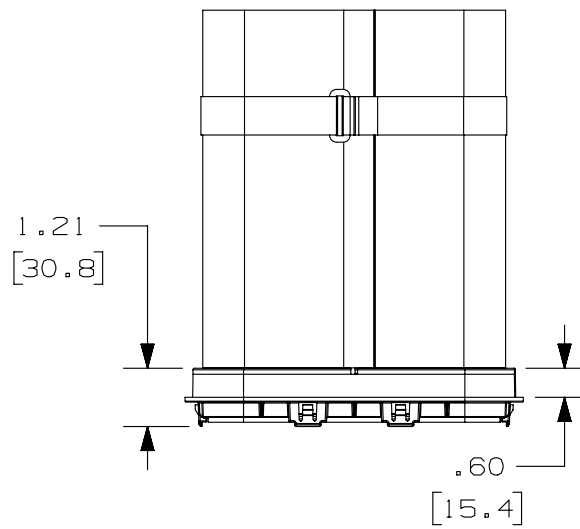
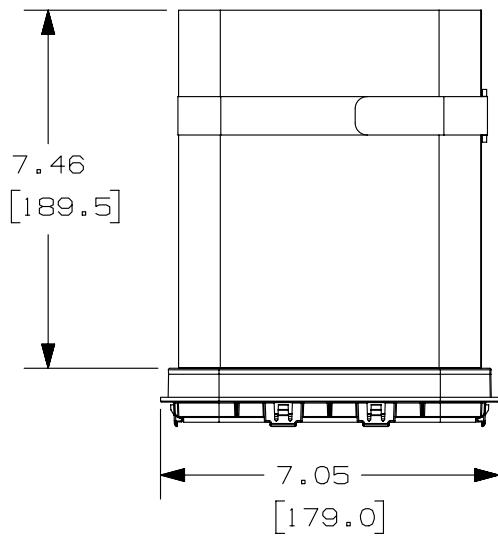
THIS COPY IS PROVIDED ON A RESTRICTED BASIS AND IS NOT TO BE USED IN ANY WAY DETRIMENTAL TO THE INTERESTS OF PANDUIT CORP.



NOTES:

1. FOR USE WITH NET-ACCESS CABINETS
2. USED TO SEAL OFF 6.5" X 6.5" CABINET TOP OPENINGS WHEN CABLES ARE ROUTED THROUGH THE TOP OF THE CABINET.+
3. FINISH COLOR: BLACK
4. DIMENSION IN PARENTHESES ARE IN METRIC

| PANDUIT PART NUMBER | WEIGHT |
|---------------------|----------------------------------|
| CTGN6X6 | .35 LBS/EACH 160.4 GRAMS/EACH |



| REV | DATE | BY | CHK | APR | DESCRIPTION | ECN |
|-----|----------|-----|-----|-----|------------------------|-------------|
| 1 | 03-12-13 | SSP | DWR | RN | RELEASED TO PRODUCTION | 12D308AA-DC |
| R | 08-21-12 | SSP | DWR | | DRAWING RELEASED | |

| | |
|--|------------------------------|
| TITLE 6.5" X 6.5" CABLE PROTECTION BEZEL AND COOL BOOT AIR SEALING FITTING (CTGN6X6) | |
| CUSTOMER DRAWING | |
| ITEM REVISION NAME 12D308AA/00 | PANDUIT TM |
| DATASET FILE NAME 12D308AA_DC/00B CTGN6X6 | |
| UNLESS OTHERWISE SPECIFIED, DIMENSIONAL TOLERANCES ARE: IN (mm) | |
| .X ± .XX ± .03 [.8] | .XXX ± ANGLES ± |
| THIRD ANGLE PROJECTION | |
| DRAWN BY SSP | DATE 08-21-12 |
| CHK DWR | SCALE NONE |
| DRAWING NUMBER: 12D308AA-DC | |
| SHT 1 OF 1 | |
| SIZE A | |

D10100DA/12

2

1

2

1