



Chipsmall Limited consists of a professional team with an average of over 10 year of expertise in the distribution of electronic components. Based in Hongkong, we have already established firm and mutual-benefit business relationships with customers from,Europe,America and south Asia,supplying obsolete and hard-to-find components to meet their specific needs.

With the principle of “Quality Parts,Customers Priority,Honest Operation,and Considerate Service”,our business mainly focus on the distribution of electronic components. Line cards we deal with include Microchip,ALPS,ROHM,Xilinx,Pulse,ON,Everlight and Freescale. Main products comprise IC,Modules,Potentiometer,IC Socket,Relay,Connector.Our parts cover such applications as commercial,industrial, and automotives areas.

We are looking forward to setting up business relationship with you and hope to provide you with the best service and solution. Let us make a better world for our industry!



Contact us

Tel: +86-755-8981 8866 Fax: +86-755-8427 6832

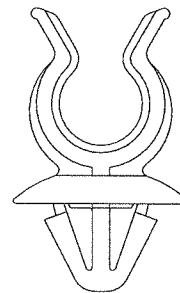
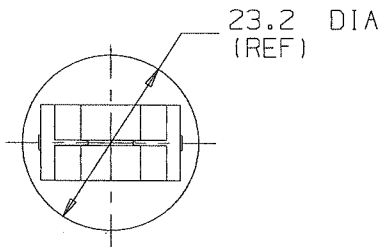
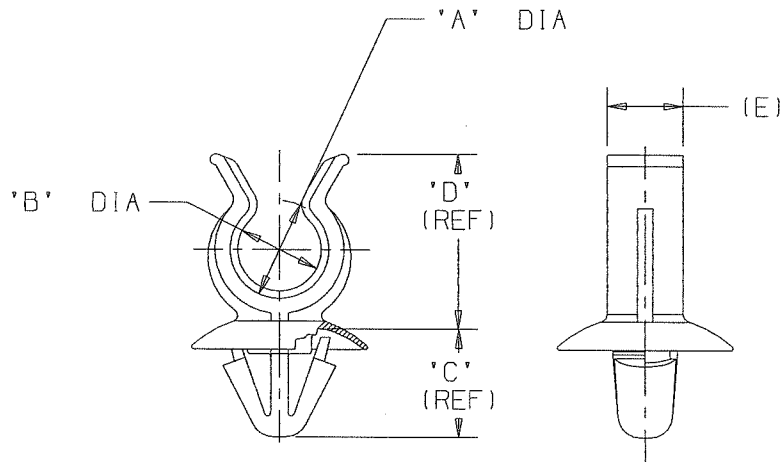
Email & Skype: info@chipsmall.com Web: www.chipsmall.com

Address: A1208, Overseas Decoration Building, #122 Zhenhua RD., Futian, Shenzhen, China



THIS COPY IS PROVIDED ON A RESTRICTED BASIS AND IS NOT TO BE USED IN ANY WAY DETRIMENTAL TO THE INTERESTS OF PANDUIT CORPORATION.

PANDUIT PART NO.	NOMINAL DIAMETER	DIMENSIONS					WEIGHT	
		'A'	'B'	'C'	'D'	'E'	grams	100 pcs
CTH87U22-...30	22	25.4	22.7	14.3	34.2	12.0	405	
CTH62U17-...30	17	21.2	17.9		34.0		376	
CTH50U13-...30	13	15.8	13.7		27.0		248	
CTH38U10-...30	10	13.0	11.0		23.2	10.0	220	
CTH35U08-...30	8.5	11.7	9.4		21.7		197	
CTH19U04-...30	4.5	7.1	5.1		14.2		153	



NOTES:

- SEE CURRENT PRICE SHEET FOR PART NUMBER SUFFIX DESIGNATION CONCERNING PACKAGE SIZE, PART MATERIAL AND PART COLOR.
- MATERIAL: HEAT STABILIZED NYLON 6/6
COLOR: BLACK
- DIMENSIONAL VARIANCE IS POSSIBLE DUE TO MOLDING PROCESS RELATED SINK MARKS.
- PANEL THICKNESS: 2.0 - 3.2
HOLE DIAMETER: 8.8 - 11.0

CAD FILENAME/LAYERS	G01932BP_PB_CTHMNTS_06	
PANDUIT CORP.	TINLEY PARK, ILLINOIS	
CTH__U__ CORRUGATED TUBING HOLDER WITH PUSH MOUNT AND UMBRELLA		
UNLESS OTHERWISE SPECIFIED, ALL DIMENSIONS ARE METRIC TOLERANCE: ±0.5		

REV	DATE	BY	CHK	DESCRIPTION	ECN	R	CUST	SUP	CHK'D	DRAWN BY	MAT'L	SCALE	DRAWING NO.	DWG SIZE
6	6-11-07	TMSA	RR	ADDED "E" DIMENSIONS	GB1932BP	6	KUN			MLD		NONE		
5	10-24-05	TMSA		REMOVED HEIGHT REF DIMENSION	GB1932BP	5				DATE	10-6-98		SEE NOTE 2	
													GB1932BP	A