



Chipsmall Limited consists of a professional team with an average of over 10 year of expertise in the distribution of electronic components. Based in Hongkong, we have already established firm and mutual-benefit business relationships with customers from,Europe,America and south Asia,supplying obsolete and hard-to-find components to meet their specific needs.

With the principle of “Quality Parts,Customers Priority,Honest Operation,and Considerate Service”,our business mainly focus on the distribution of electronic components. Line cards we deal with include Microchip,ALPS,ROHM,Xilinx,Pulse,ON,Everlight and Freescale. Main products comprise IC,Modules,Potentiometer,IC Socket,Relay,Connector.Our parts cover such applications as commercial,industrial, and automotives areas.

We are looking forward to setting up business relationship with you and hope to provide you with the best service and solution. Let us make a better world for our industry!



## Contact us

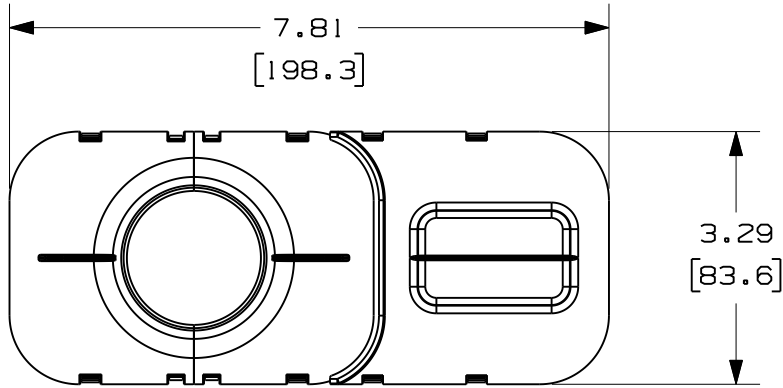
Tel: +86-755-8981 8866 Fax: +86-755-8427 6832

Email & Skype: info@chipsmall.com Web: www.chipsmall.com

Address: A1208, Overseas Decoration Building, #122 Zhenhua RD., Futian, Shenzhen, China



THIS COPY IS PROVIDED ON A RESTRICTED BASIS AND IS NOT TO BE USED IN ANY WAY DETRIMENTAL TO THE INTERESTS OF PANDUIT CORP.



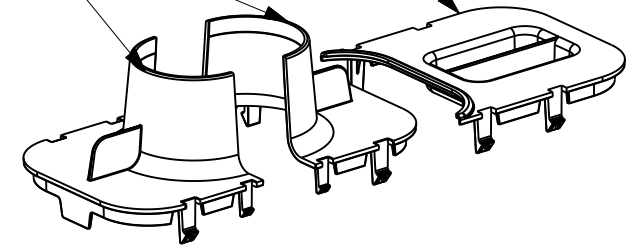
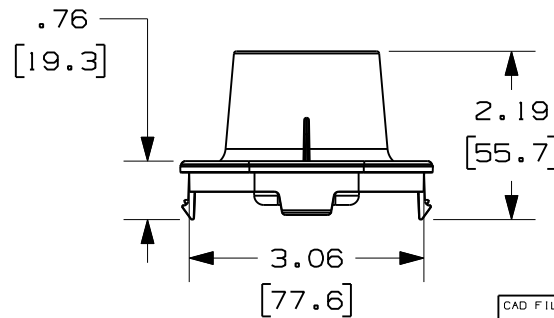
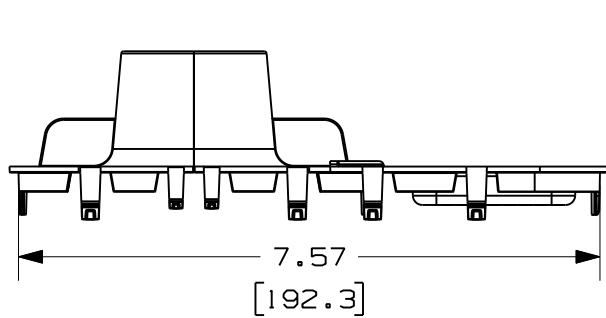
PANDUIT PART NUMBER	WEIGHT
CTIDT15	9.95 G / EACH .02 LBS / EACH

**NOTES:**

1. PANDUIT PART NUMBER CTIDT15 INCLUDES:  
ONE (1) CABINET TOP AIR SEALING FIBER OPTIC FILLER PANEL.  
TWO (2) CABINET TOP AIR SEALING FIBER OPTIC FITTINGS.
2. FOR USE WITH BOTH Net-SERV™ and Net-Access™ CABINETS.
3. USED TO TRANSITION 1.5" (38MM) DIAMETER SLIT CORRUGATED TUBING DIRECTLY INTO A 3" X 8" OR 3" X 5" CABINET TOP OPENING.
4. DIMENSIONS IN PARENTEHESES ARE METRIC.

CABINET TOP AIR SEALING FIBER OPTIC FILLER PANEL

CABINET TOP AIR SEALING FIBER OPTIC FITTINGS



CAD FILENAME/LAYERS 09D043AH\_DC/ 00 CTIDT15

PANDUIT CORP. TINLEY PARK, ILLINOIS

CABINET TOP AIR SEALING FIBER OPTIC FITTING (CTIDT15) CUSTOMER DRAWING

UNLESS OTHERWISE SPECIFIED, DIMENSIONAL TOLERANCES ARE:  
(.X) ± (.XXX) ±  
(.XX) ± .03 (1.8) ANGLES ±

UNLESS OTHERWISE SPECIFIED, ALL DIMENSIONS ARE GIVEN IN INCHES, THIRD ANGLE PROJECTION.

DRAWN BY JAHA

MAT'L:

SCALE NONE

DATE 01/13/10

ABS

DRAWING NO.

DWG A SIZE

R	1-13-10	JAHA	EB	RELEASED TO PRODUCTION	09D043AH	RN	RN
---	---------	------	----	------------------------	----------	----	----

REV	DATE	BY	CHK	DESCRIPTION	ECN	R	CUST	SUP
-----	------	----	-----	-------------	-----	---	------	-----

CHK'D EB

09D043AH-DC