



Chipsmall Limited consists of a professional team with an average of over 10 year of expertise in the distribution of electronic components. Based in Hongkong, we have already established firm and mutual-benefit business relationships with customers from,Europe,America and south Asia,supplying obsolete and hard-to-find components to meet their specific needs.

With the principle of "Quality Parts,Customers Priority,Honest Operation,and Considerate Service",our business mainly focus on the distribution of electronic components. Line cards we deal with include Microchip,ALPS,ROHM,Xilinx,Pulse,ON,Everlight and Freescale. Main products comprise IC,Modules,Potentiometer,IC Socket,Relay,Connector.Our parts cover such applications as commercial,industrial, and automotives areas.

We are looking forward to setting up business relationship with you and hope to provide you with the best service and solution. Let us make a better world for our industry!



## Contact us

Tel: +86-755-8981 8866 Fax: +86-755-8427 6832

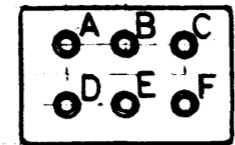
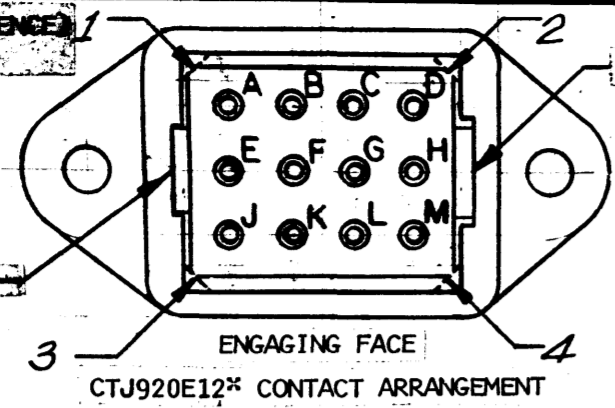
Email & Skype: info@chipsmall.com Web: www.chipsmall.com

Address: A1208, Overseas Decoration Building, #122 Zhenhua RD., Futian, Shenzhen, China

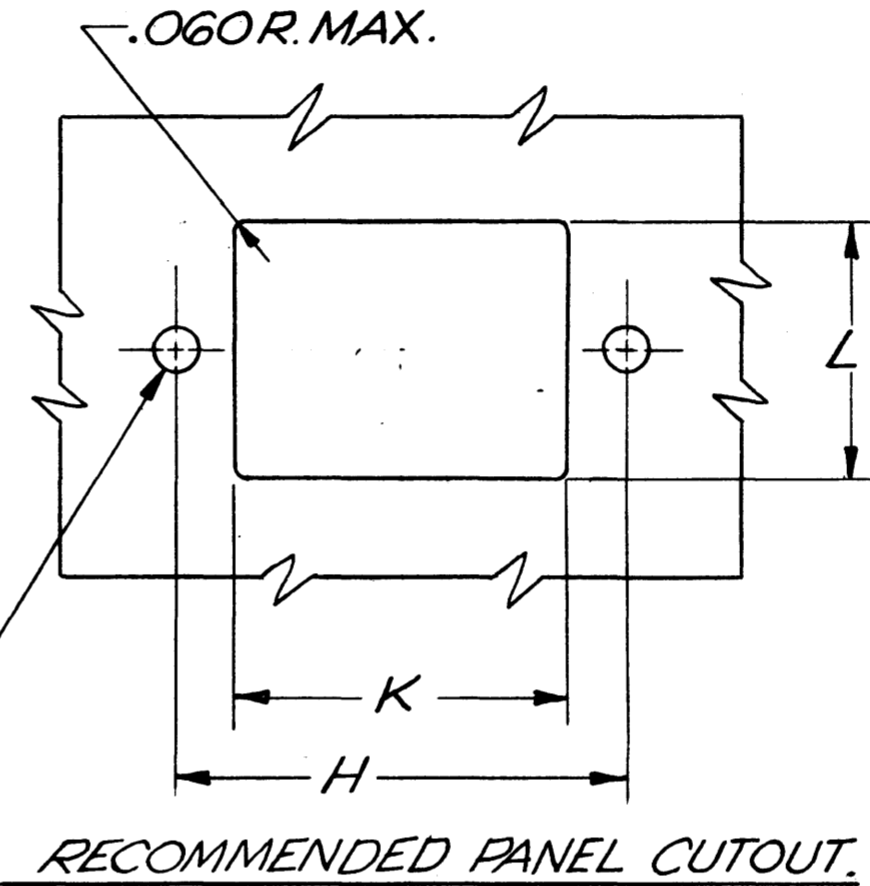
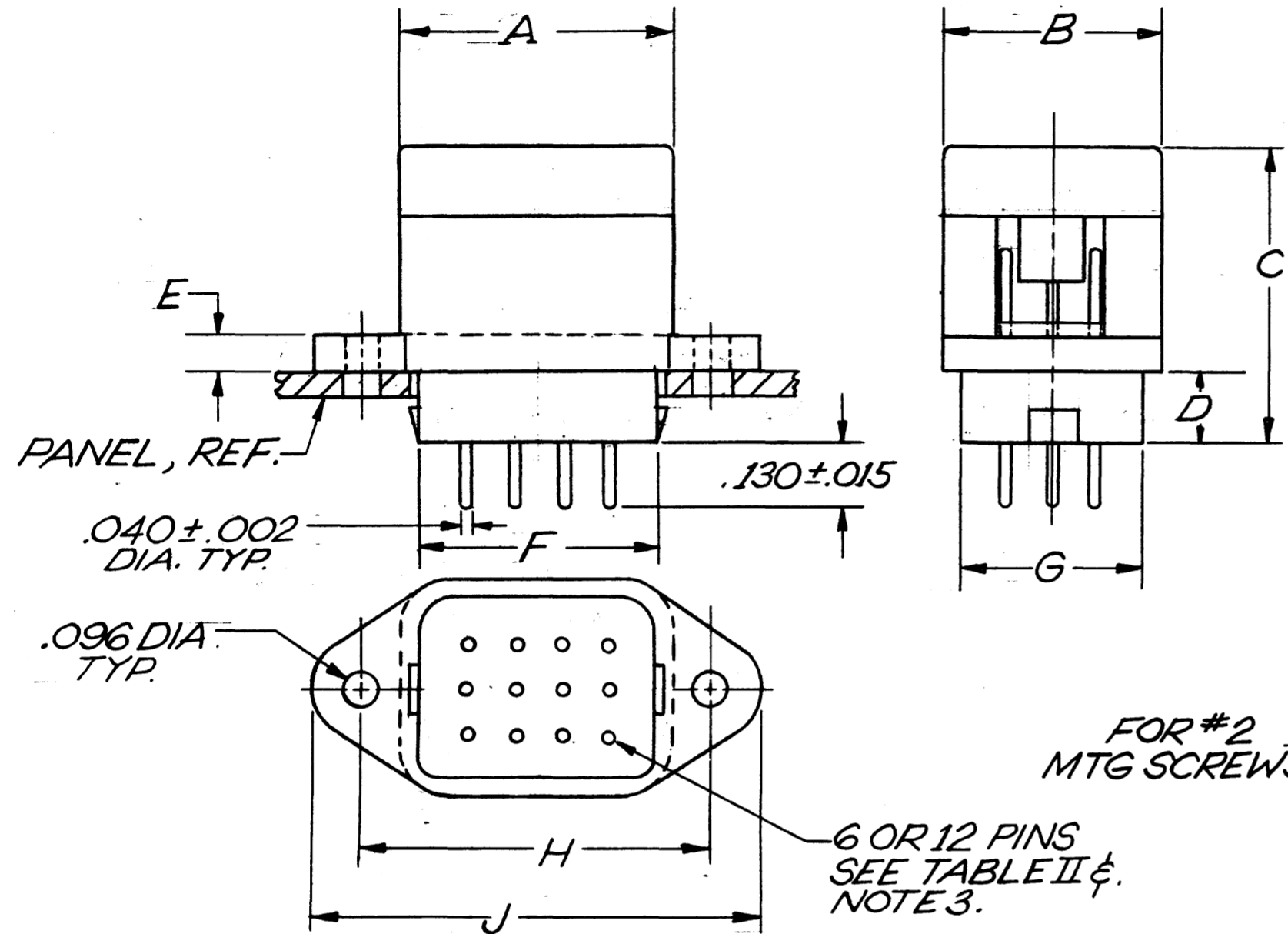


7 6 5 4 ↓ 3 2 1

45° ANGLE (REFERENCE) / SEE TABLE I.



REVISIONS			
SYM	DESCRIPTION	DATE	APPROVED
A	REVISED & REDRAWN. E.O. 81099	2-4-76	JDM
B	REVISED PER E.O. 82118.	5-10-76	Ran. H.
C	REVISED PER E.O. 81911.	7-19-76	JDM
D	REVISED PER E.O. 82263	7-7-78	Vb



REV D CTJ920E\*\*\*

7. EXPLANATION OF PART NUMBER: CTJ 9 20 E \*\*\* \*\*

BASIC IDENTIFIER —————

RECEPTACLE MODULE —————

CONTACT SIZE (20) —————

ENVIRONMENTAL —————

NUMBER OF CONTACTS —————

06 = 6

12 = 12

KEYING POSITION PROVIDED WITH 2 45° CORNERS (REF DASHED LINES) AT INDICATED LOCATIONS ON ENGAGING FACE VIEW AND TABLE I.

N STANDARD

1 THRU 3, ALTERNATE (CONSULT FACTORY)

TABLE II.

PART N <sup>o</sup>	NUMBER OF CONTACTS	A ± .030	B ± .030	C ± .030	D ± .010	E ± .010	F	G	H	J ± .030	K	L
CTJ920E06*	6	.650	.470	.750	.200	.100	.550	.360	.880	1.100	.600	.380
CTJ920E12*	12	.770	.620	.750	.200	.100	.670	.510	1.000	1.300	.740	.530

TABLE I

KEYING POSITION	45° ANGLE LOCATIONS
N	1 & 2
1	3 & 4
2	1 & 3
3	2 & 4

6. MODULE UNMATING TOOL, PART NUMBER CTJ-R00, TO BE ORDERED SEPARATELY.

5. MODULES MEET APPLICABLE PERFORMANCE REQUIREMENTS OF MIL-C-83723, REV B, EXCEPT AS FOLLOWS:  
 CONTACT ENGAGING & SEPARATION FORCES (INITIAL):  
 18 OZ MAX/.7 OZ. MIN.

#20 SOCKET CONTACT RETENTION FORCES: 15 LBS. MIN. (AXIAL)  
 USABLE WIRE SIZE: AWG 20 THRU 24.  
 GROMMET WILL SEAL ON SMOOTH INSULATION FROM .040 TO .083" O.D.  
 MODULE MATING FORCE: 6 CONTACT - 19 LBS. MAX., 12 CONTACT - 26 LBS. MAX.

4. MATERIAL: HOUSING: PLASTIC, GASKET: SILICONE ELASTOMER, CONTACTS: COPPER ALLOY, COVER: COPPER ALLOY.

3. CONTACT CENTER TO CENTER SPACING .130

2. DIMENSIONS ARE SPECIFIED IN INCHES.

1. MATES WITH MODULE, PLUG, DEUTSCH PART NUMBER CTJ620E\*\*\*\*.

NOTE:

TOLERANCES UNLESS OTHERWISE SPECIFIED DIMENSIONS: .XXX ± .005 ANGLES: ± 0° 30' 0" TYP. .010 PARTS TO BE FREE OF BURRS AND SHARP EDGES	SIGNATURE & DATE		MODULE ASSEMBLY RECEPTACLE COMPLETE TERMINATION JUNCTION 6 & 12 PINS ENVELOPE	CP	MATL CODE
	DR	<i>Ran. von Heusinger 2-4-76</i>		The Deutsch Company ELECTRONIC COMPONENTS DIVISION Municipal Airport Banning, California	
	CHK	<i>Ran. von Heusinger 2-4-76</i>		C	CTJ920E***
	PE	<i>J. MAC DONALD 2-4-76</i>			
MATERIAL	SEE NOTE 4.		APPD	SCALE	WT

7 6 5 4 ↑ 3 2 1