



Chipsmall Limited consists of a professional team with an average of over 10 year of expertise in the distribution of electronic components. Based in Hongkong, we have already established firm and mutual-benefit business relationships with customers from,Europe,America and south Asia,supplying obsolete and hard-to-find components to meet their specific needs.

With the principle of “Quality Parts,Customers Priority,Honest Operation,and Considerate Service”,our business mainly focus on the distribution of electronic components. Line cards we deal with include Microchip,ALPS,ROHM,Xilinx,Pulse,ON,Everlight and Freescale. Main products comprise IC,Modules,Potentiometer,IC Socket,Relay,Connector.Our parts cover such applications as commercial,industrial, and automotives areas.

We are looking forward to setting up business relationship with you and hope to provide you with the best service and solution. Let us make a better world for our industry!



## Contact us

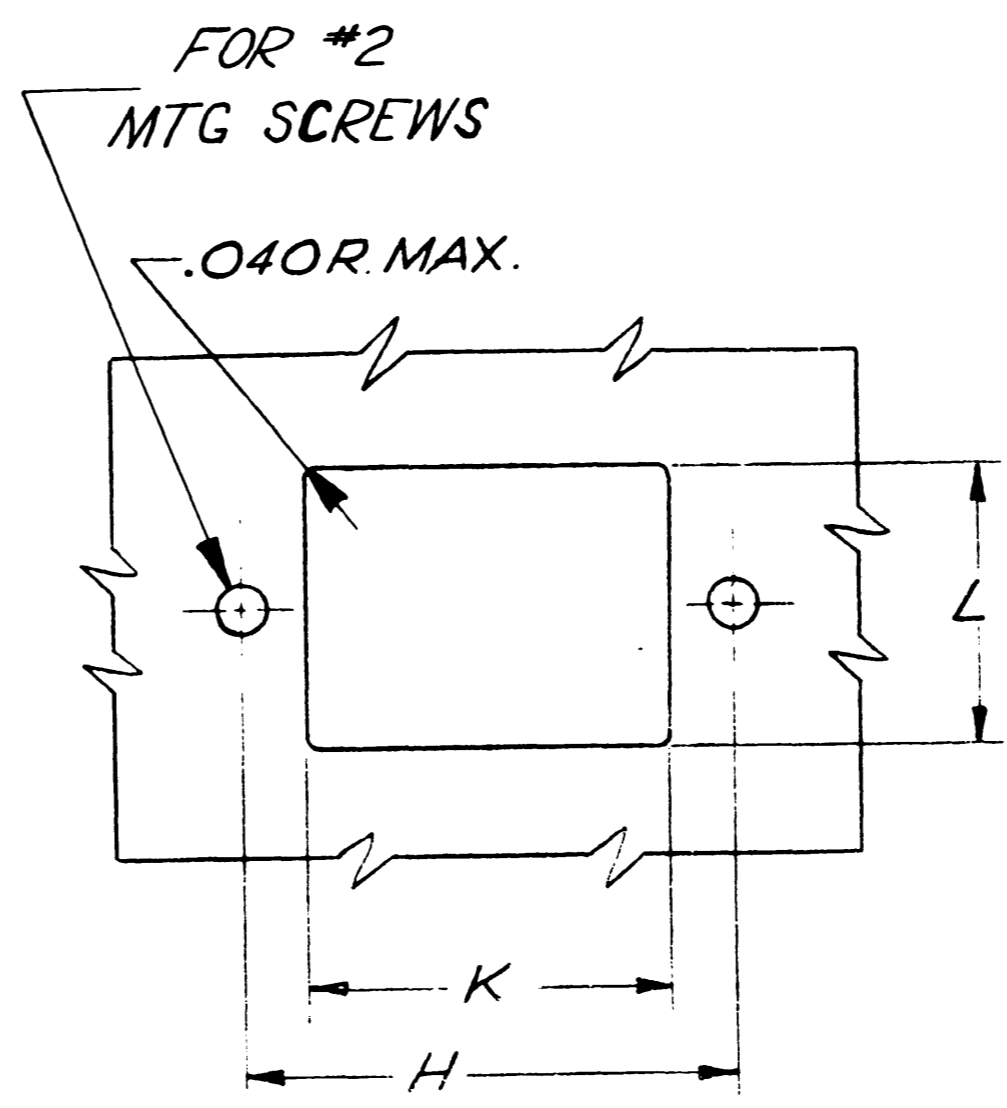
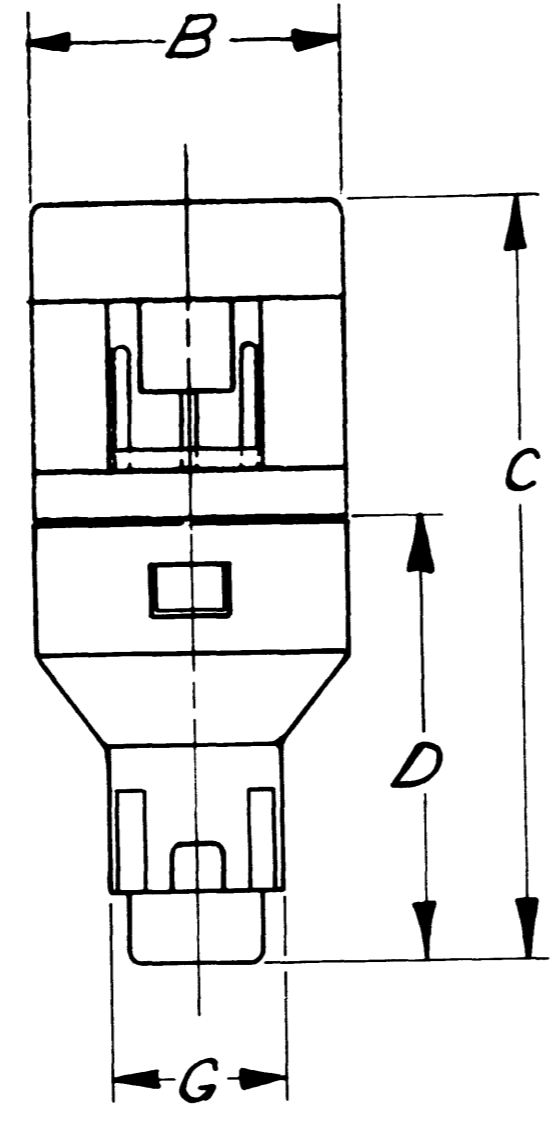
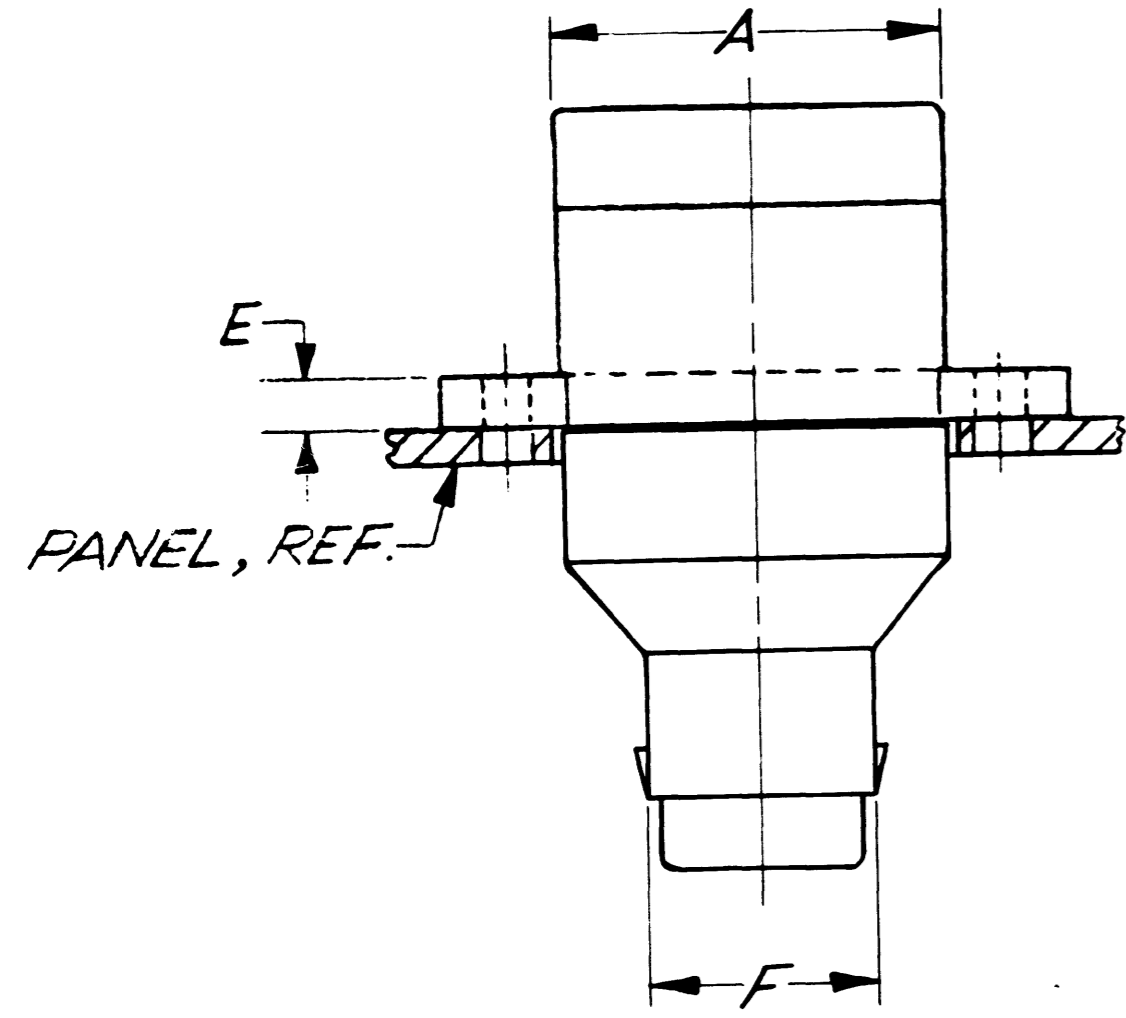
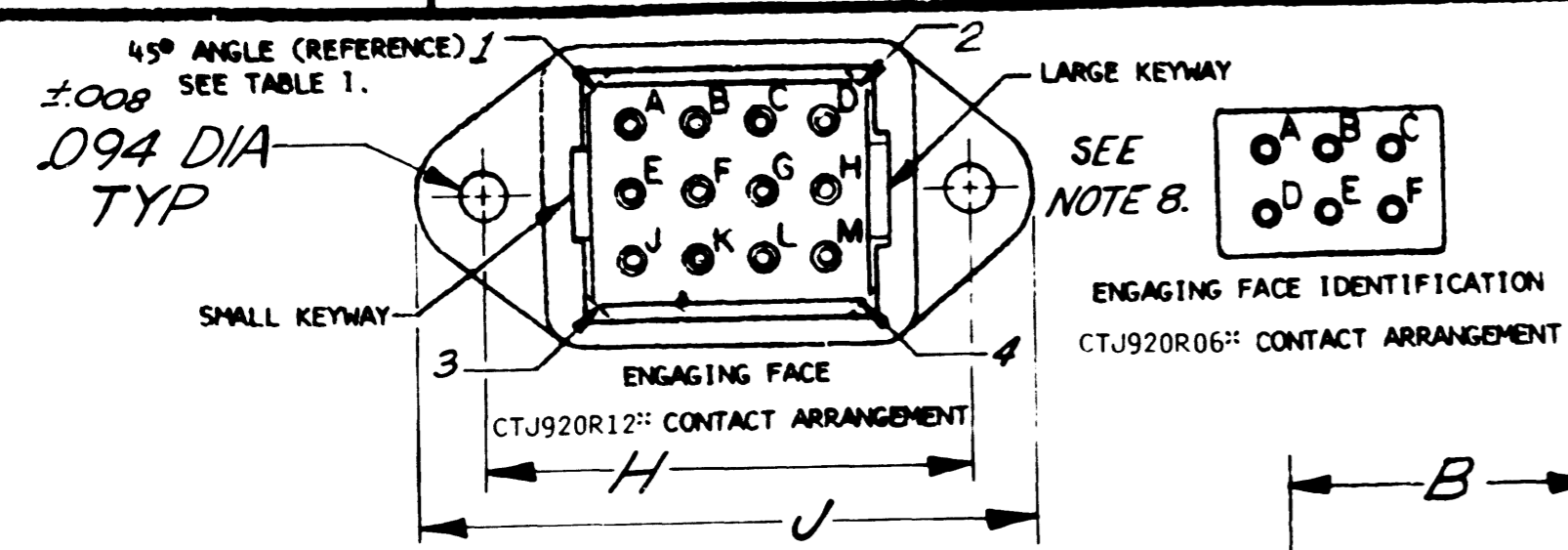
Tel: +86-755-8981 8866 Fax: +86-755-8427 6832

Email & Skype: info@chipsmall.com Web: www.chipsmall.com

Address: A1208, Overseas Decoration Building, #122 Zhenhua RD., Futian, Shenzhen, China



REVISIONS			
REV	DESCRIPTION	DATE	APPROVED
N/C	NEW RELEASE PER E.O. 81912	8/16/76	JDM



RECOMMENDED PANEL CUTOUT.

REV N/C CTJ920R\*\*\*

8. CONTACT IDENTIFICATION LETTERS ARE SHOWN FOR REFERENCE ONLY AND MAY NOT NECESSARILY BE IN TRUE POSITION. GROMMET IDENTIFICATION IS APPROXIMATELY OPPOSITE.
7. EXPLANATION OF PART NUMBER: CTJ 9 20 R \*\*\* \*\*
- BASIC IDENTIFIER
  - RECEPTACLE MODULE
  - CONTACT SIZE (20)
  - REAR ENVIRONMENTAL ASSEMBLY
  - NUMBER OF CONTACTS
- 06 = 6  
12 = 12 (CONSULT FACTORY FOR AVAILABILITY)
- KEYING POSITION PROVIDED WITH 2 45° CORNERS (REF DASHED LINES) AT INDICATED LOCATIONS ON ENGAGING FACE VIEW AND TABLE I.  
N STANDARD  
1 THRU 3, ALTERNATE (CONSULT FACTORY)
6. MODULE UNMATING TOOL, PART NUMBER CTJ-R00, TO BE ORDERED SEPARATELY.

TABLE II.

PART N <sup>o</sup>	NUMBER OF CONTACTS	A±.030	B±.030	C MAX	D MAX	E±.010	F	G	H	J±.030	K	L
CTJ920R06*	6	.650	.470	1.525	1.000	.100	.458	.348	.880	1.180	.665	.485
CTJ920R12*	12	.770	.620	1.525	1.000	.100	.580	.488	1.000	1.300	.785	.635

TABLE I

KEYING POSITION	45° ANGLE LOCATIONS
N	1 & 2
1	3 & 4
2	1 & 3
3	2 & 4

5. MODULES MEET APPLICABLE PERFORMANCE REQUIREMENTS OF MIL-C-83723, REV B, EXCEPT AS FOLLOWS:  
CONTACT ENGAGING & SEPARATION FORCES (INITIAL):  
18 OZ MAX/.7 OZ. MIN.
- #20 SOCKET CONTACT RETENTION FORCES: 15 LBS. MIN. (AXIAL)  
USABLE WIRE SIZE: AWG 20 THRU 24.  
GROMMET WILL SEAL ON SMOOTH INSULATION FROM .040 TO .083" O.D.  
MODULE MATING FORCE: 6 CONTACT - 19 LBS. MAX., 12 CONTACT - 26 LBS. MAX.

4. MATERIAL: HOUSING: PLASTIC, GROMMET: SILICONE ELASTOMER, CONTACTS: COPPER ALLOY, COVER: COPPER ALLOY.
3. CONTACT CENTER TO CENTER SPACING .130
2. DIMENSIONS ARE SPECIFIED IN INCHES.
1. MATES WITH MODULE, PLUG, DEUTSCH PART NUMBER CTJ620E\*\*\*.

NOTE:

TOLERANCES UNLESS OTHERWISE SPECIFIED DIMENALS: XXX ± .008 ANGLES: ± 0° 30' 0"	SIGNATURE & DATE
MATERIAL SEE NOTE 4.	DR Don S... 8-2-76
FINISH	CHK Ron... 8/16/76
	PE W.McD... 8-16-76
	APPD
	SCALE WT

MODULE ASSEMBLY  
RECEPTACLE  
WITH REAR ENVIRONMENTAL  
ASSEMBLY  
6 & 12 PINS  
ENVELOPE

CP	MATL CODE
The Deutsch Company ELECTRONIC COMPONENTS DIVISION Municipal Airport Banning, California	
C	CTJ920R***
DWG SIZE	CODE 11135 SHEET 1 OF 1