



Chipsmall Limited consists of a professional team with an average of over 10 year of expertise in the distribution of electronic components. Based in Hongkong, we have already established firm and mutual-benefit business relationships with customers from,Europe,America and south Asia,supplying obsolete and hard-to-find components to meet their specific needs.

With the principle of "Quality Parts,Customers Priority,Honest Operation,and Considerate Service",our business mainly focus on the distribution of electronic components. Line cards we deal with include Microchip,ALPS,ROHM,Xilinx,Pulse,ON,Everlight and Freescale. Main products comprise IC,Modules,Potentiometer,IC Socket,Relay,Connector.Our parts cover such applications as commercial,industrial, and automotives areas.

We are looking forward to setting up business relationship with you and hope to provide you with the best service and solution. Let us make a better world for our industry!



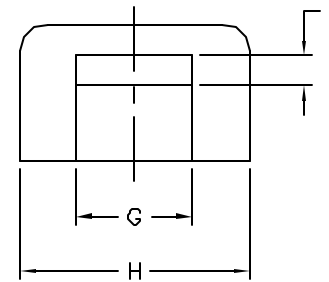
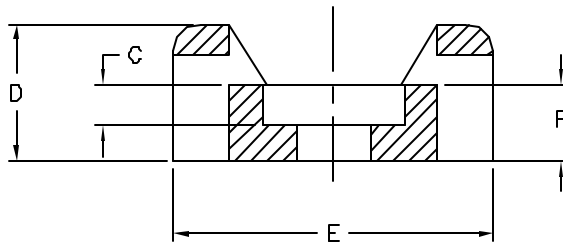
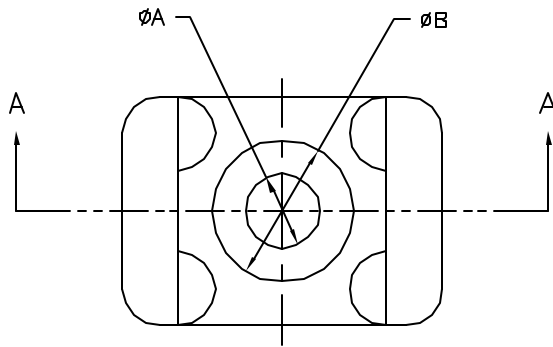
## Contact us

Tel: +86-755-8981 8866 Fax: +86-755-8427 6832

Email & Skype: info@chipsmall.com Web: www.chipsmall.com

Address: A1208, Overseas Decoration Building, #122 Zhenhua RD., Futian, Shenzhen, China





SECTION A-A

REDUCED  
NO SCALE

J±.010	H±.020	G±.010	F±.010	E±.020	D±.010	C±.010	B±.010	A±.010	MOUNTING SCREW SIZE	CABLE TIE SERIES	PART NUMBER
.081	.616	.307	.210	.864	.372	.148	.499	.258	1/4"	T18 THRU T120	CTM4
.082	.609	.305	.207	.858	.374	.114	.381	.195	#10	T18 THRU T120	CTM3
.073	.605	.305	.208	.857	.372	.114	.380	.176	#8	T18 THRU T120	CTM2
.056	.370	.201	.147	.579	.266	.098	.327	.187	#8	T18 THRU T50	CTM1
.056	.375	.202	.148	.578	.266	.098	.327	.150	#6	T18 THRU T50	CTMD

INVENTORS	<b>HellermannTyton</b>		NOTES	REVISION	level	DIMENSIONS	.XXXX =	PART	number SEE CHART	phase PRODUCTION	DRAWING	number 0	date 07/09/07	revision number
	ALL PROPRIETARY RIGHTS IN THE SUBJECT MATTER SHOWN ON THIS DRAWING ARE EXCLUSIVE PROPERTY OF HELLERMANN TYTON				date 07/09/07		.XXX = NOTED		name CTM SERIES	number MT2003100_03		revision number		
	name	date			city, state		.XX =		CABLE TIE MOUNTS			number 01/21/01	date 07/09/07	revision number
							.X =		material  PA66; PA66VD; PA66HIRHS	number 07/09/07		date 07/09/07	revision number	
				ECN # 010797	unless otherwise specified	units inches					series	sheet 1 of 1	number MT2003100SER	