



Chipsmall Limited consists of a professional team with an average of over 10 year of expertise in the distribution of electronic components. Based in Hongkong, we have already established firm and mutual-benefit business relationships with customers from,Europe,America and south Asia,supplying obsolete and hard-to-find components to meet their specific needs.

With the principle of "Quality Parts,Customers Priority,Honest Operation,and Considerate Service",our business mainly focus on the distribution of electronic components. Line cards we deal with include Microchip,ALPS,ROHM,Xilinx,Pulse,ON,Everlight and Freescale. Main products comprise IC,Modules,Potentiometer,IC Socket,Relay,Connector.Our parts cover such applications as commercial,industrial, and automotives areas.

We are looking forward to setting up business relationship with you and hope to provide you with the best service and solution. Let us make a better world for our industry!



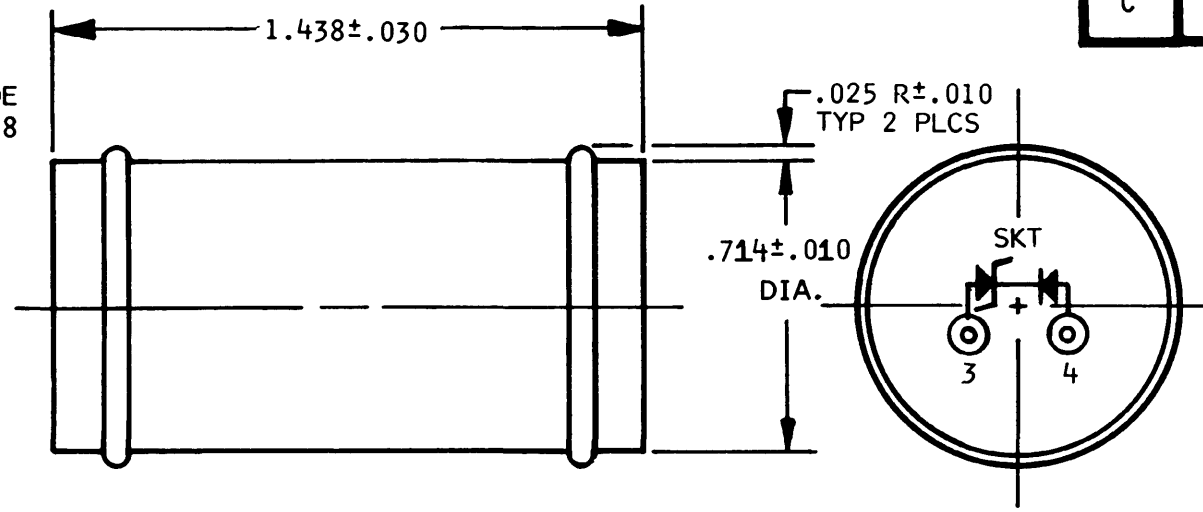
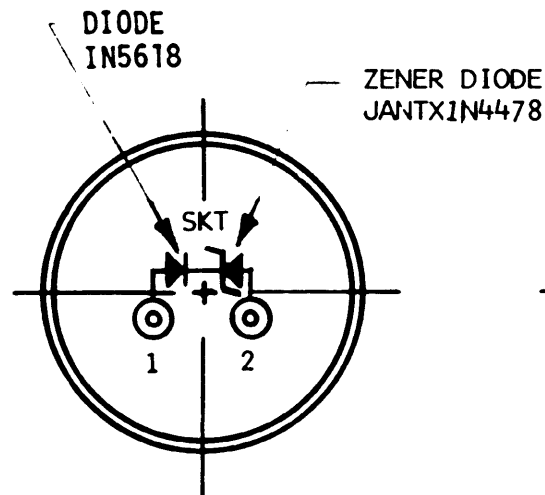
Contact us

Tel: +86-755-8981 8866 Fax: +86-755-8427 6832

Email & Skype: info@chipsmall.com Web: www.chipsmall.com

Address: A1208, Overseas Decoration Building, #122 Zhenhua RD., Futian, Shenzhen, China





C CTN20D0002

REVISIONS			
SYM	DESCRIPTION	DATE	APPROVED
N/C	NEW RELEASE PER E.O. 83197	9/22/77	DA G
A	CHANGED PER E.O. 85150	1/18/78	JDW
B	REVISED PER E.O. 85755	11-13-78	m.h.
C	REVISED PER E.O. A0811	11/9/83	JJ

- 7. DIODE (1) JANTX IN5618
OPERATING TEMPERATURE: -85°F TO 347°F (-65°C TO 175°C)
PIV 600V ————— IR 1.0
- 6. ZENER DIODE: (1) JANTX 1N4478
- 5. MATERIALS & FINISHES:
COVER - SILICONE ELASTOMER
HOUSING - PLASTIC
CONTACTS - COPPER ALLOY - GOLD PLATED
- 4. FOR CONTACT DATA SEE ENVELOPE DRAWING 1625-1-0000.
- 3. REQUIRES INSERTION/REMOVAL TOOL NO. M15570-20.
- 2. THE CIRCUIT IDENTIFICATION WILL BE SCREENED ON MODULE APPROXIMATELY AS SHOWN.
- 1. DIMENSIONS ARE IN INCHES, UNLESS OTHERWISE SPECIFIED.

NOTE:

	SIGNATURE & DATE
DR	C. Aguilar 9-22-77
CHK	D. Garcia 10/7/77
PE	D. Garcia 10/7/77
APPD	M. J. D. 10-10-77
SCALE	NONE WT —

CTN ELECTRONIC MULTI-JUNCTION
SIZE 20
ARC SUPPRESSION CIRCUIT

0002 ARR

ENVELOPE

CP	MATL CODE
The Deutsch Company ELECTRONIC COMPONENTS DIVISION Municipal Airport Banning, California	
B	CTN20D0002
DWG SIZE	CODE 11139 SHEET 1 OF 1